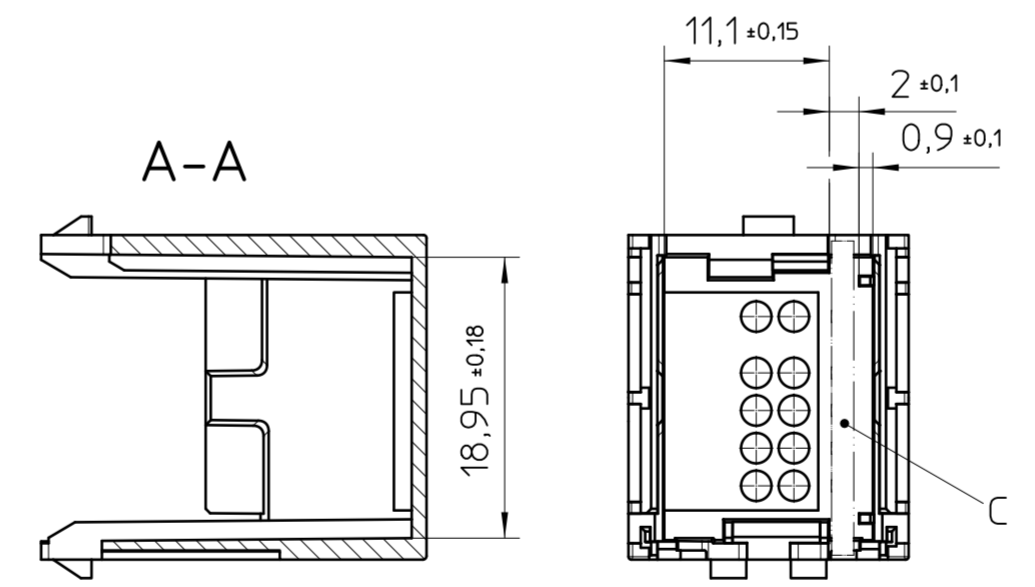
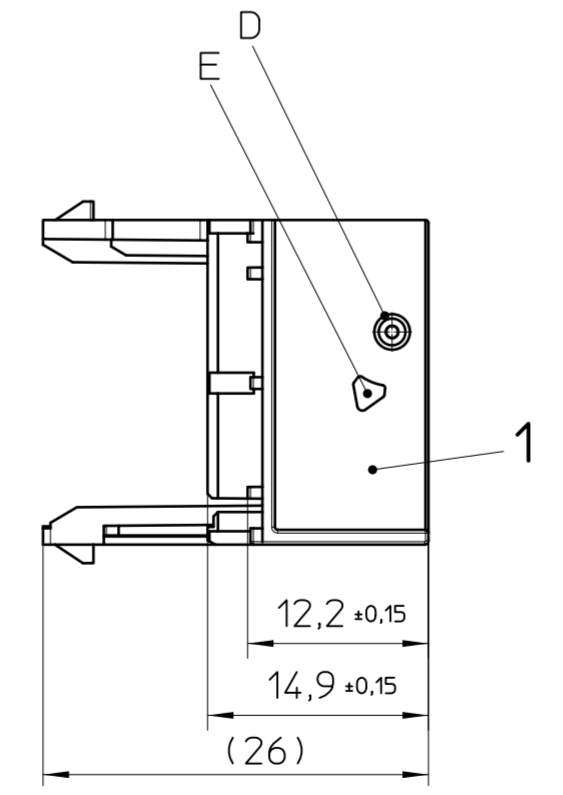
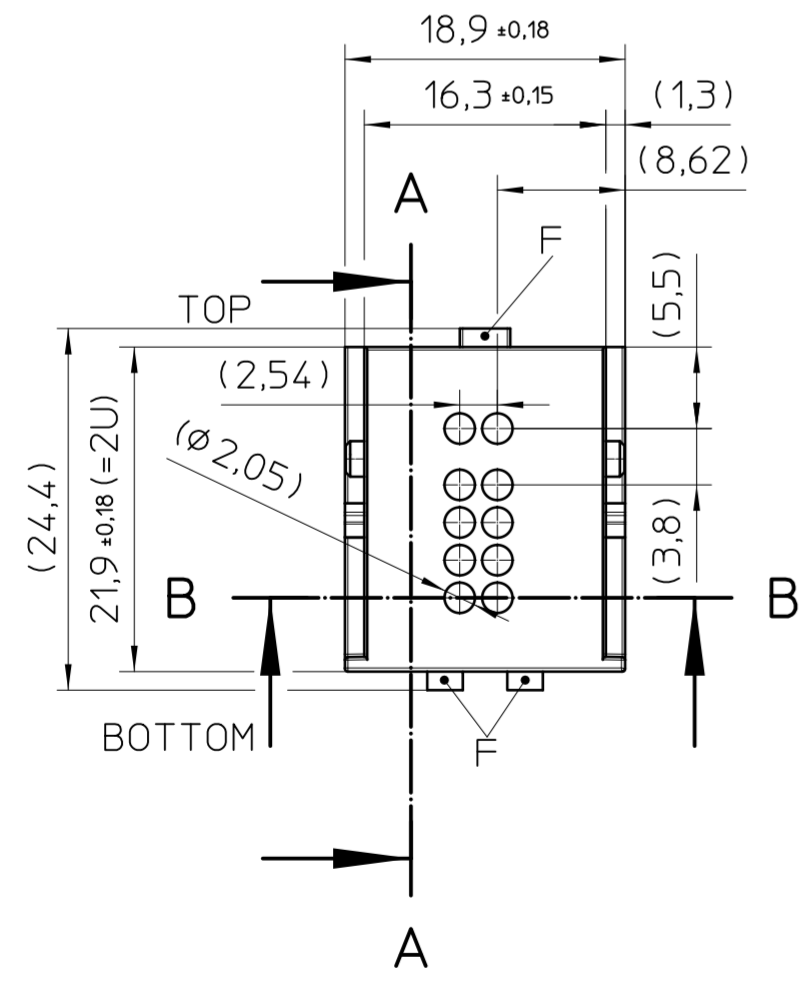


Transfer or duplication of this document as well as the utilisation or communication of its content are not permitted unless express consent is granted. Violations give rise to claims for damages. All rights reserved in case of patent, utility model or design patent registrations.

Weitergabe sowie Vervielfältigung dieses Dokuments, Verwertung und Mitteilung seines Inhalts sind verboten, soweit nicht ausdrücklich gestattet. Zuwiderhandlungen verpflichten zu Schadensersatz. Alle Rechte für den Fall der Patent-, Gebrauchsmuster- oder Designanmeldung vorbehalten.



- General Information
- Simplified representation
 - Document excluded from change process
 - Further information: www.phoenixcontact.com webcode: #0308
 - Linear dimensions [mm]
 - Tolerances apply in a normal climate according to DIN EN ISO 291-23/50-2 with about 2% (% by weight) moisture content
 - In case of distortion there is no functional impact of the single part in the application
 - Dimensions without tolerances see DIN ISO 2768-1-m

- Additional Information
- A. Frontside, printing area, consider edge radii R 0,2
 - B. Bottom side
 - C. PCB position (t=1,5)
 - D. Bearing position for Marking-Cover
 - E. Latching point between Cover and Marking-Cover
 - F. Latching point between Cover and Housing
 - G. Holes for light conductor
 - H. light guide HS LC-H-D2C/ R2XC1-2,54 (article no. 1036658)
 - I. light guide HS LC-H-D2C/ R2XC4-2,54 (article no. 1036724)
 - J. Pad for SMD-LED recommended LED.
- see separate data sheet of the respective light guide article

Pos.	QTY	description	material
1	1	COVER	PA

	document-No. / RI	date	scale
	00968265 / 06	29.04.2025	2:1
	ident.-No.	document-type	
	2202582	TECDOC 2D_Productdrawing	
page 1	of 1	description	
		ME-IO 18,8 C 2U MC10 7035	