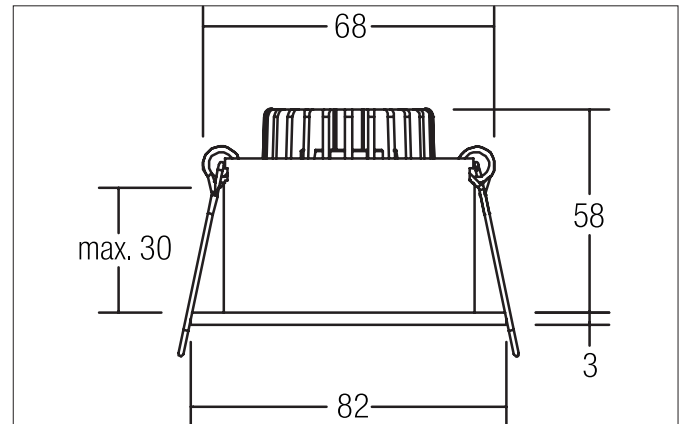
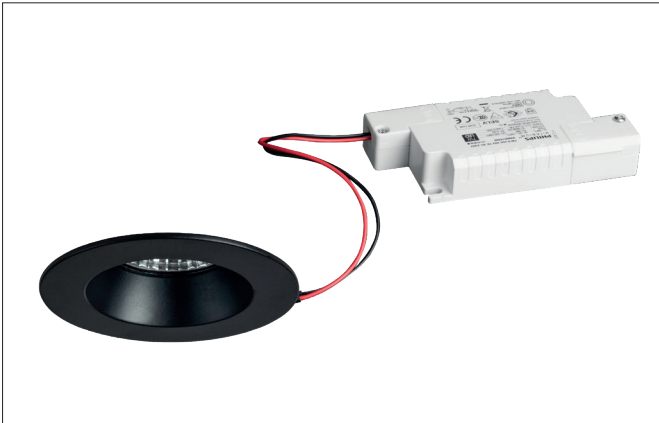


**ETMESA-R LED recessed downlight set, IP54, trailing-edge phase dimmable**

Article no. 39266083

Light.  
For Generations.**Tender**

LED recessed downlight set, IP54, trailing-edge phase dimmable, Round. Toolless ceiling installation by installation springs. Ceiling cut-out Ø 68 mm, Installation depth 58 mm, Outer diameter 82 mm, Weight 0,212 kg, Reflector silver with rotationssymmetrical, deep, wide distributed light intensity. optimal light distribution due to a glass transparent cover. Luminous flux 540 lm, Power 1 x 6 W, System Efficiency 90 lm/W, Light colour warm white, Correlated color temprature (CCT) 2.700 K, Colour rendering index CRI > 80, Housing material: Aluminium / Glass, Colour: Black, Permissible ambient temperature (ta): -20 °C - +25 °C, Protection class (EN 61140): II, Degree of protection (DIN EN 60529): IP54 when installing in closed ceilings. With electronic driver, Trailing-edge phase dimmable.

| Article data       |  |
|--------------------|--|
| Article no.        | 39266083   |
| GTIN               | 4251433952169  |
| Series name        | ETMESA-R   |
| Short description  | LED recessed downlight set, IP54, trailing-edge phase dimmable |
| Material           | Aluminium / Glass  |
| Colour             | Black  |
| Type of surface    | Matt   |
| Shape              | Round  |
| Outer diameter     | 82 mm  |
| Built-in diameter  | 68 mm  |
| Installation depth | 58 mm  |
| Hight              | 3 mm   |
| Weight             | 0.212 kg   |

**ETMESA-R LED recessed downlight set, IP54, trailing-edge phase dimmable**

Article no. 39266083

Light.  
For Generations.

| Lighting technology |            |
|---------------------|------------|
| Colour temperature  | 2.700 K    |
| Light colour        | White      |
| Light output        | Direct     |
| Luminous flux       | 540 lm     |
| System efficiency   | 90 lm/W    |
| Colour rendering    | CRI > 80   |
| Reflector           | High-gloss |
| Reflektorfarbe      | silver     |
| Beam angle          | 38°        |
| Light sharing       | Symmetric  |

| Operating technology of the luminaire |  |
|---------------------------------------|--|
| System output                         | 6 W  |
| Voltage type                          | AC   |
| AC nominal voltage max                | 230 V  |
| Frequenz max.                         | 50 Hz  |
| Lamp                                  | LED  |
| Protection class                      | II   |
| Degree of protection                  | IP54   |
| Schutzart deckenseitig                | IP20   |
| Dimmable                              | Yes  |
| Control                               | Trailing-edge phase  |
| Bulb change possible                  | The light source of this luminaire may only be replaced by the manufacturer or a service technician commissioned by him or a similarly qualified person. |

| Mounting technology         |   |
|-----------------------------|---|
| Mounting method             | Recessed mounting                         |
| Place of installation       | Ceiling-mounted                           |
| Adjustability               | Not adjustable                            |
| Max. ceiling thickness      | 30 mm                                     |
| Further references          | No cover with thermal insulation material |
| Material cover              | Glass transparent                         |
| Circlip                     | Without circlip                           |
| Suitable for through-wiring | Yes, with optional accessories            |

| Packing data            |   |
|-------------------------|---|
| Gross weight            | 0.293 kg  |
| Length of packaging     | 95 mm   |
| Packaging width         | 75 mm   |
| Packaging height        | 95 mm   |
| Disposal at end of life | This product must not be disposed of with household waste. You are obliged, to dispose of such electrical waste separately.<br>By disposing of electrical waste and other old or defective electronics separately, you support recycling or other forms of re-use. In that way you help to take care and to avoid that harmful substances get into the environment. |