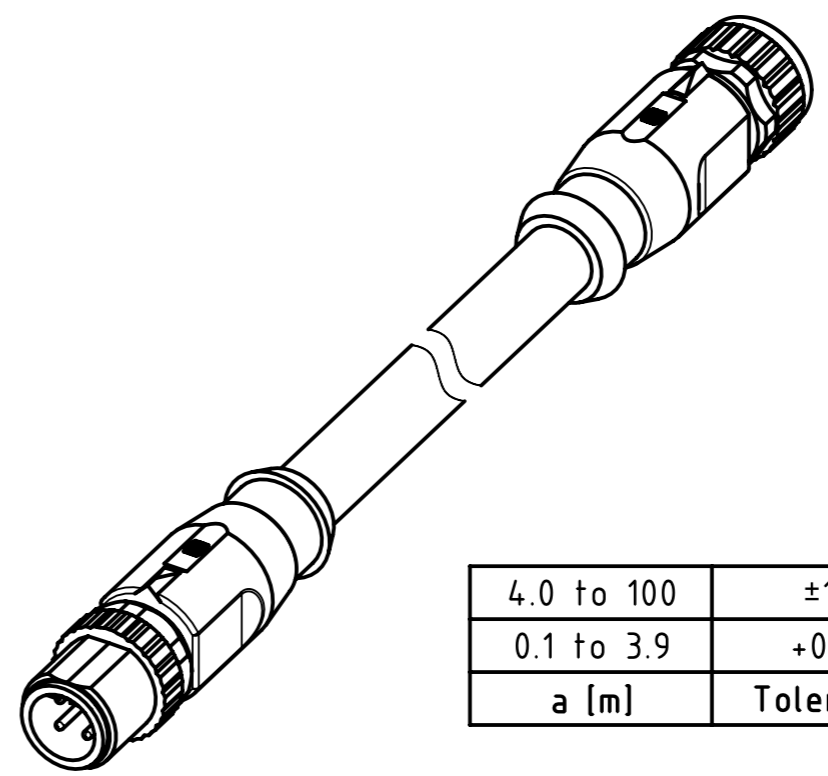
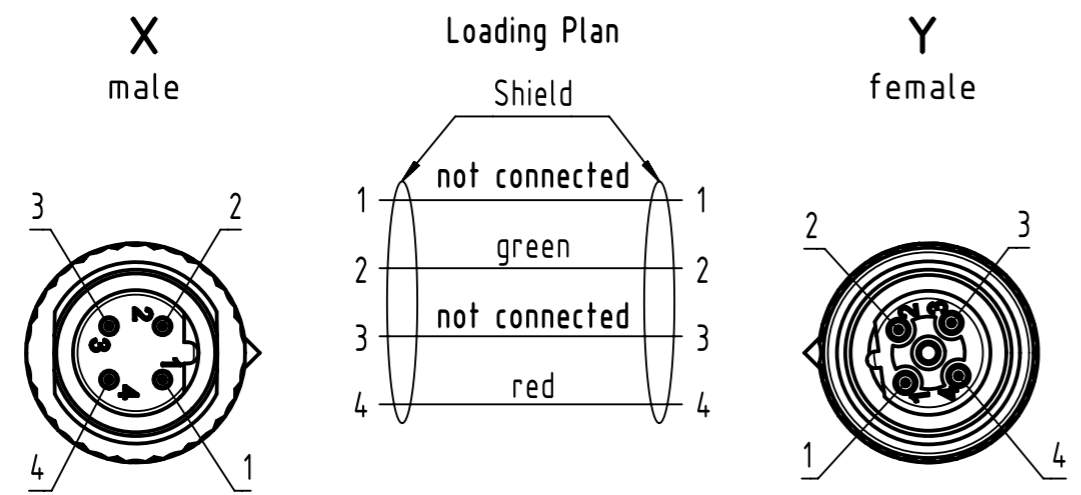
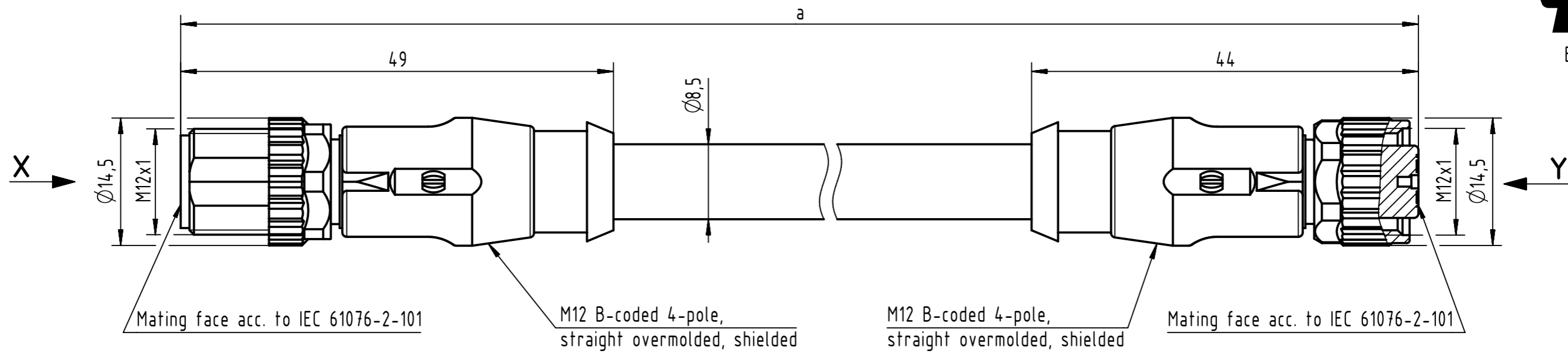


Connector Location A

Connector Location B



4.0 to 100	±1%
0.1 to 3.9	+0.04
a [m]	Tolerance

length in "1m" step	100	XXX=000
	99	XXX=990
	.	.
	12	XXX=120
	11	XXX=110
length in "0.1m" step	10	XXX=100
	9.9	XXX=099
	9.8	XXX=098
	.	.
	0.4	XXX=004
	0.3	XXX=003
	0.2	XXX=002
	0.1	XXX=001
Step	a [m]	XXX

- Protection level: IP67
 - Temperature range: -30°C ... +60°C

TPE violet, 2xAWG24	21348889487XXX
Type of cable	Part no.

All rights reserved Department HCS - GPM HARTING Customised Solutions D-32339 Espelkamp	All Dimensions in mm Tech. Character. Free size tol. According to production drawing	Created by 407675 Lorinzi	Inspected by BANCIUD Banciu	Standardisation MUNTEANV Muntean	Date 2024-02-12	State Final Release	Doc-Key / ECM-Nr. 100806804/UGD/009/B 500000253531
	Title M12 Cable Assembly B-cod st/st m/f	Type TB	Number 21348889487XXX	Rev. B	Page 1/1		