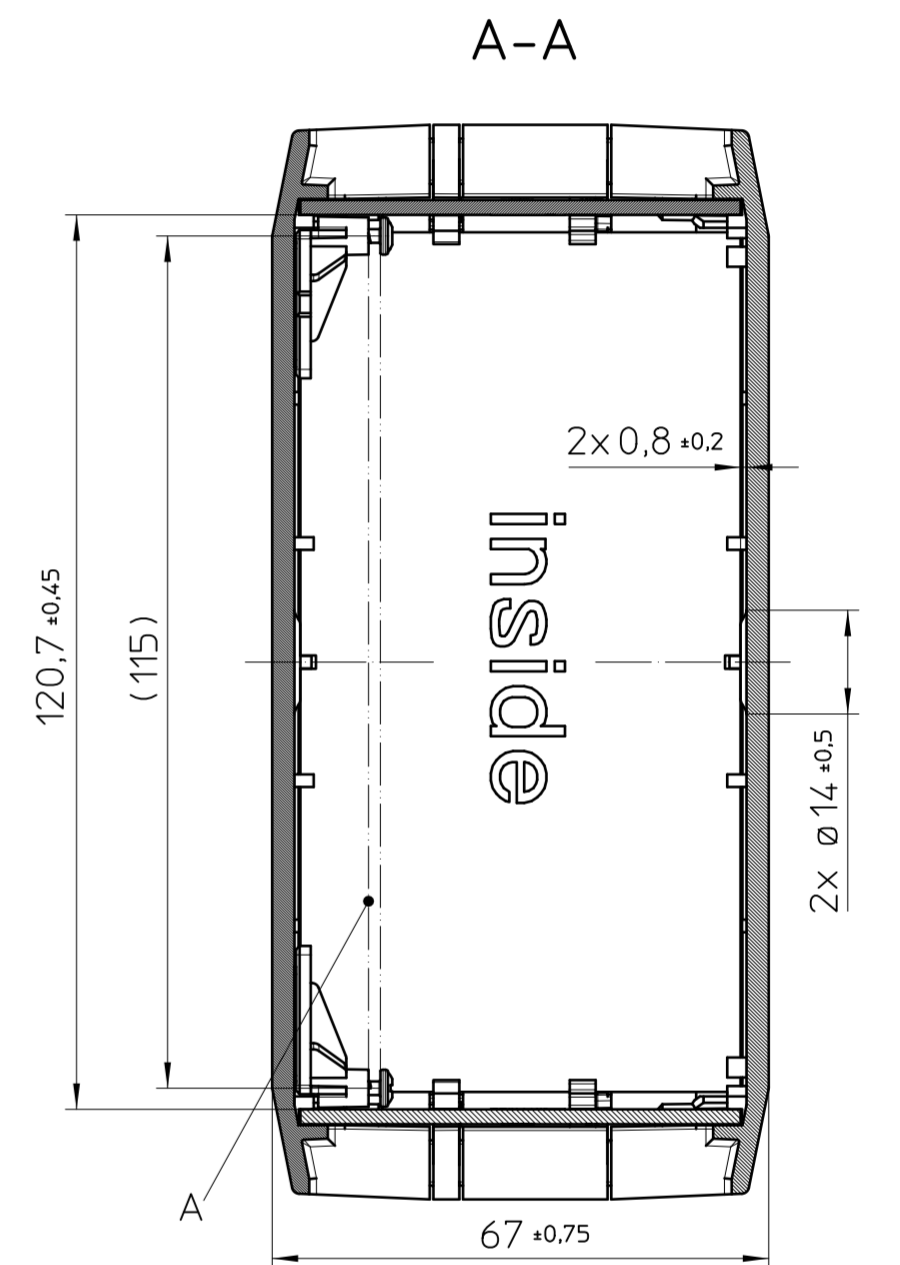
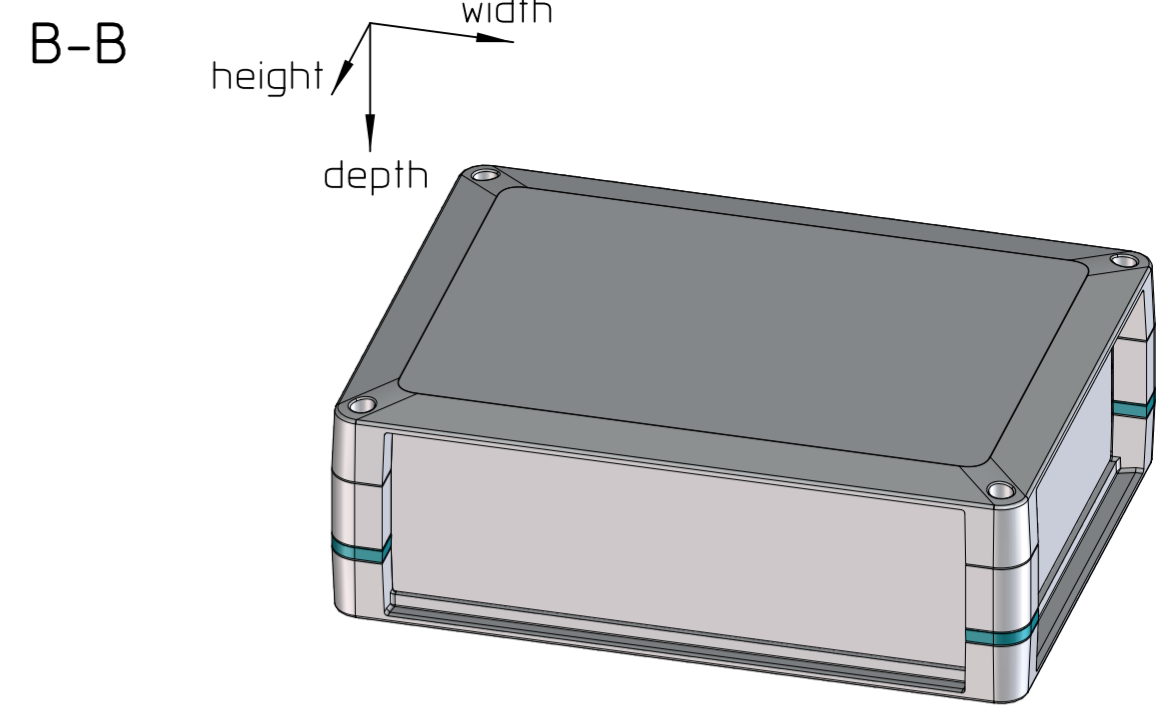
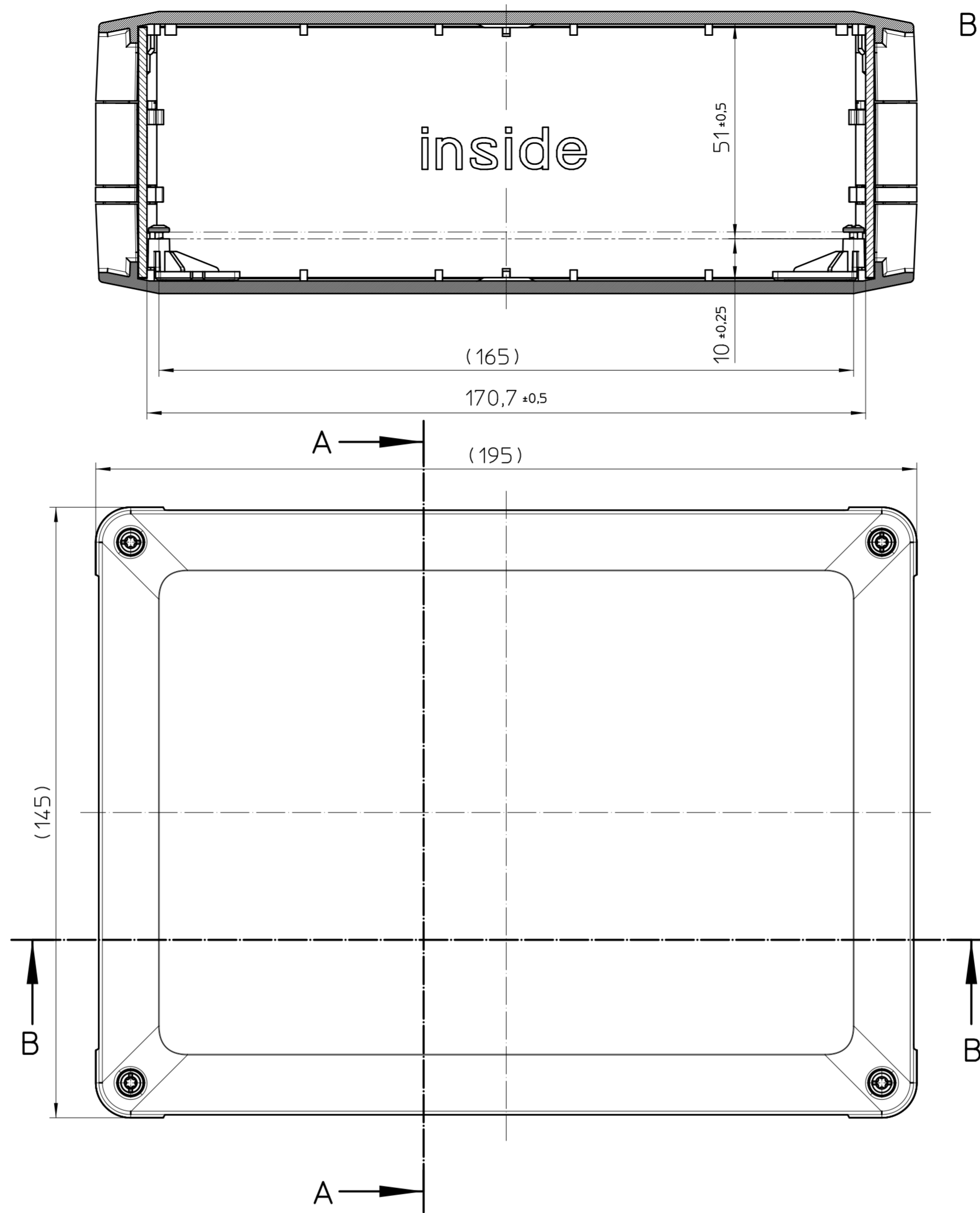
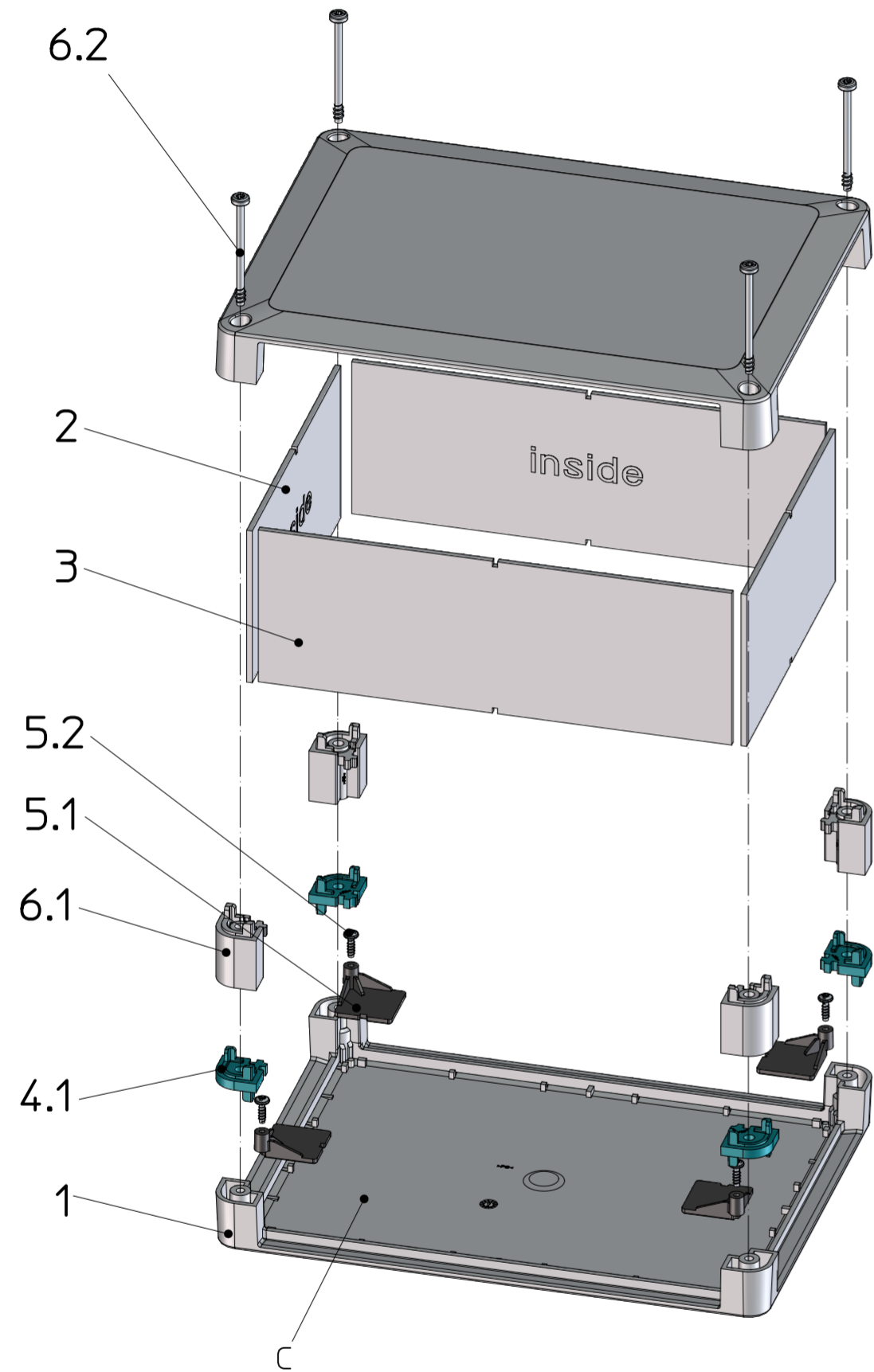


Transfer or duplication of this document as well as the utilisation or communication of its content are not permitted unless express consent is granted. Violations give rise to claims for damages. All rights reserved in case of patent, utility model or design patent registrations. Tolerance specifications do not include clearances inherent in the design.

Weitergabe sowie Vervielfältigung dieses Dokuments, Verwertung und Mitteilung seines Inhalts sind verboten, soweit nicht ausdrücklich gestattet. Zuwiderhandlungen verpflichten zu Schadensersatz. Alle Rechte für den Fall der Patent-, Gebrauchsmuster- oder Designeintragung vorbehalten. Bauartbedingtes Spiel ist in den Toleranzangaben nicht berücksichtigt.



- General Information:
- Simplified representation, exemplary shown in gray and for Corner Connector (4.1) turquoise
 - Tolerances apply in a normal climate according to DIN EN ISO 291-23/50-2, PA plastic parts with about 2% (% by weight) moisture content.
 - Web: www.phoenixcontact.com webcode: #0853

- Additional Information:
- A. PCB $t=0,8-3\text{mm}$
 - B. PCB area free option for customer
max. PCB surface = 170mmx120mm
 - C. Free position for UCS GD (Pos. 5.1+5.2)
example position for max. PCB
- ¹⁾ for this application not needed and represented

KIT (not mounted)			
Pos.	QTY	Description	Item number
1	2	HALF HOUSING 195-145	2203353
2	2	SIDE WALL 145 HIGH	2203375
3	2	SIDE WALL 195 HIGH	2203381
4	1	CORNER CONNECTOR KIT	2203404
4.1	4	CORNER CONNECTOR	
4.2	4	SCREW PT 3,5X20 TORX ¹⁾	
5	1	GLUE DOME KIT	2203401
5.1	4	GLUE DOME	
5.2	4	SCREW PT 2,5X8 TORX	
6	1	HEIGHT ADAPTER CORNER KIT	2203399
6.1	4	HEIGHT ADAPTER CORNER	
6.2	4	SCREW PT 3,5X40 TORX	

	document-no. / ri	article-no.	scale	- Simplified representation - Document excluded from change process - Linear dimensions (mm)
	00974358 / 05	2203340	2:1	
	date	document-type	description UCS 195-145-H-GD 9005	
	10.12.2024	TECDOC_2D_Productdrawing		
page 1	of 1			