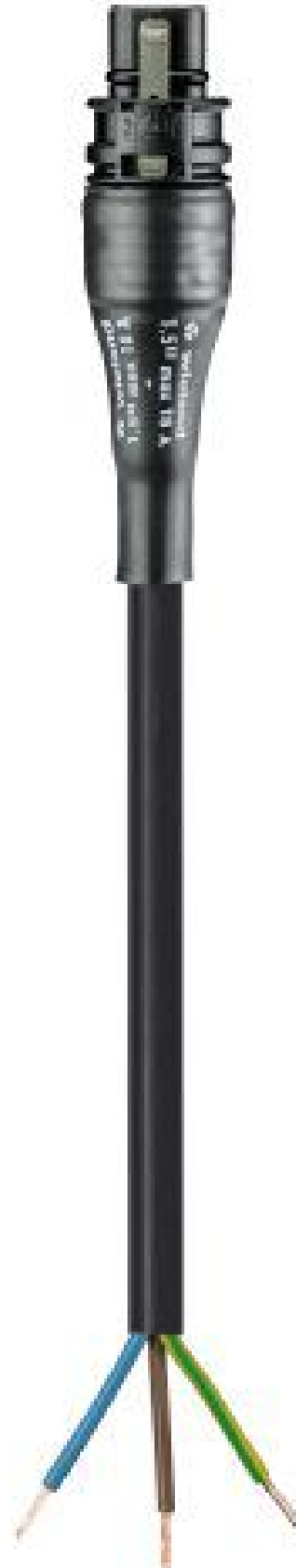


Produktdatenblatt

Art. Nr. 96.230.0504.1

### Konfektionierte Leitung RST20i3K1-S 75P 05SW

RST20i3 Anschlussleitung Stecker - freies Ende, 3-polig,  
konfektioniert mit Schrumpfschlauch, Anwendung 250V mit PE,  
6A , Kabeltyp H05VV-F, Länge 0,5m, Leiterquerschnitt 0,75mm<sup>2</sup>,  
Kodierfarbe schwarz



Art. Nr.	96.230.0504.1
EAN	4049088026546
Bestelleinheit	100 Stück

## Zulassungen

## Technische Daten

### Hinweis

Hinweis	Die Gesamtlänge kann um bis zu + / - 3 % abweichen.
---------	---

### Allgemein

Bemessungsstrom	6 A
Bemessungsspannung	250 V
Bemessungsstoßspannung	4 kV
Verschmutzungsgrad	3
Verriegelbar	selbstverriegelnd (mit Werkzeug lösbar)
Codierfarbe / Kontakteinsatz	schwarz
Polkennzeichnung	L, N, PE
Gehäusefarbe mit Zugentlastung	schwarz

### Ausführung

Bauart	Schrumpfschlauch
Anschlussart	Crimp
Leiter-Nennquerschnitt	0,75 mm <sup>2</sup>
Schutzart (IP)	IP66/68 (3m;2h)
Abisolierlänge	9 mm
Abmantellänge	35 mm
Leiterendenbehandlung	ultraschallverdichtete Aderenden
Typ der Leitung	H05VV-F
Farbe der Leitung	schwarz
Kabeldurchmesser min.	6,5 mm
Kabeldurchmesser max.	6,9 mm
Leitungsart	Stecker - freies Ende
Art der konfektionierten Leitung	Anschlussleitung
Ausführung Seite 1	freies Leitungsende
Ausführung Seite 2	Stecker
Geschirmt	nein

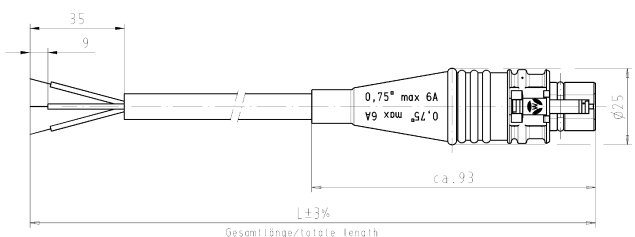
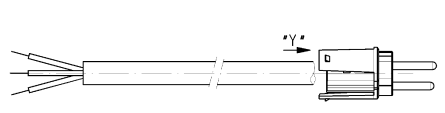
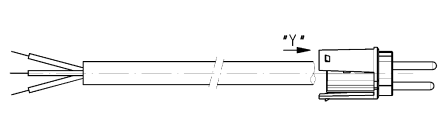

### Werkstoff

Oberflächenbehandlung	versilbert
Halogenfrei	nein
Leitung Dauertemperaturbeständigkeit	70 °C
Isolierteil Dauertemperaturbeständigkeit	100 °C
Brandlast	0,201 kWh
Brandklasse	Eca

### Abmessungen

Gesamtlänge	0,5 m
-------------	-------

**Technische Zeichnung**

<p>These drawings will be executed in colour if colour and dimensions are indicated in the drawing.</p> <p>These drawings will be executed in black and white if colour and dimensions are not indicated in the drawing.</p> <p>These drawings will be executed in black and white if colour and dimensions are not indicated in the drawing.</p>					<table border="1" style="width: 100%; border-collapse: collapse;"> <tr> <th>.F</th> <th>Farbe colour</th> <th>Codierung Stecker male</th> <th>Verriegelung lock in</th> </tr> <tr> <td>.0</td> <td>lichtgrau light grey</td> <td>PE N</td> <td>05.583, schwarz</td> </tr> <tr> <td>.1</td> <td>schwarz black</td> <td></td> <td>05.583, belongs to contact</td> </tr> </table>	.F	Farbe colour	Codierung Stecker male	Verriegelung lock in	.0	lichtgrau light grey	PE N	05.583, schwarz	.1	schwarz black		05.583, belongs to contact	<p>These drawings will be executed in black and white if colour and dimensions are not indicated in the drawing.</p>								
.F	Farbe colour	Codierung Stecker male	Verriegelung lock in																							
.0	lichtgrau light grey	PE N	05.583, schwarz																							
.1	schwarz black		05.583, belongs to contact																							
<p>These drawings will be executed in black and white if colour and dimensions are not indicated in the drawing.</p>					<table border="1" style="width: 100%; border-collapse: collapse;"> <tr> <th>Farbe/color</th> <th>.F</th> </tr> <tr> <td>schwarz/black</td> <td>.1</td> </tr> <tr> <td>lichtgrau/light grey</td> <td>.0</td> </tr> </table>	Farbe/color	.F	schwarz/black	.1	lichtgrau/light grey	.0	<p>These drawings will be executed in black and white if colour and dimensions are not indicated in the drawing.</p>														
Farbe/color	.F																									
schwarz/black	.1																									
lichtgrau/light grey	.0																									
<p>These drawings will be executed in black and white if colour and dimensions are not indicated in the drawing.</p>					<table border="1" style="width: 100%; border-collapse: collapse;"> <tr> <th>Teil-Nr. part-no.</th> <th>L</th> <th>Beispiel (Farbe: schwarz, lichtgrau) example (colour: black, grey)</th> <th>Typ type</th> </tr> <tr> <td>96.230.XX04.1</td> <td>XX in dm-Schritten</td> <td>96.230.1004.1 = 10dm/L= 1000mm</td> <td>RST2013K1-S 75P 10SW</td> </tr> <tr> <td>96.230.XX04.0</td> <td></td> <td>96.230.1004.0</td> <td>RST2013K1-S 75P 10GL</td> </tr> <tr> <td>U6.230.XX04.1</td> <td>XX in m-Schritten</td> <td>U6.230.1204.1 = 12 m/L=12000mm</td> <td>RST2013K1-S 75P X12SW</td> </tr> <tr> <td>U6.230.XX04.0</td> <td></td> <td>U6.230.1204.0</td> <td>RST2013K1-S 75P X12GL</td> </tr> </table>	Teil-Nr. part-no.	L	Beispiel (Farbe: schwarz, lichtgrau) example (colour: black, grey)	Typ type	96.230.XX04.1	XX in dm-Schritten	96.230.1004.1 = 10dm/L= 1000mm	RST2013K1-S 75P 10SW	96.230.XX04.0		96.230.1004.0	RST2013K1-S 75P 10GL	U6.230.XX04.1	XX in m-Schritten	U6.230.1204.1 = 12 m/L=12000mm	RST2013K1-S 75P X12SW	U6.230.XX04.0		U6.230.1204.0	RST2013K1-S 75P X12GL	<p>These drawings will be executed in black and white if colour and dimensions are not indicated in the drawing.</p>
Teil-Nr. part-no.	L	Beispiel (Farbe: schwarz, lichtgrau) example (colour: black, grey)	Typ type																							
96.230.XX04.1	XX in dm-Schritten	96.230.1004.1 = 10dm/L= 1000mm	RST2013K1-S 75P 10SW																							
96.230.XX04.0		96.230.1004.0	RST2013K1-S 75P 10GL																							
U6.230.XX04.1	XX in m-Schritten	U6.230.1204.1 = 12 m/L=12000mm	RST2013K1-S 75P X12SW																							
U6.230.XX04.0		U6.230.1204.0	RST2013K1-S 75P X12GL																							
<p>These drawings will be executed in black and white if colour and dimensions are not indicated in the drawing.</p>	<p>Nennstrom: max. 6A</p>				<p>These drawings will be executed in black and white if colour and dimensions are not indicated in the drawing.</p>																					
<p>These drawings will be executed in black and white if colour and dimensions are not indicated in the drawing.</p>	<p>Weitere Daten siehe Katalog further data see catalog</p>				<p>These drawings will be executed in black and white if colour and dimensions are not indicated in the drawing.</p>																					
<p>These drawings will be executed in black and white if colour and dimensions are not indicated in the drawing.</p>					<p>These drawings will be executed in black and white if colour and dimensions are not indicated in the drawing.</p>																					
<p>These drawings will be executed in black and white if colour and dimensions are not indicated in the drawing.</p>	<p>KONFEKT_LEITUNG</p> <p>Stecker-freies Ende Crimpausführung/male-free end pre-assembled cable crimp design KI 230V, Ø 7,5mm</p>				<p>These drawings will be executed in black and white if colour and dimensions are not indicated in the drawing.</p>																					
<p>These drawings will be executed in black and white if colour and dimensions are not indicated in the drawing.</p>	<p>Änderung/Revision</p>				<p>These drawings will be executed in black and white if colour and dimensions are not indicated in the drawing.</p>																					