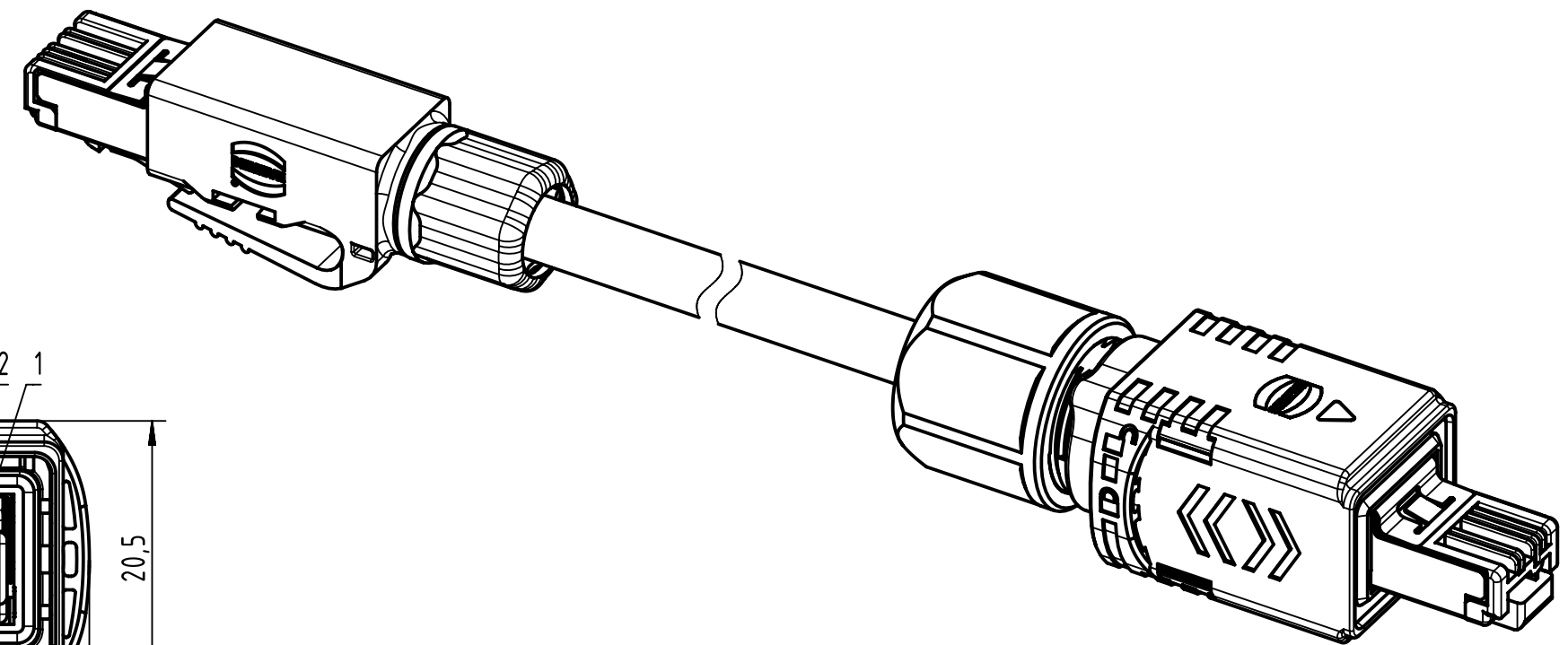
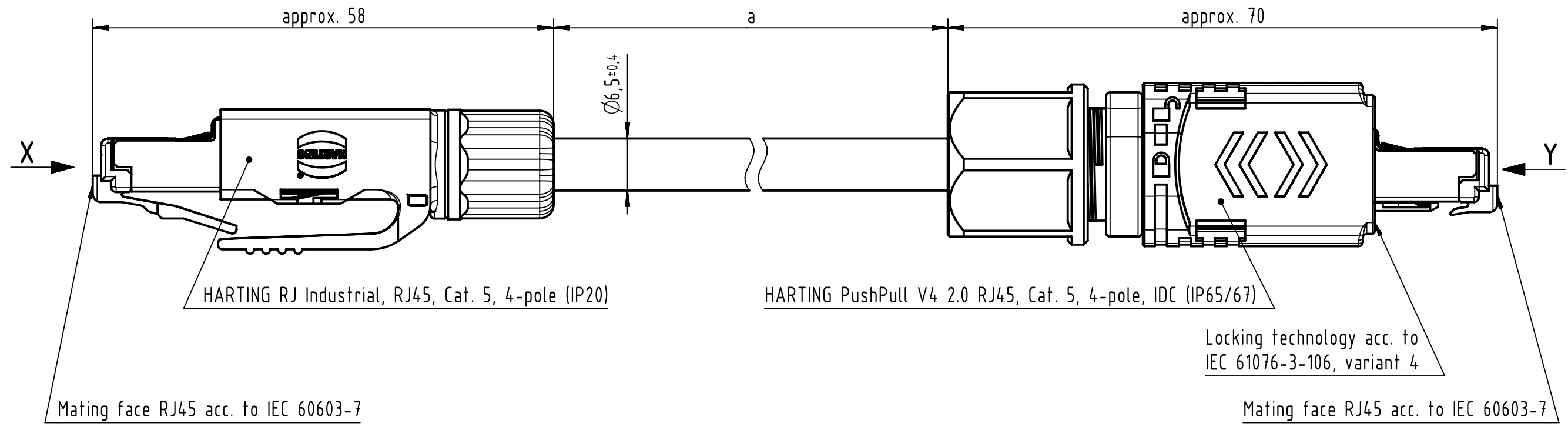


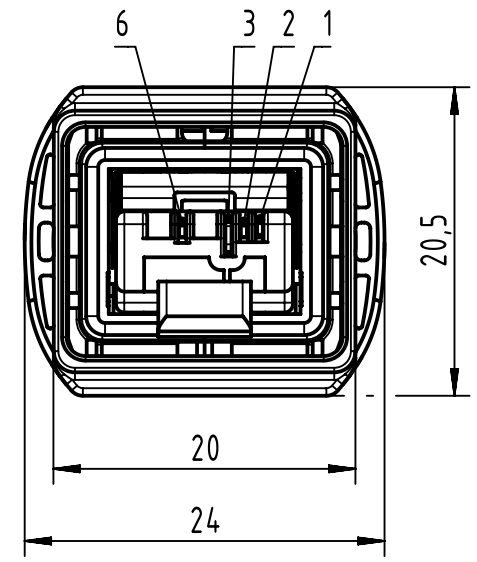
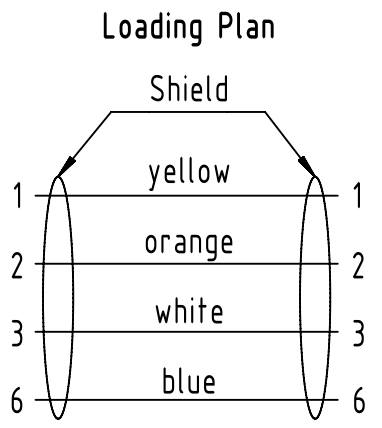
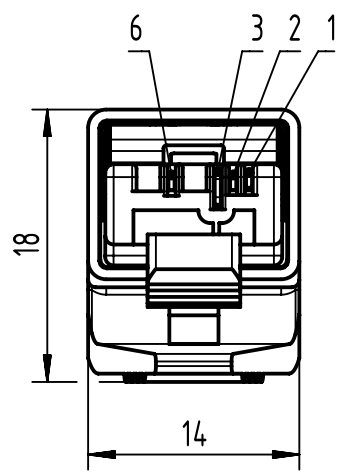
Connector Location A

Connector Location B



X
male


Y
male



- Temperature range: -30°C ... +70°C

	All rights reserved		Created by BANCIUD Banciu		Inspected by 402676 Gross		Standardisation MUNTEANV Muntean		Date 2023-06-09		State Final Release	
	Department HCS - RO		Title RJ45 IP20 - PPv4, 4xAWG22		Type TB		Number 0945701XXXX		Doc-Key / ECM-Nr. 100155407/UGD/024/G 500000245638		Rev. G Page 1/2	
All Dimensions in mm			Tech. Character.			Free size tol.			According to production drawing			
HARTING Customised Solutions D-32339 Espelkamp												

	1	2	3	4	5	6	7	8				
A												
	B	44	09457010083	HAR PROFINET Typ B 4xAWG 22/7 PVC outdoor black	100 ±1	88	09457011183	HAR PROFINET Typ B 4xAWG 22/7 PVC green	100 ±1			
		43	09457010082		90 ±0.9	87	09457011182		90 ±0.9			
		42	09457010081		80 ±0.8	86	09457011181		80 ±0.8			
		41	09457010080		70 ±0.7	85	09457011180		70 ±0.7			
		40	09457010079		60 ±0.6	84	09457011179		60 ±0.6			
		39	09457010078		50 ±0.5	83	09457011178		50 ±0.5			
		38	09457010077		40 ±0.4	82	09457011177		40 ±0.4			
		37	09457010076		30 ±0.3	81	09457011176		30 ±0.3			
		36	09457010075		20 ±0.2	80	09457011175		20 ±0.2			
		35	09457010074		15 ±0.15	79	09457011174		15 ±0.15			
		34	09457010073		10 ±0.1	78	09457011173		10 ±0.1			
		33	09457010072		9 ±0.09	77	09457011172		9 ±0.09			
		32	09457010071		8 ±0.08	76	09457011171		8 ±0.08			
		31	09457010070		7 ±0.07	75	09457011170		7 ±0.07			
		30	09457010069		6 ±0.06	74	09457011169		6 ±0.06			
		29	09457010068		5 ±0.05	73	09457011168		5 ±0.05			
		28	09457010067		4 ±0.04	72	09457011167		4 ±0.04			
		27	09457010066		3 ±0.03	71	09457011166		3 ±0.03			
		26	09457010065		2 ±0.02	70	09457011165		2 ±0.02			
		25	09457010064		1.5 ±0.015	69	09457011164		1.5 ±0.015			
		24	09457010063		1 ±0.01	68	09457011163		1 ±0.01			
		23	09457010062		0.5 ±0.01	67	09457011162		0.5 ±0.01			
		C	22		09457010061	HAR PROFINET Typ C 4xAWG 22/7 PUR Trail. green	100 ±1		66	09457011161	HAR PROFINET Typ A 4xAWG 22/1 PVC green	100 ±1
			21		09457010060		90 ±0.9		65	09457011160		90 ±0.9
	20		09457010059	80 ±0.8	64		09457011159	80 ±0.8				
	19		09457010058	70 ±0.7	63		09457011158	70 ±0.7				
	18		09457010057	60 ±0.6	62		09457011157	60 ±0.6				
17	09457010056		50 ±0.5	61	09457011156		50 ±0.5					
16	09457010055		40 ±0.4	60	09457011155		40 ±0.4					
15	09457010054		30 ±0.3	59	09457011154		30 ±0.3					
14	09457010053		20 ±0.2	58	09457011153		20 ±0.2					
13	09457010052		15 ±0.15	57	09457011152		15 ±0.15					
12	09457010051		10 ±0.1	56	09457011151		10 ±0.1					
11	09457010031		9 ±0.09	55	09457011131		9 ±0.09					
10	09457010030	8 ±0.08	54	09457011130	8 ±0.08							
9	09457010029	7 ±0.07	53	09457011129	7 ±0.07							
8	09457010028	6 ±0.06	52	09457011128	6 ±0.06							
7	09457010027	5 ±0.05	51	09457011127	5 ±0.05							
6	09457010026	4 ±0.04	50	09457011126	4 ±0.04							
5	09457010025	3 ±0.03	49	09457011125	3 ±0.03							
4	09457010024	2 ±0.02	48	09457011124	2 ±0.02							
3	09457010023	1.5 ±0.015	47	09457011123	1.5 ±0.015							
2	09457010022	1 ±0.01	46	09457011122	1 ±0.01							
1	09457010021	0.5 ±0.01	45	09457011121	0.5 ±0.01							
D												
E												
F												

	All rights reserved Department HCS - RO	Created by BANCIUD Banciu	Inspected by 402676 Gross	Standardisation MUNTEANV Muntean	Date 2023-06-09	State Final Release
HARTING Customised Solutions D-32339 Espelkamp		Title RJ45 IP20 - PPv4, 4xAWG22		Doc-Key / ECM-Nr. 100155407/UGD/024/G 50000245638		Rev. G
Type TB		Number 0945701XXXX		Page 2/2		