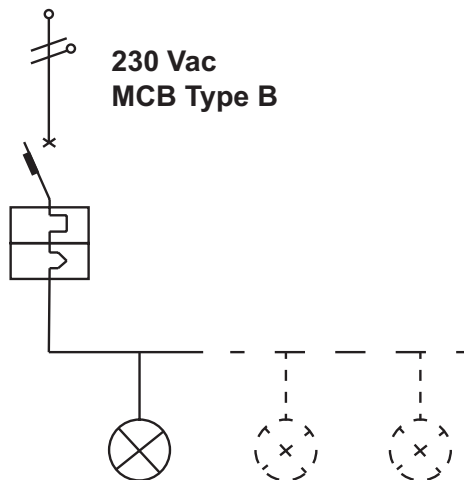


IP66  
IP69

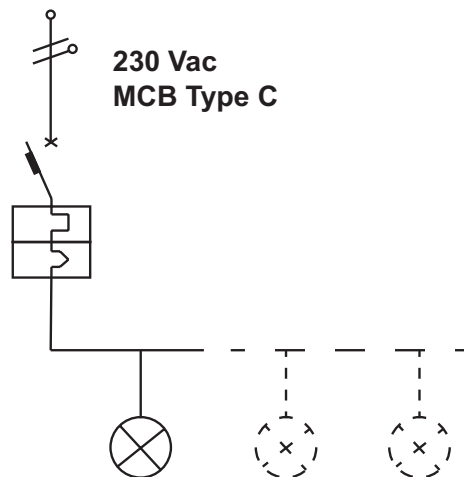


+50°C  
-25°C

$t_a + 50^\circ\text{C}$



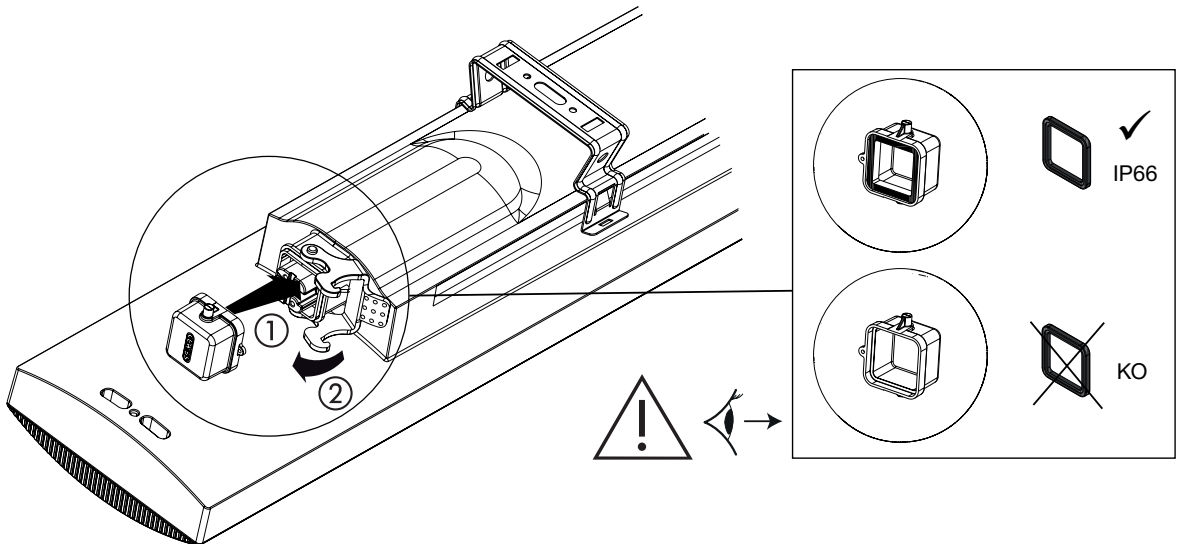
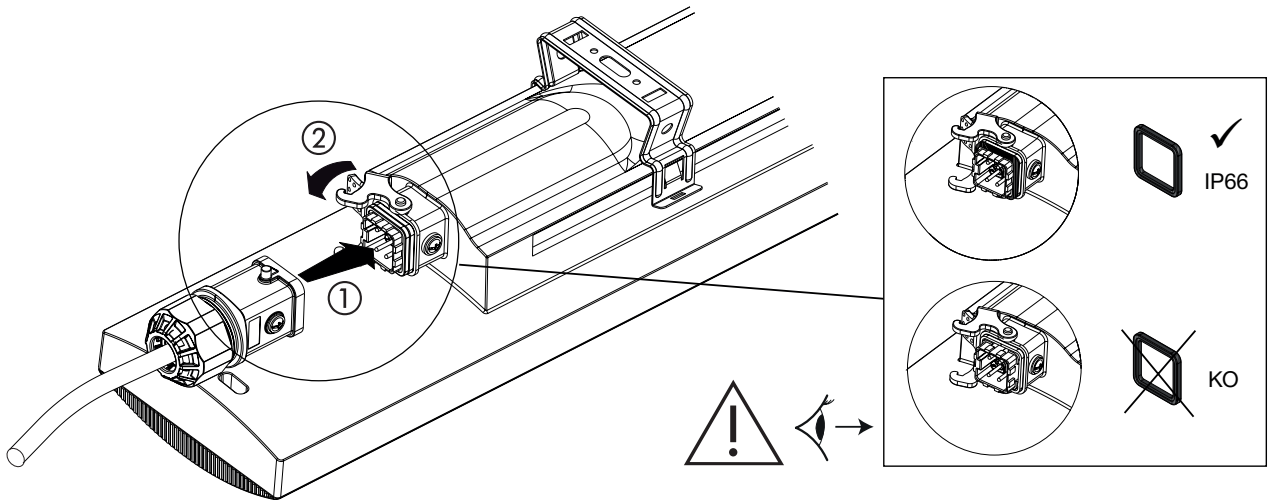
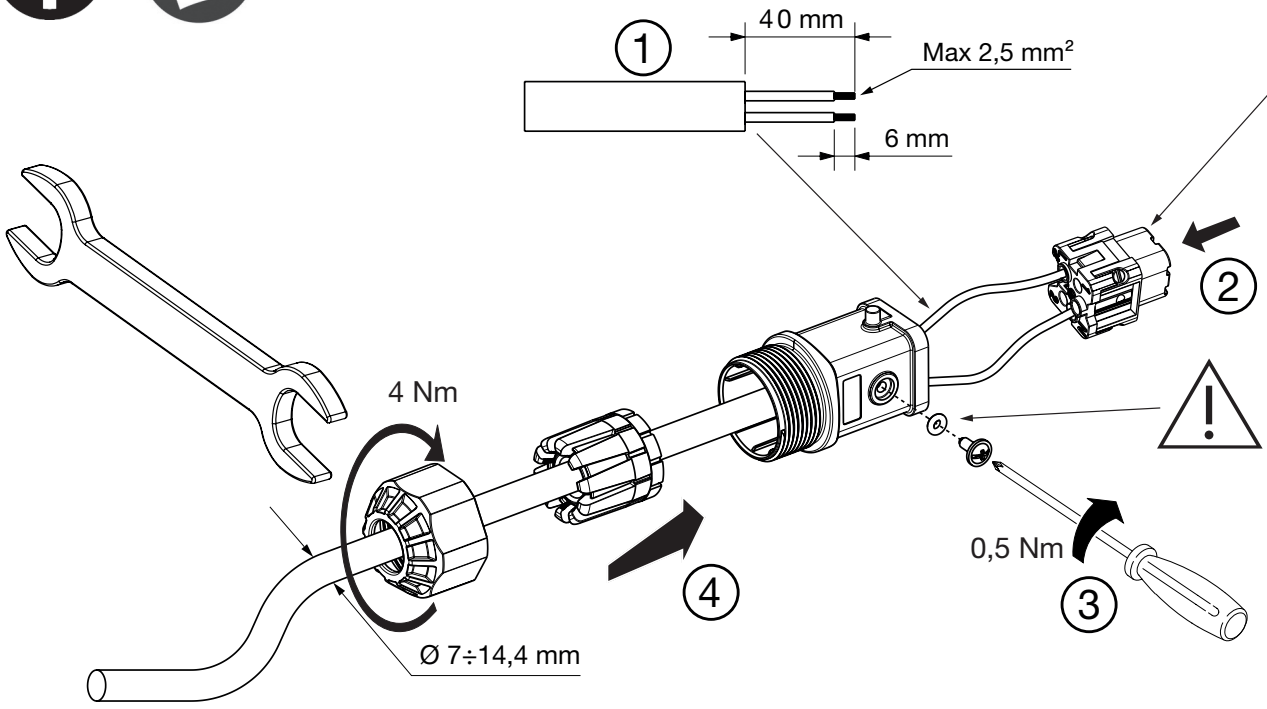
MCB current	10 A	16 A	20 A
max no. SMART [3]:	13	25	31

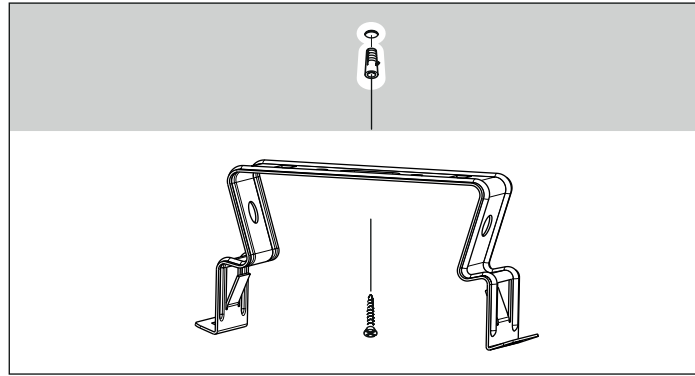


MCB current	10 A	16 A	20 A
max no. SMART [3]:	31	49	62

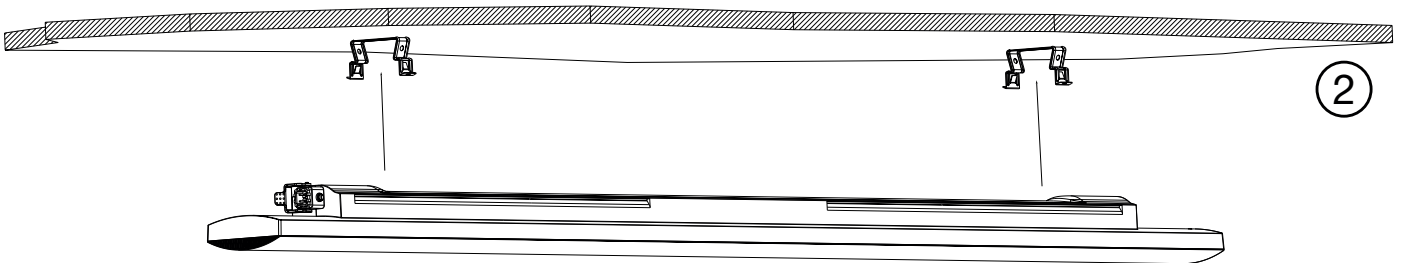


L	=	L
N	=	N

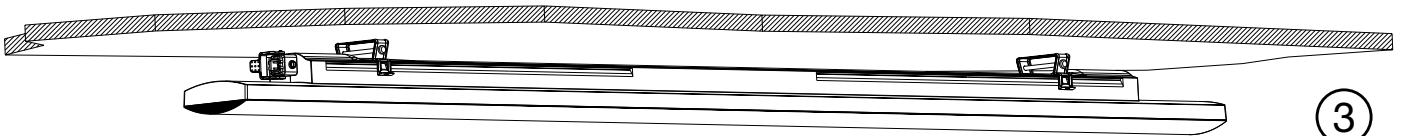




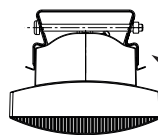
1



2

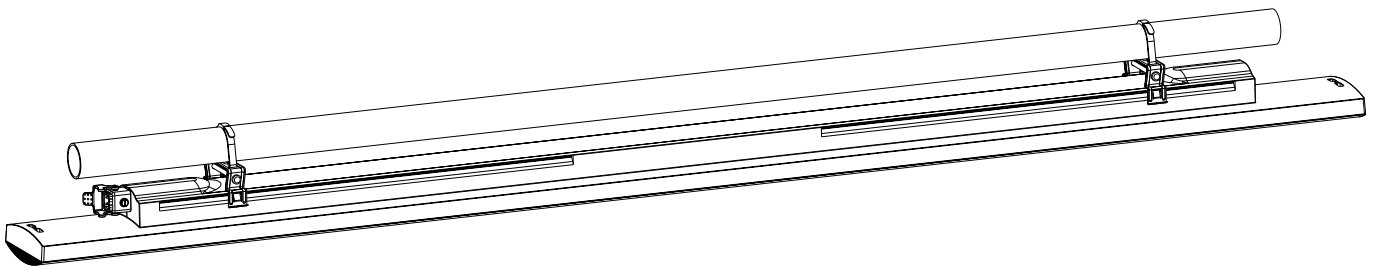
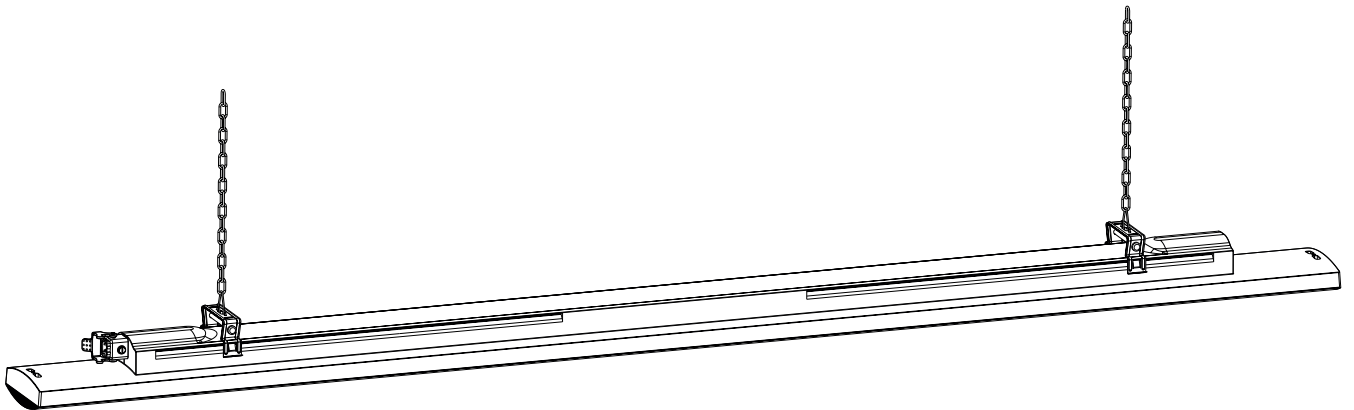
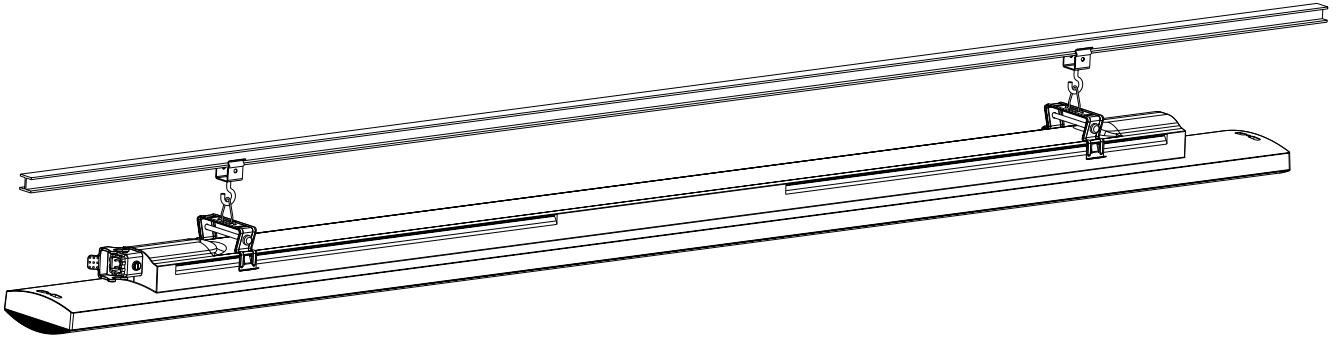
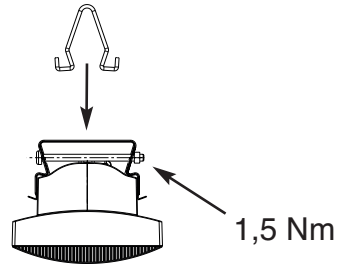


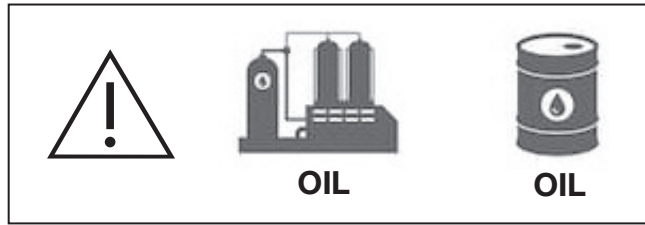
3



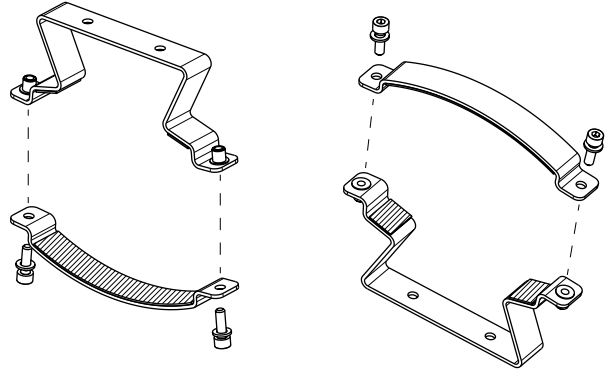
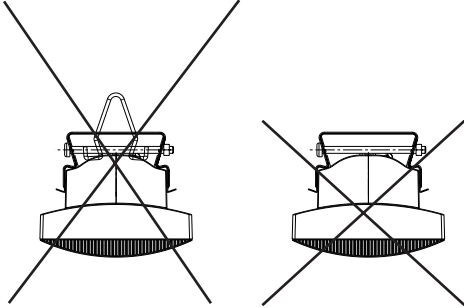
1,5 Nm

4

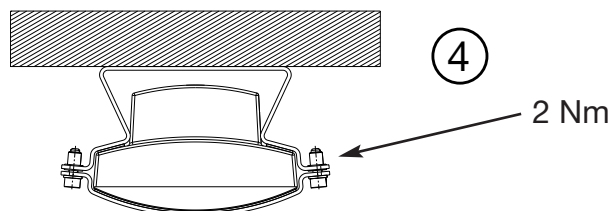
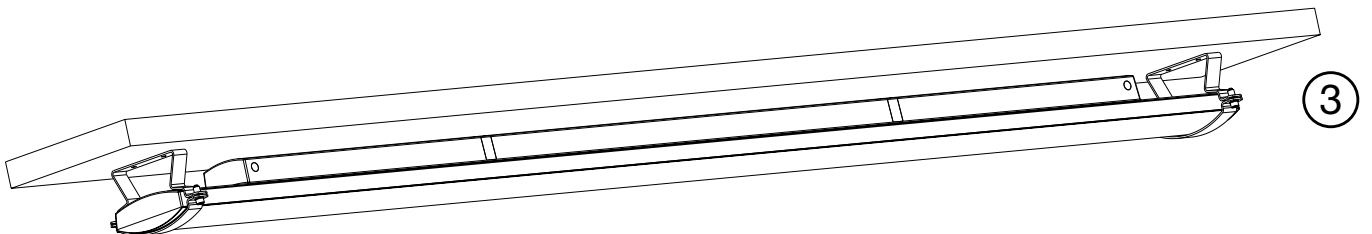
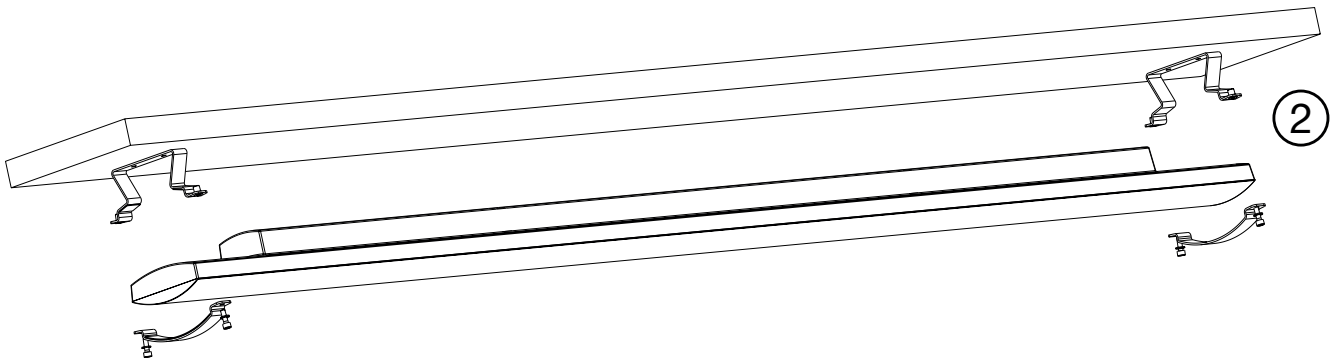
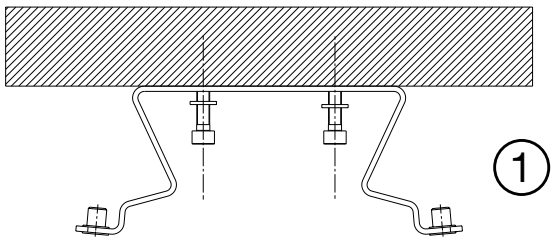


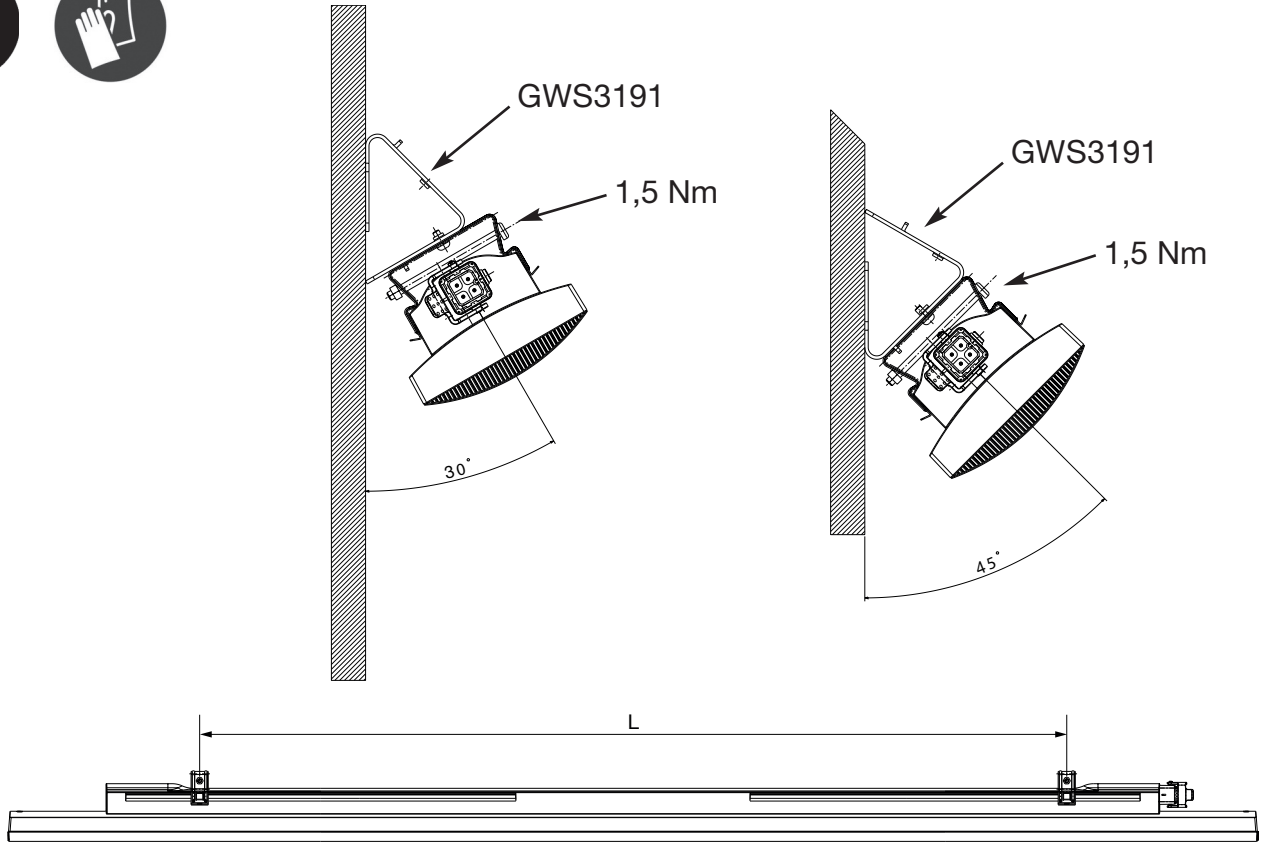


OK! ✓

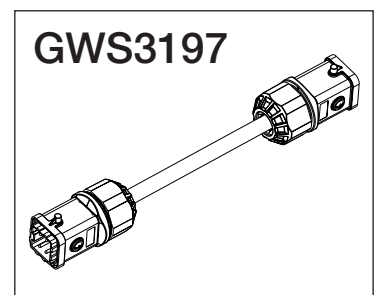
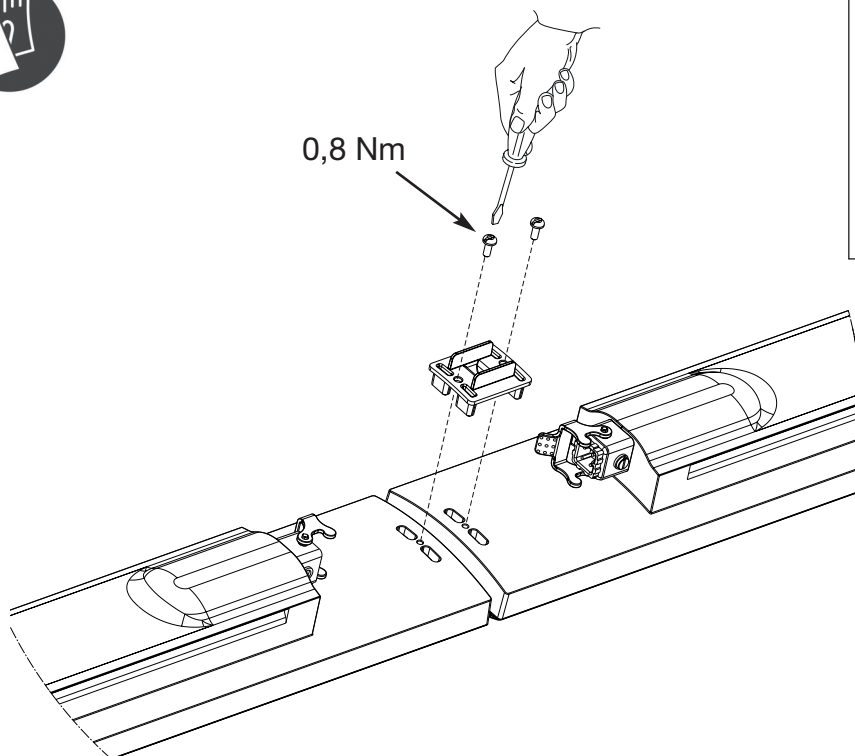


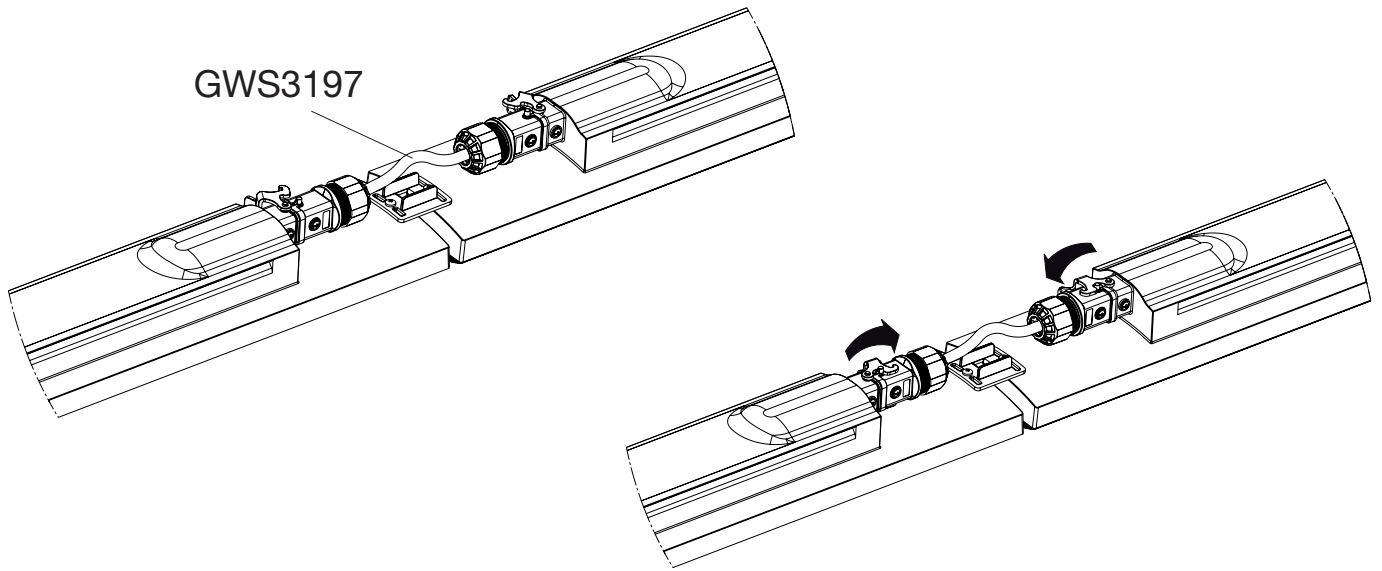
GWS3296



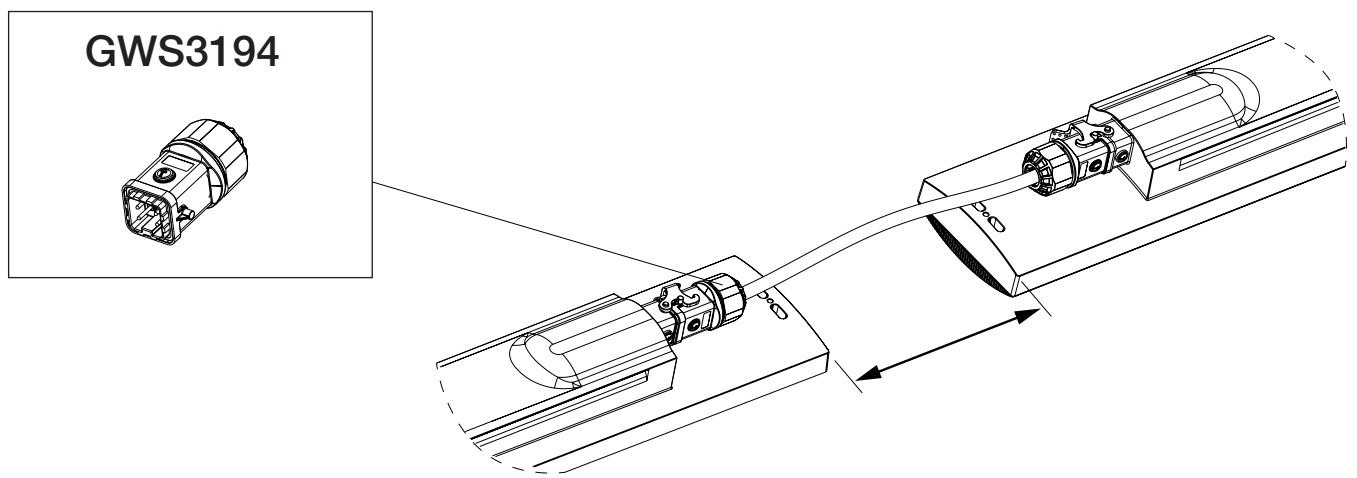


	<b>L</b>
SMART [3] 800	250÷475 mm
SMART [3] 1200	350÷910 mm
SMART [3] 1600	500÷1270 mm

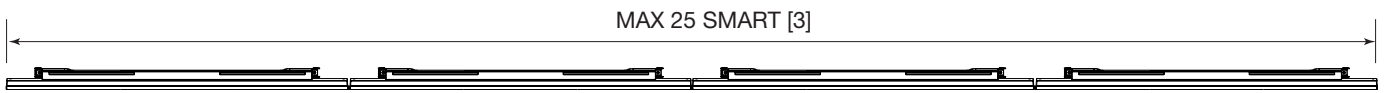




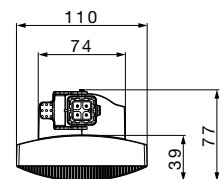
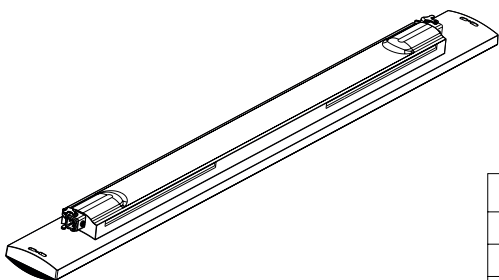
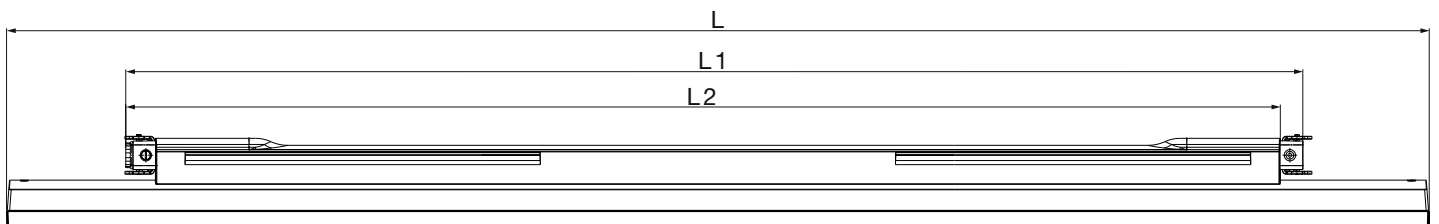
GWS3197



GWS3194



MAX 25 SMART [3]



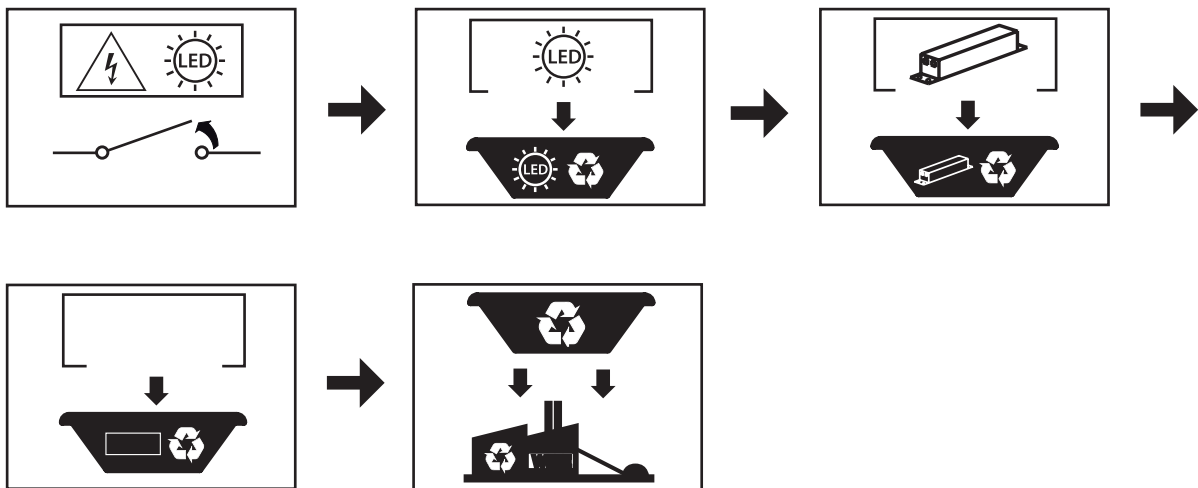
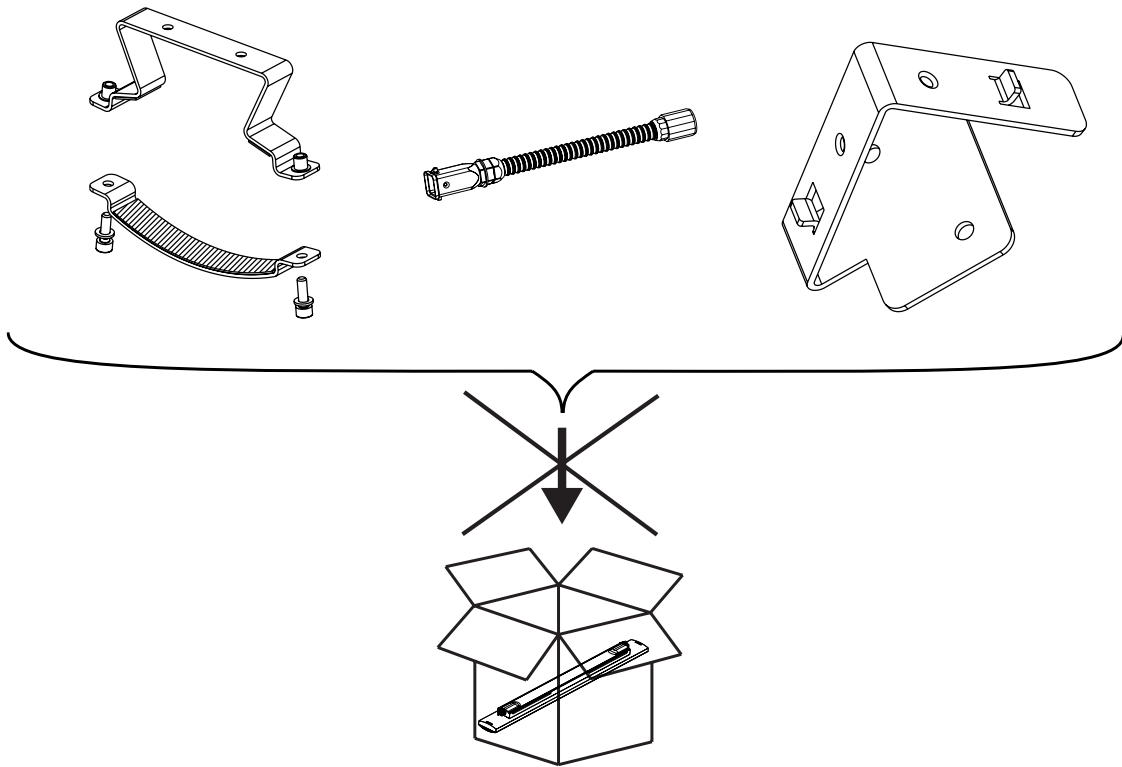
	<b>L</b>	<b>L1</b>	<b>L2</b>
SMART [3] 800	800	//	550
SMART [3] 1200	1200	//	970
SMART [3] 1600	1600	//	1370
SMART [3] 1200 LP	1200	990	//
SMART [3] 1600 LP	1600	1390	//



GWS3296

GWS3193

GWS3191



Punto di contatto indicato in adempimento ai fini delle direttive e regolamenti UE applicabili:  
 Contact details according to the relevant European Directives and Regulations:  
 GEWISS S.p.A. Via D.Bosatelli, 1 IT-24069 Cenate Sotto (BG) Italy tel: +39 035 946 111 E-mail: qualitymarks@gewiss.com

According to applicable UK regulations, the company responsible for placing the goods in UK market is:  
 GEWISS UK LTD - Unity House, Compass Point Business Park, 9 Stocks Bridge Way, ST IVES  
 Cambridgeshire, PE27 5JL, United Kingdom tel: +44 1954 712757 E-mail: gewiss-uk@gewiss.com

**+39 035 946 111**  
 8:30 - 12:30 / 14:00 - 18:00  
 lunedì - venerdì / monday - friday

[www.gewiss.com](http://www.gewiss.com)

