

## Hinged frame 24B for 6 modules (a..f)

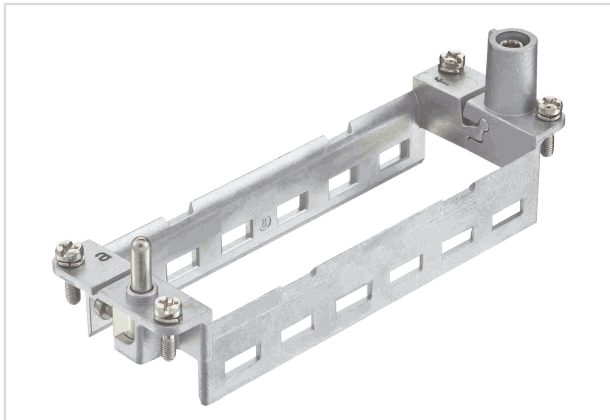


Image is for illustration purposes only. Please refer to product description.

|                    |   |
|--------------------|---|
| Part number        | 09 14 024 0313  |
| Specification      | Hinged frame 24B for 6 modules (a..f)   |
| HARTING eCatalogue | <a href="https://b2b.harting.com/09140240313">https://b2b.harting.com/09140240313</a> |

### Identification

|                              |  |
|------------------------------|--|
| Category                     | Accessories  |
| Series                       | Han-Modular®   |
| Type of accessory            | Hinged frame   |
| Description of the accessory | for 6 modules<br>a ... f   |
| Features                     | Conductor cross-section PE (power side) 4 ... 10 mm <sup>2</sup><br>Conductor cross-section PE (signal side) 1 ... 2.5 mm <sup>2</sup> |

### Version

|      |      |
|------|------|
| Size | 24 B |
|------|------|

### Technical characteristics

|                      |                 |
|----------------------|-----------------|
| Limiting temperature | -40 ... +125 °C |
| Mating cycles        | ≥500            |

### Material properties

|                             |  |
|-----------------------------|--|
| Material                    | Zinc die-cast  |
| RoHS                        | compliant with exemption                               |
| RoHS exemptions             | 6(c): Copper alloy containing up to 4 % lead by weight |
| ELV status                  | compliant with exemption                               |
| China RoHS                  | 50   |
| REACH Annex XVII substances | Not contained  |
| REACH ANNEX XIV substances  | Not contained  |
| REACH SVHC substances       | Yes  |



Pushing Performance  
Since 1945

## Material properties

|                                      |                                      |
|--------------------------------------|--------------------------------------|
| REACH SVHC substances                | Lead                                 |
| ECHA SCIP number                     | 564b7d75-7bf6-4cfb-acb1-2168eb61b675 |
| California Proposition 65 substances | Yes                                  |
| California Proposition 65 substances | Lead<br>Nickel                       |

## Specifications and approvals

|                |                          |
|----------------|--------------------------|
| Specifications | IEC 60664-1<br>IEC 61984 |
| Approvals      | DNV GL                   |
| UL / CSA       | UL 1977 ECBT2.E235076    |

## Commercial data

|                                |   |
|--------------------------------|---|
| Packaging size                 | 2   |
| Net weight                     | 62 g  |
| Country of origin              | Germany   |
| European customs tariff number | 85389099  |
| GTIN                           | 5713140021327   |
| eCl@ss                         | 27440206 Module carrier frame for industrial connectors |