

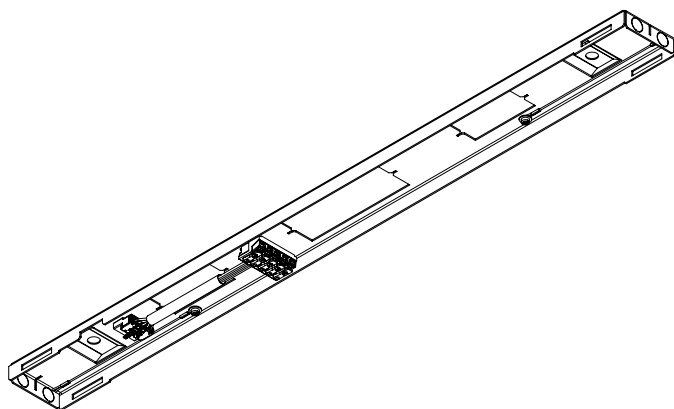
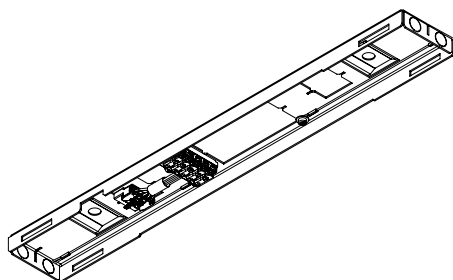
# Silica 21 rectangular

Anbaubox

Attachement box

59MA23A700 . A

59MA23A000 . A

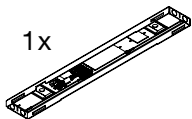


**siteco**

Silica 21 rectangular - Anbaubox / Attachment box

59MA23A700 . A

1x

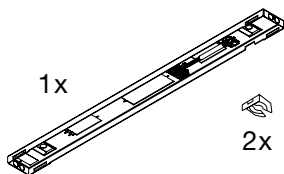


2x

L = 1200mm

59MA23A000 . A

1x



2x

L = 1500mm

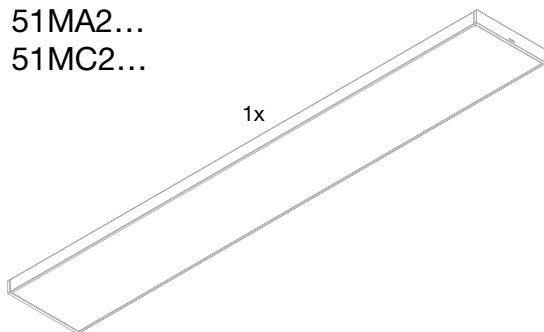
51MA6...

51MC6...

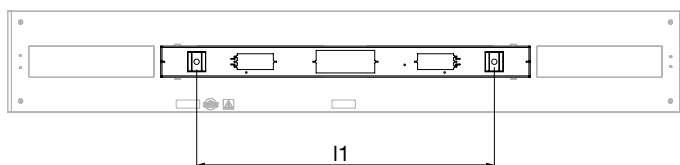
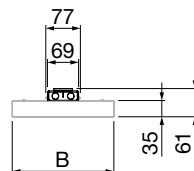
51MA2...


51MC2...

1x

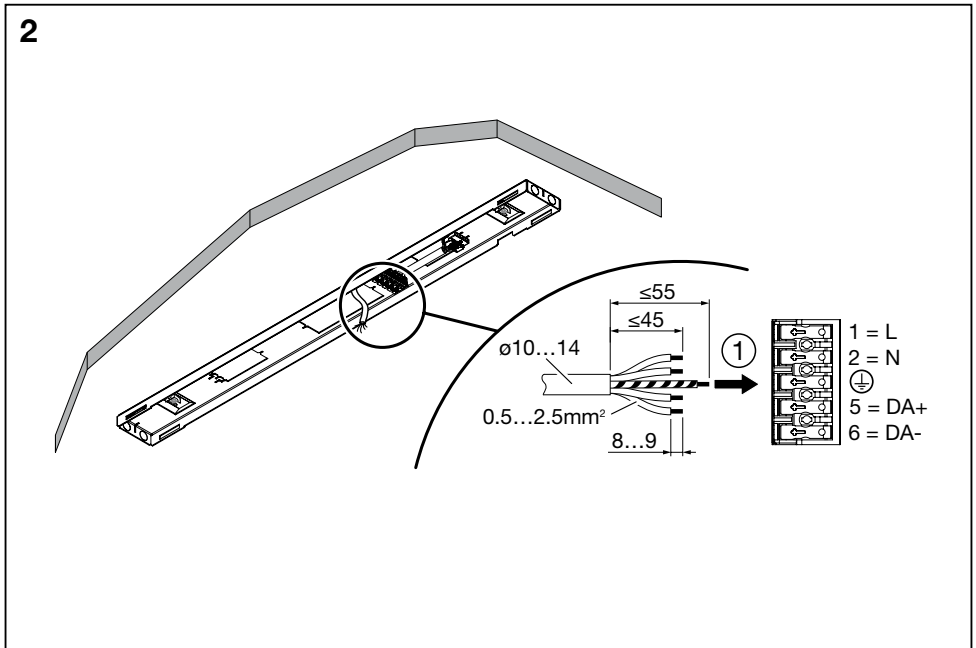
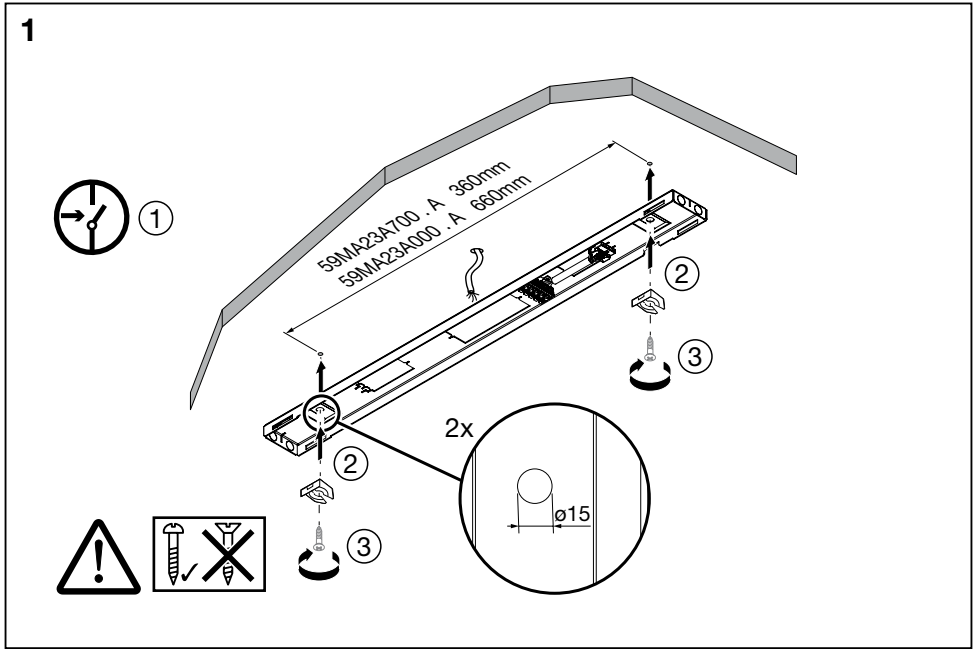


[ mm ]

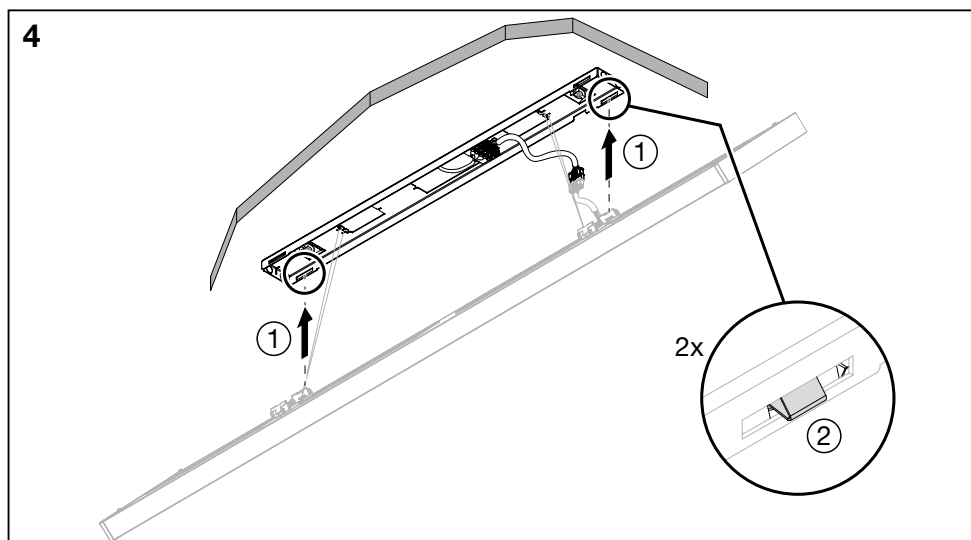
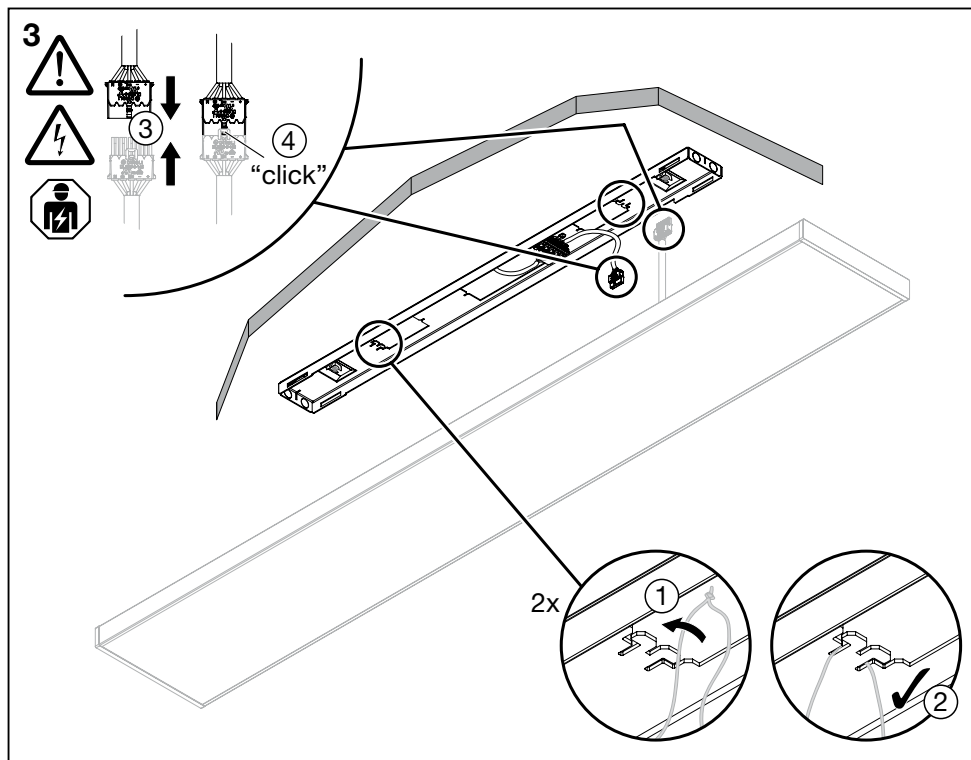


	L	I1	B	
51M . . . . 8 . . . .	1500	660	225	≤5.0
51M . . . . 5 . . . .	1500	660	170	≤4.1
51M . . . . 7 . . . .	1200	360	225	≤4.1
51M . . . . 4 . . . .	1200	360	170	≤3.4

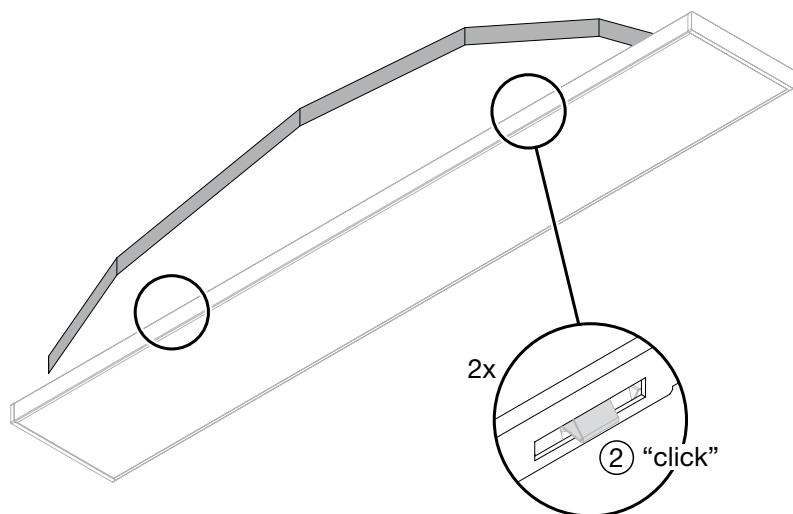
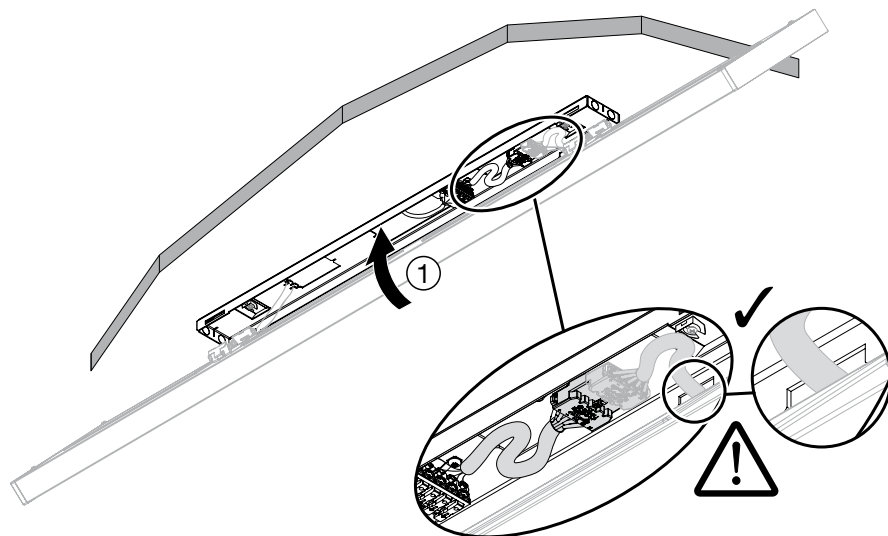
Silica 21 rectangular - Anbaubox / Attachment box

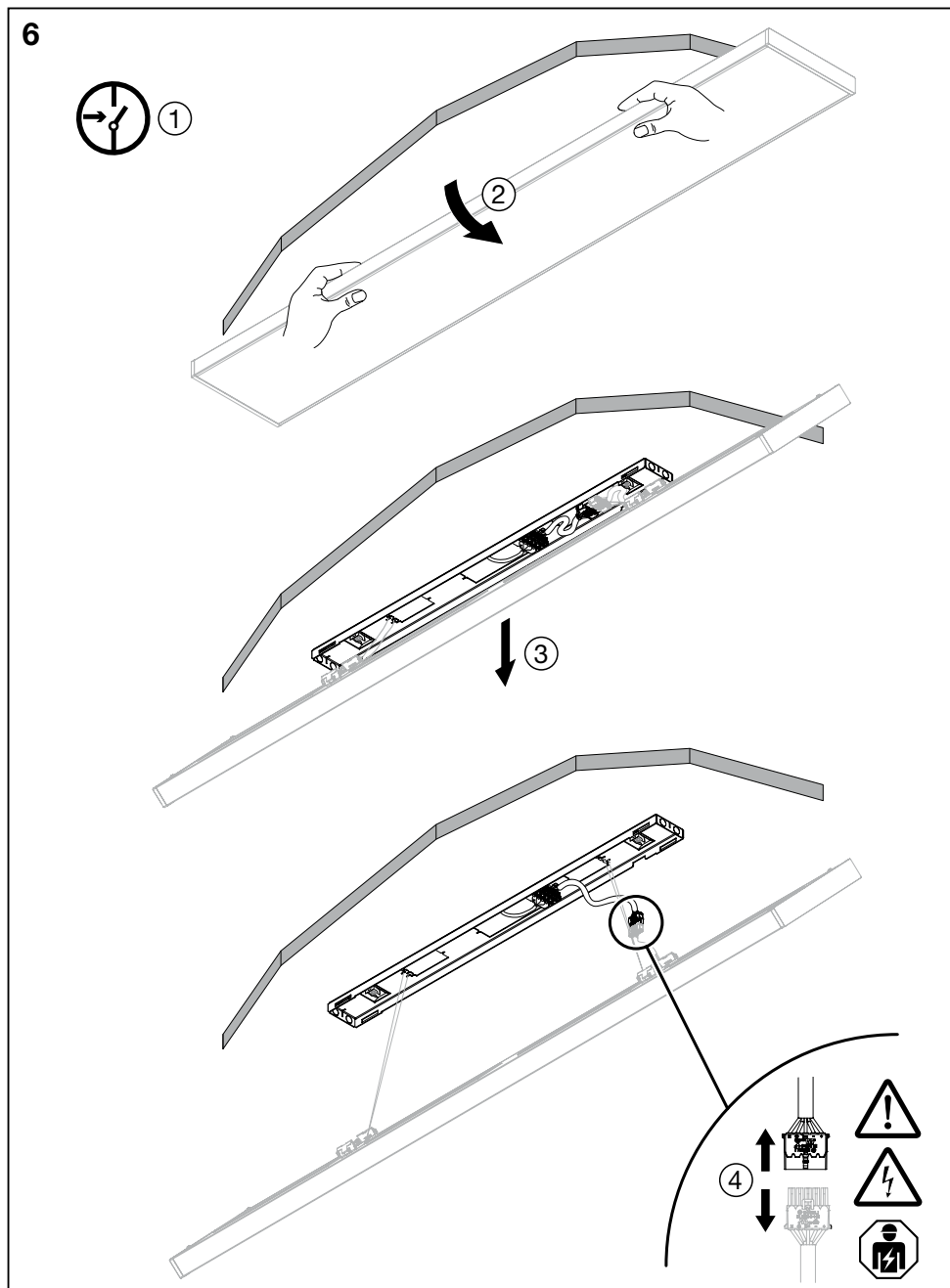


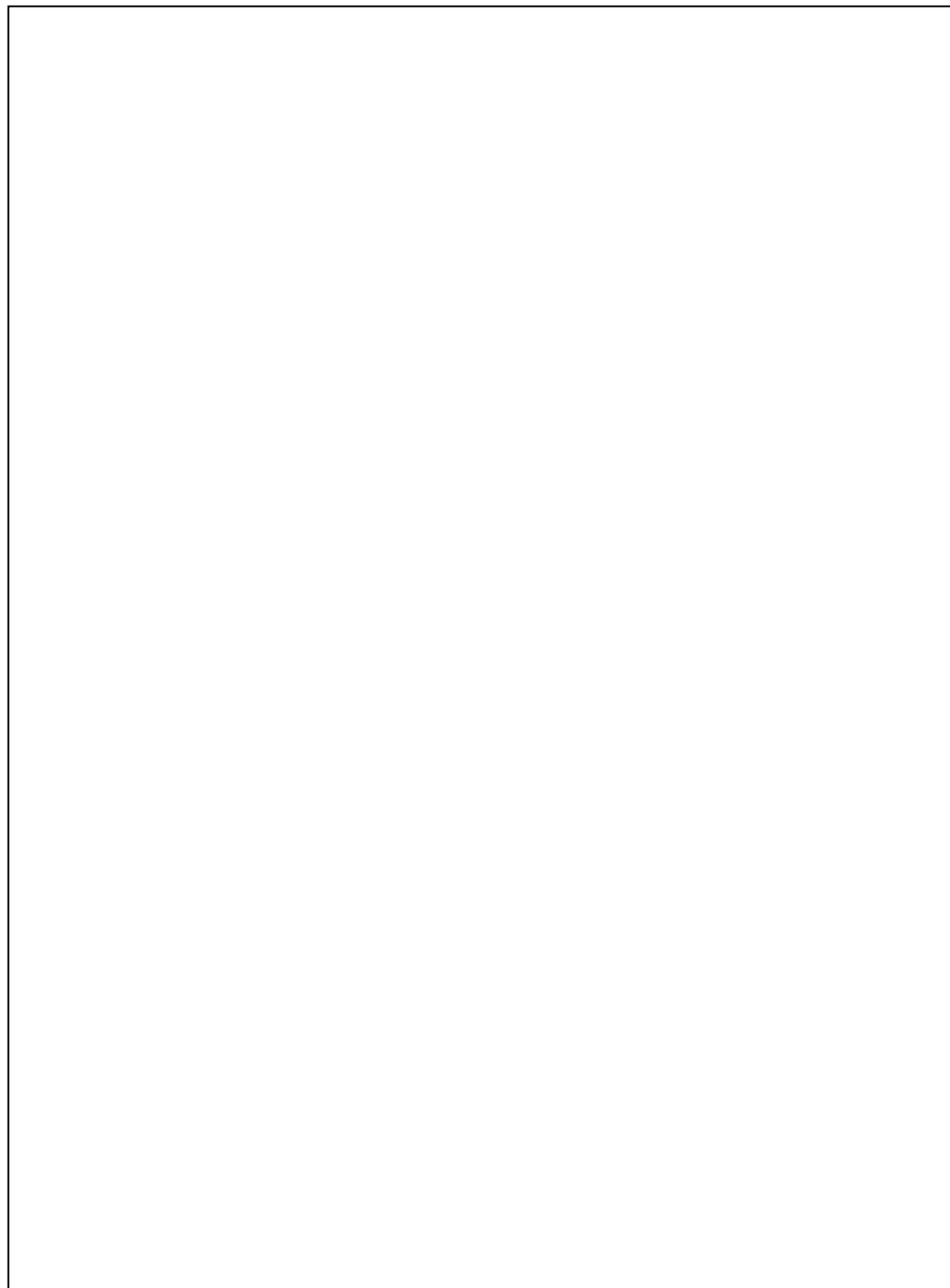
Silica 21 rectangular - Anbaubox / Attachment box

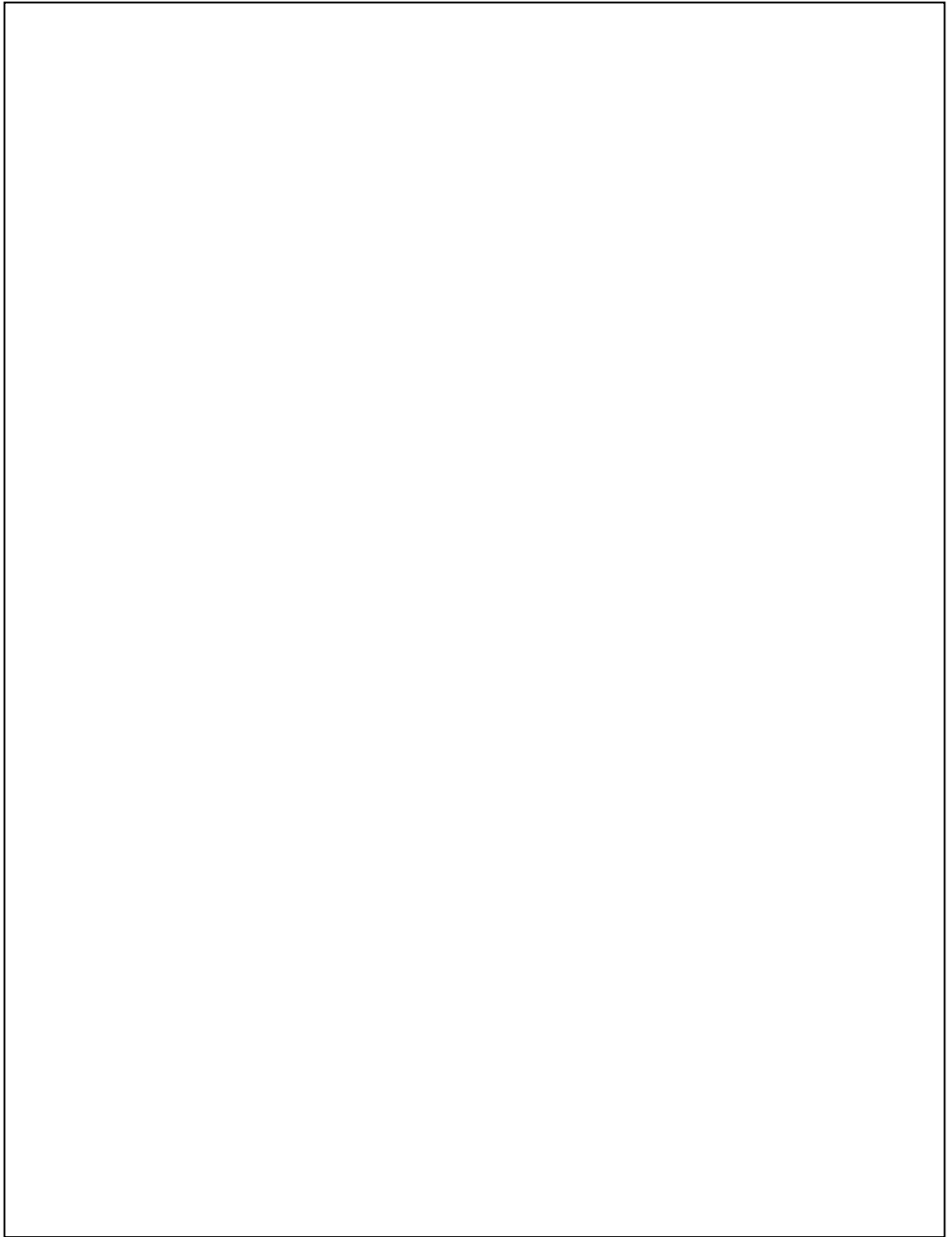


5









5MA41-271380\_ad  
18.03.2026 / PZ

Siteco GmbH  
Georg-Simon-Ohm-Straße 50  
83301 Traunreut, Germany  
mail: [technicalsupport@siteco.de](mailto:technicalsupport@siteco.de)  
Phone: +49 8669 / 33-844  
[www.siteco.com](http://www.siteco.com)