

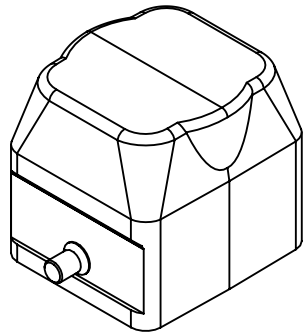
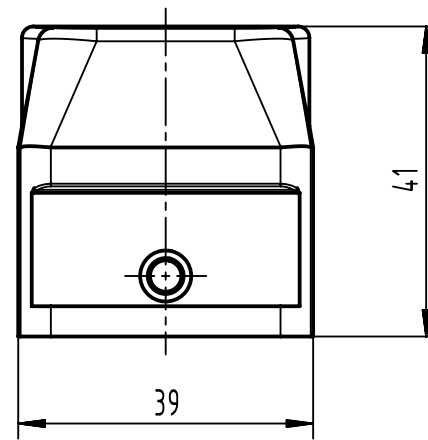
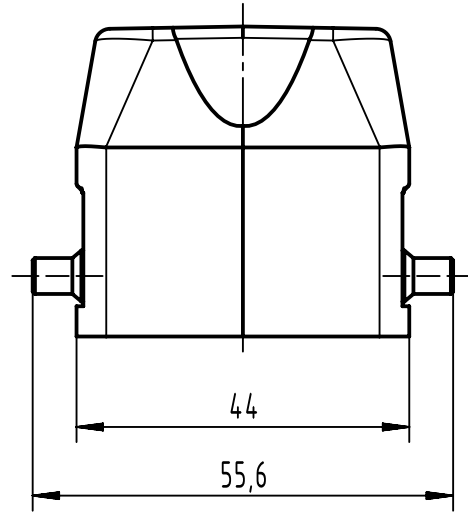
1 2 3 4 5 6



A

B

C

D



	All rights reserved Department EL PD	Created by SPRENB	Inspected by GERB	Standardisation	Date 2023-02-06	State Final Release	
		Title Han-Modular Twin Kappe					Doc-Key / ECM-Nr. 100536844/UGD/001/D 500000236098
HARTING D-32339 Espelkamp		Type TB	Number 09 14 002 5401			Rev. D	Page 1/1
 All Dimensions in mm Original Size DIN A4		Scale 1:1	Free size tol.			Ref.	Sub.