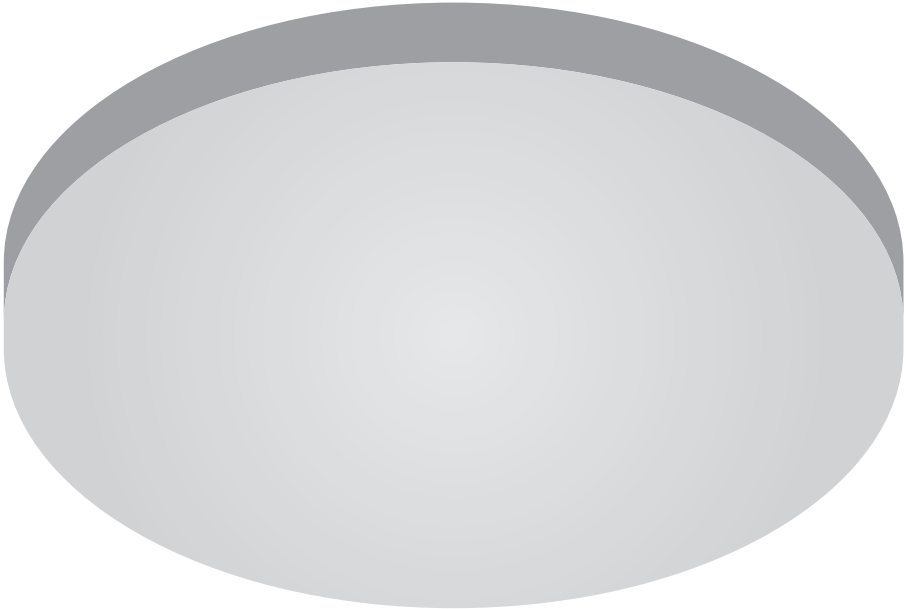
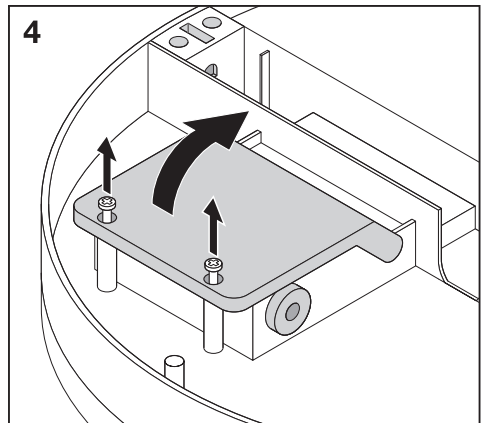
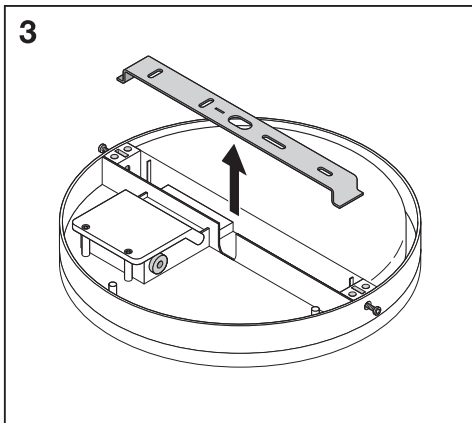
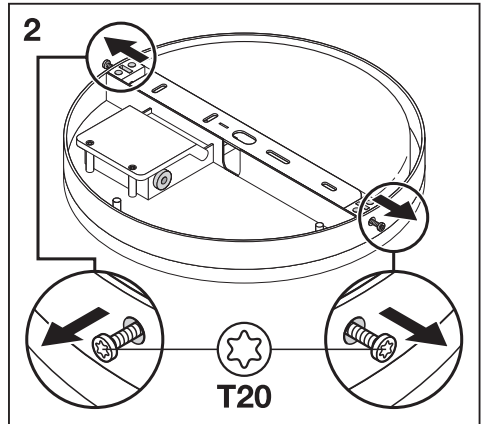
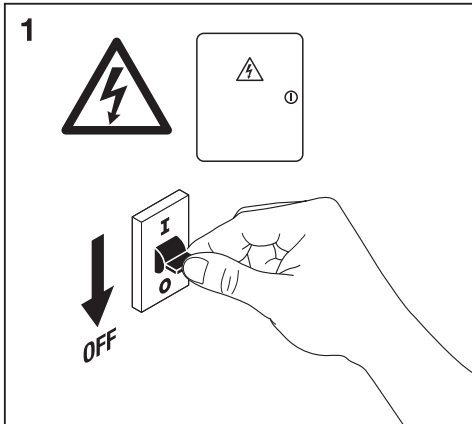
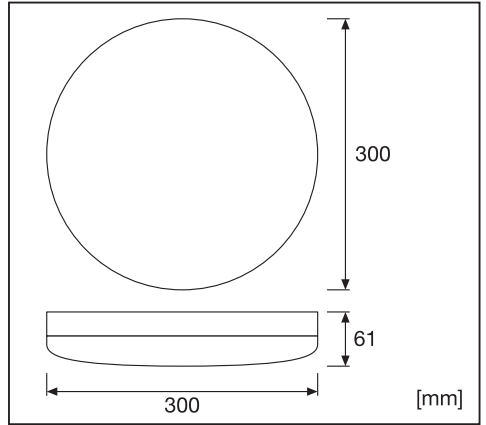
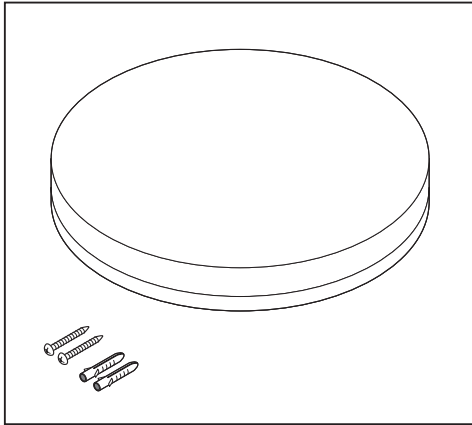
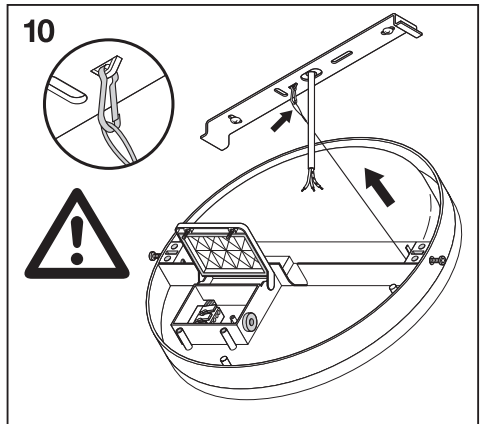
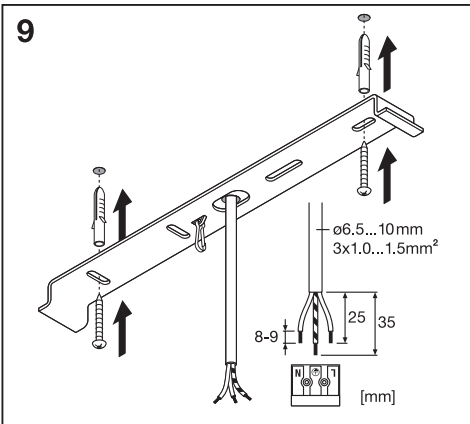
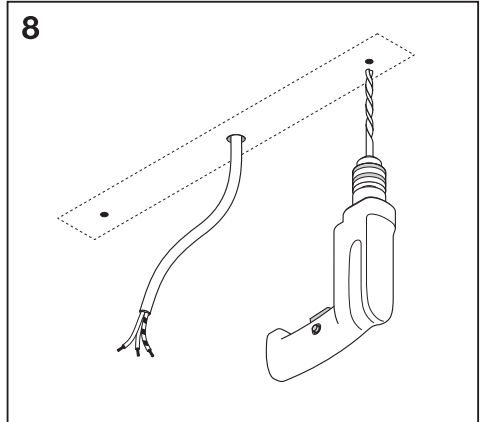
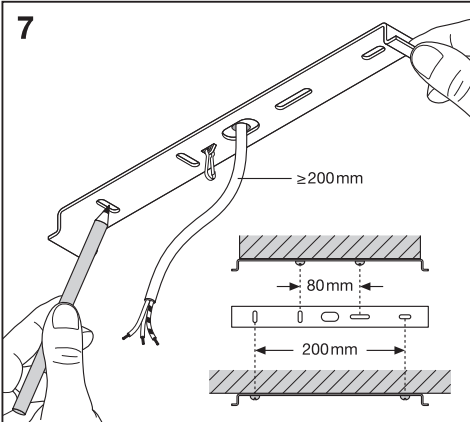
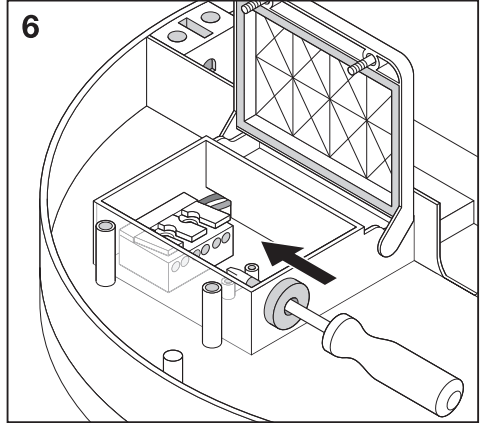
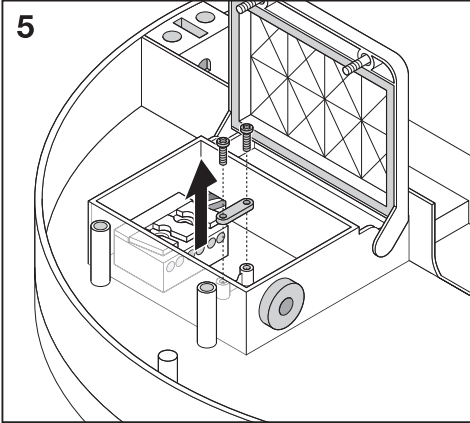

SURFACE COMPACT IK10

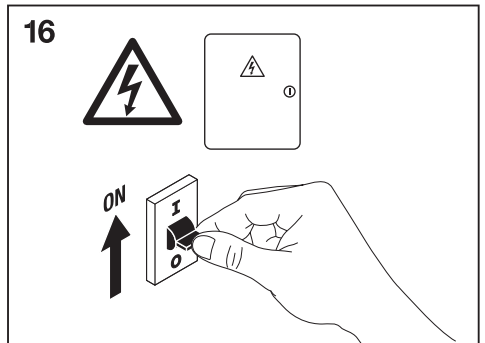
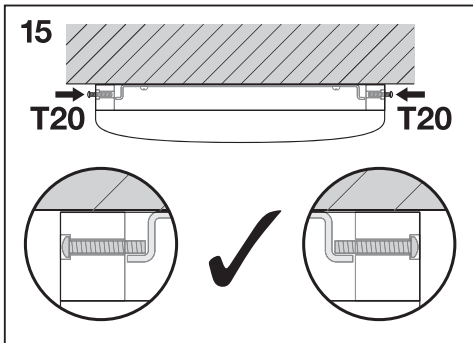
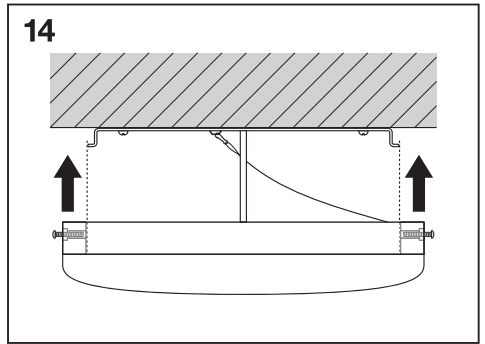
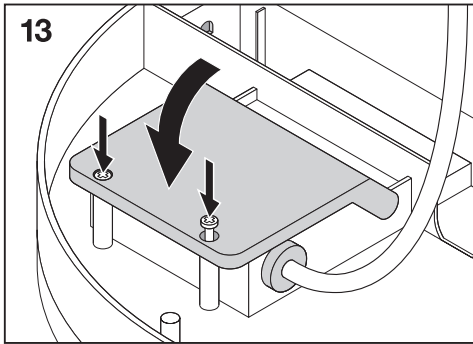
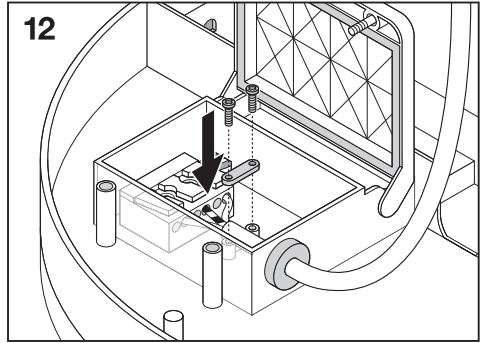
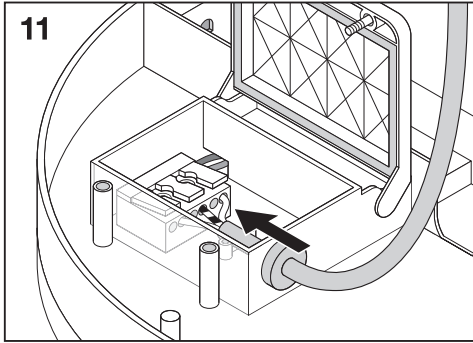


	EAN	Ø x h [mm]	W	lm	lm/W	K	IP	IK
SURFACE CIRCULAR COMPACT	4058075062207	300 x 61	24	1800	75	3000	65	10
SURFACE CIRCULAR COMPACT	4058075062221	300 x 61	24	1920	80	4000	65	10

	EAN	°C	V _{AC}	Hz	∠	PF	R _a	👤
SURFACE CIRCULAR COMPACT	4058075062207	-20 ... +50	220-240V	50/60 Hz	120°	> 0.9	> 80	0.9 kg
SURFACE CIRCULAR COMPACT	4058075062221	-20 ... +50	220-240V	50/60 Hz	120°	> 0.9	> 80	0.9 kg



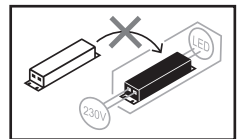
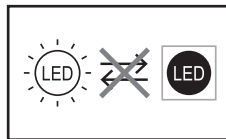




RoHS



ERC



C10449057
G11039957V2
23.04.21



LEDVANCE GmbH
Steinerne Furt 62
86167 Augsburg, Germany
www.ledvance.com