

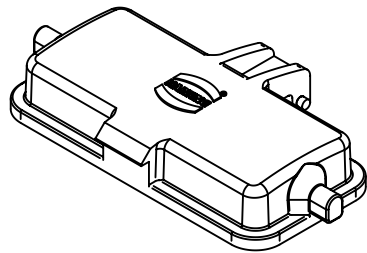
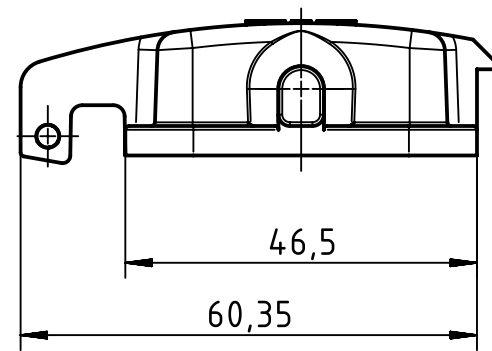
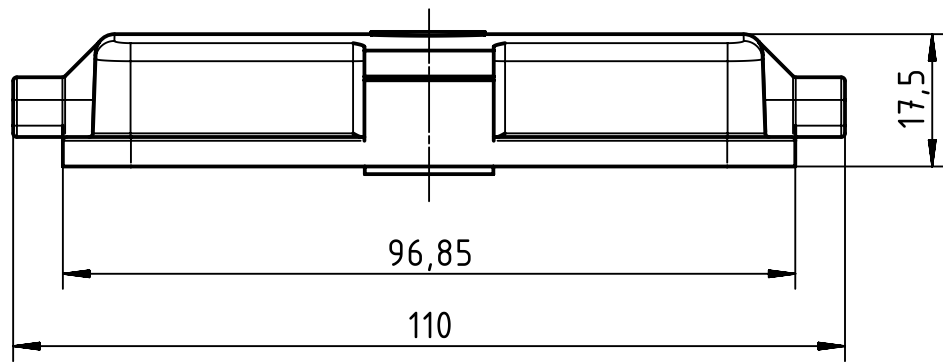
1 2 3 4 5 6

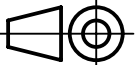

A

B

C

D



Coating	A=	mm ²	V=	mm ³	m=	g	Mat.
	All Dimensions in mm Original Size DIN A4		Scale 1:1	Free size tol.			Ref.
	All rights reserved Department EL PD - DE		Created by HARLASSK	Inspected by SCHNIEDER	Standardisation SCHMIDTM	Date 2015-05-22	State Final Release
HARTING Electric GmbH & Co. KG D-32339 Espelkamp			Title Han 16 B Plastic Protect Cover			Doc-Key / ECM-Nr. 100088111/UGD/005/A 500000089228	
			Type TB	Number 09 30 016 5410			Rev. A Page 1/1