

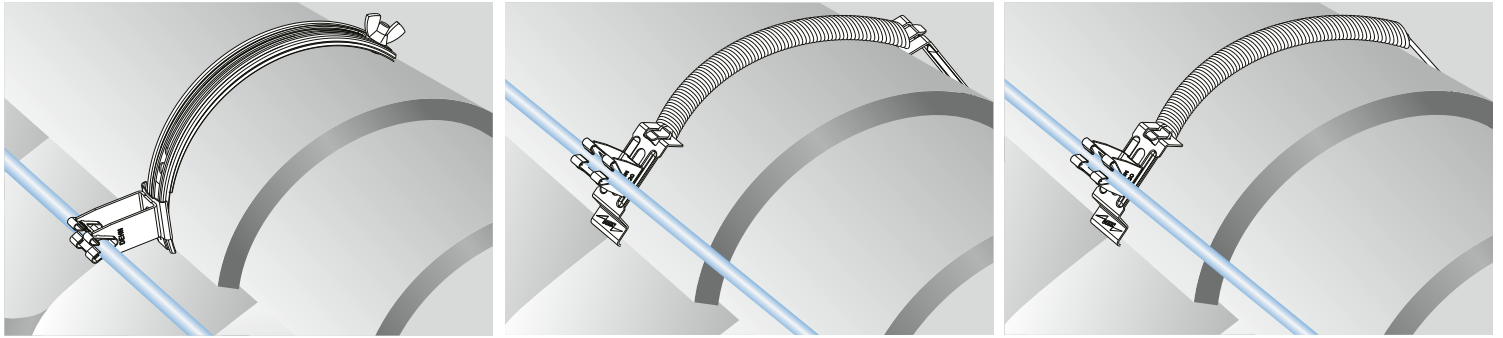
IEC 60417-6182:
Installation,
electrotechnical expertise

IEC 60417-6183:
Installation,
mechanical expertise

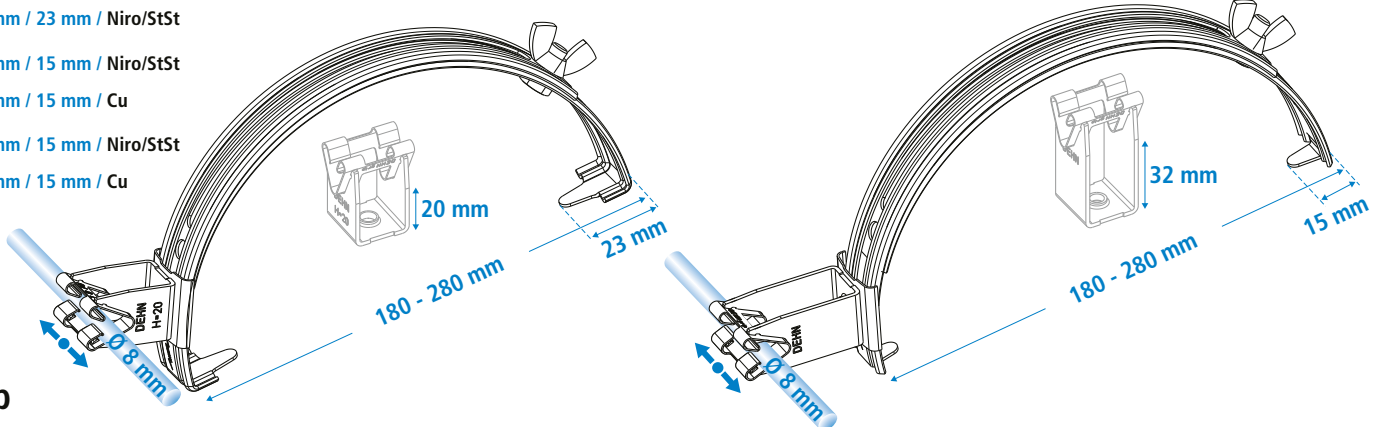
	St/tZn	Al	Cu	Niro/StSt	Ti	Sn
St/tZn	✓	✓	✗	✓	✓	✓
Al	✓	✓	✗	✓	✓	✓
Cu	✗	✗	✓	✓	✗	✓
Niro/StSt	✓	✓	✓	✓	✓	✓
Ti	✓	✓	✗	✓	✓	✓
Sn	✓	✓	✓	✓	✓	✓

DIN EN 62561-4

250 mm
max. 200 N

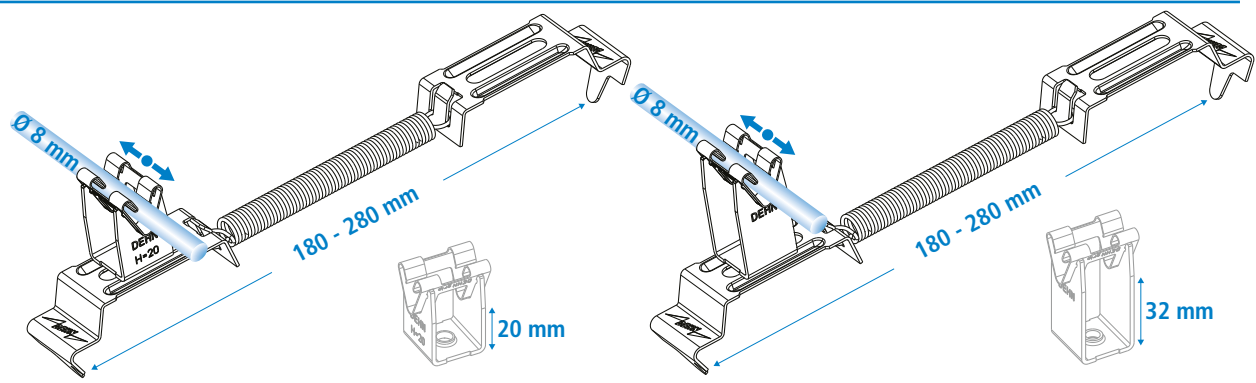


- 206 109 20 mm / 23 mm / Niro/StSt
- 206 809 20 mm / 15 mm / Niro/StSt
- 206 807 20 mm / 15 mm / Cu
- 206 819 32 mm / 15 mm / Niro/StSt
- 206 817 32 mm / 15 mm / Cu



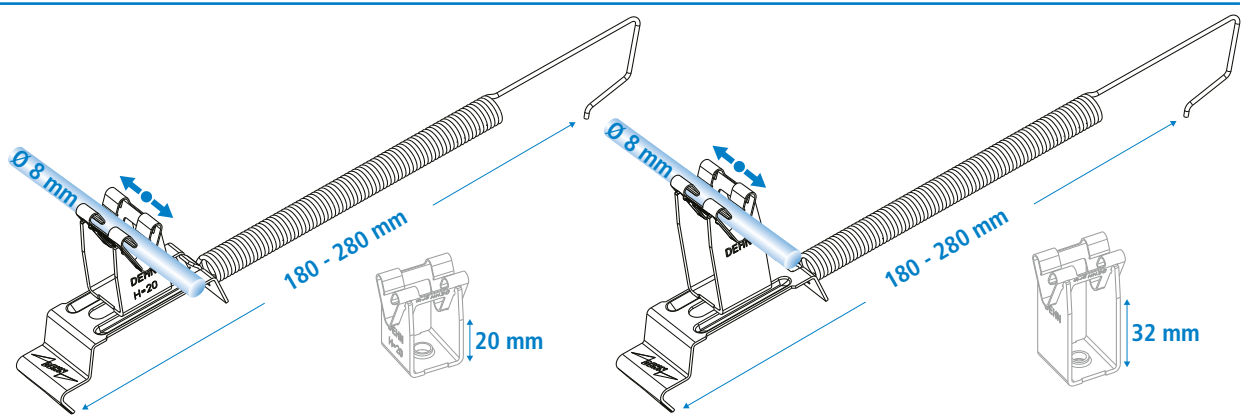
DEHNgrip

- 206 239 20 mm / Niro/StSt
- 206 237 20 mm / Cu
- 206 249 32 mm / Niro/StSt
- 206 247 32 mm / Cu



SPANNgrip

- 206 439 20 mm / Niro/StSt
- 206 449 32 mm / Niro/StSt



SPANNgrip light