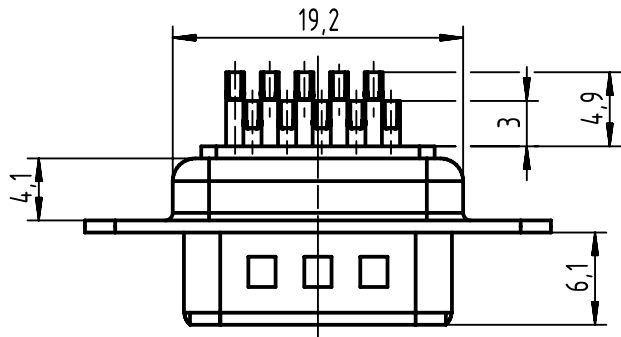
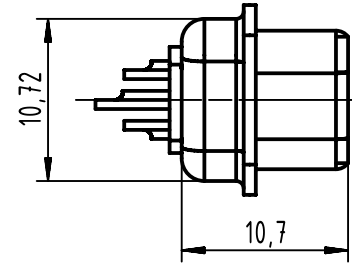
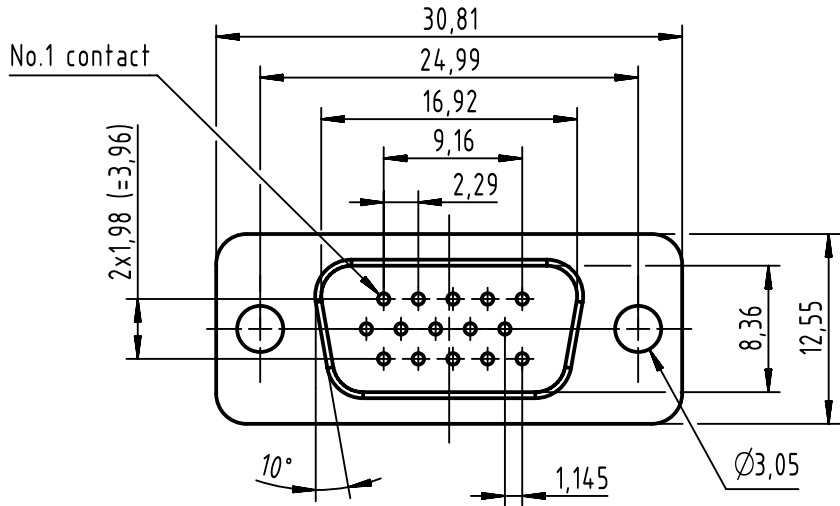


1 2 3 4 5 6



Entry hole type: stamped contact

	All rights reserved Department EL PD	All Dimensions in mm Original Size DIN A4	Scale 2:1	Free size tol.	Ref.
		HARTING D-32339 Espelkamp	Created by ZHUANGJ	Inspected by LUOK	Standardisation ROEBEN
Title D-Sub HD 15-pole male straight solder cup					Doc-Key / ECM-Nr. 100513263/UGD/001/C 500000265314
09 56 100 5615 050	S4	Type TB	Number 09561005615050		Rev. C
Part number	Performance level			Page 1/1	