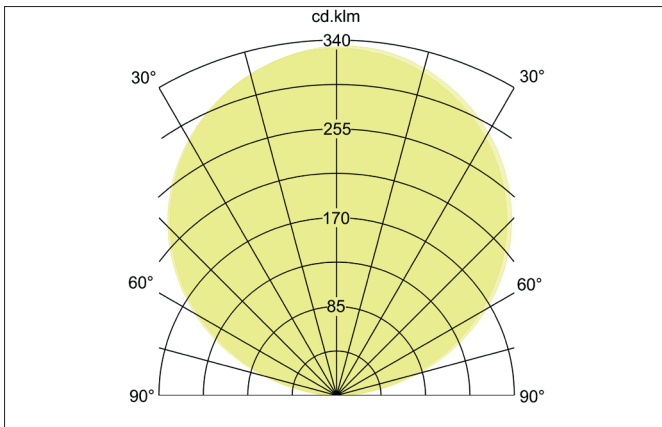
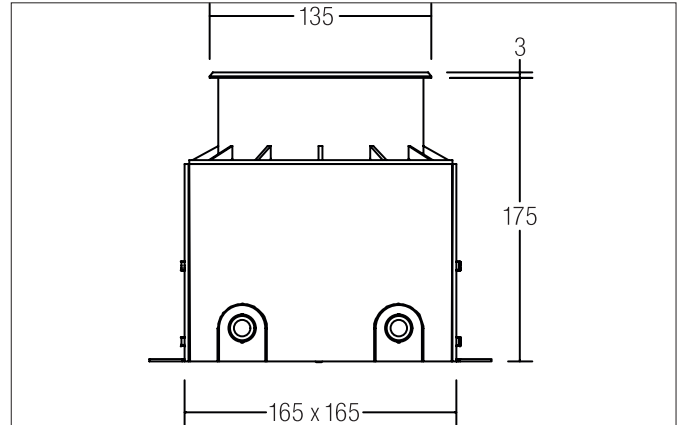


HYBRIDE LED-floor recessed light, V4A, IP67  
 Article no. 14661223

Light.  
 For Generations.



**Tender**  
 LED-floor recessed light, V4A, IP67, Round. Installation opening L x W 165 x 165 mm Installation depth 175 mm, Weight 1,970 Kg, with rotationssymmetrical, deep, wide distributed light intensity. optimal light distribution due to a glass structured cover. Luminous flux 350 lm, Power 1 x 7,8 W, System Efficiency 45 lm/W, Light colour warm white, Correlated color temperature (CCT) 3.000 K, Colour rendering index CRI > 80, Permissible ambient temperature (ta): -20 °C - +25 °C, Protection class (EN 61140): I, Degree of protection (DIN EN 60529): IP67, shock resistance according to IEC62262: IK09, Incl. converter for connection to the 230-V mains voltage, on/off, floor installation pot and 5,000 mm connecting cable., Max. load 1.000 Kg, The recessed luminaire is not suitable for installation in traffic areas. With electronic driver, on/off .

Article data	
Article no.	14661223
GTIN	4251433917250
Series name	HYBRIDE
Short description	LED-floor recessed light, V4A, IP67
Material	Stainless steel / Aluminium / Glass
Colour	Stainless steel
Shape	Round
Outer diameter	135 mm
Built-in width	165 mm
Built-in length	165 mm
Installation depth	175 mm
Scope of delivery	Incl. converter for connection to the 230-V mains voltage, on/off, floor installation pot and 5,000 mm connecting cable.
Weight	1.970 kg

HYBRIDE LED-floor recessed light, V4A, IP67  
Article no. 14661223

Light.  
For Generations.

Lighting technology	
Colour temperature	3000 K
Light colour	White
Luminous flux	350 lm
System efficiency	45 lm/W
Colour rendering	CRI > 80
Reflector	Without
Beam angle	117°
Light sharing	Symmetric

Operating technology of the luminaire	
System output	7.8 W
Voltage type	AC
AC nominal voltage max	230 V
Frequenz max.	50 Hz
Lamp	LED
Protection class	I
Degree of protection	IP67
Control	on/off
Bulb change possible	Yes

Mounting technology	
Mounting method	Recessed mounting
Place of installation	Floor-mounted
Adjustability	Not adjustable
Max. load	1,000 kg
Over rollable	No
Impact resistance	IK09
Further references	V4A
Material cover	Glass structured
Suitable for through-wiring	Yes

Packing data	
Gross weight	3.095 kg
Length of packaging	310 mm
Packaging width	310 mm
Packaging height	200 mm
Disposal at end of life	This product must not be disposed of with household waste. You are obliged, to dispose of such electrical waste separately. By disposing of electrical waste and other old or defective electronics separately, you support recycling or other forms of re-use. In that way you help to take care and to avoid that harmful substances get into the environment.