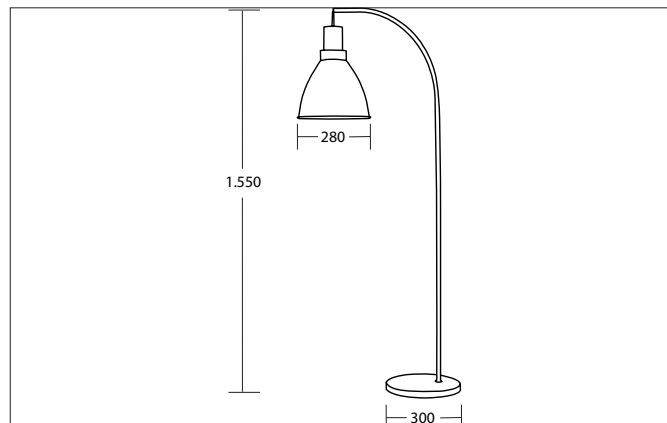



BRENTTHIS Floor luminaire , for E27 LED retrofit lamp, with metal shade

Article no. 57414080


Tender

Floor luminaire , for E27 LED retrofit lamp, with metal shade, wood / black matt, Round. Compact design for harmonious implementation in well-rounded architectural room concepts. Lamp holder: E27, Mounting method: Surface mounting, Place of installation: Floor-mounted, Material: Wood / Steel, Degree of protection: according to DIN EN 60529 IP20, Protection class: (EN 61140) I, Voltage: 230V AC 50Hz, Power: 15 W, Amount of light sources / fittings: 1 piece, Adjustability: Not adjustable, without control gear, Type of dimming: Other.

Article data	
Article no.	57414080
GTIN	4255752510284
Series name	BRENTTHIS
Short description	Floor luminaire , for E27 LED retrofit lamp, with metal shade
Material	Wood / Steel
Colour	wood / black matt
Type of surface	Matt
Shape	Round
Length	630 mm
Width	280 mm
Height	1,540 mm
Scope of delivery	inkl. ca. 2.500 mm sichtbare, schwarze Zuleitung mit Schnurzwischentretschalter und Euro-flachstecker
Weight	7.2 kg
Conformance	CE, UKCA


BRENTHIS Floor luminaire , for E27 LED retrofit lamp, with metal shade

Article no. 57414080

Lighting technology	
Light output	Direct
Light sharing	Symmetric
Adjustable color temperature	No

Operating technology of the luminaire	
Voltage type	AC
AC nominal voltage max	230 V
Frequency max	50 Hz
Lamp	For LED-retrofill lamp
Lamp holder	E27
Protection class	I
Degree of protection	IP20
Control	Other
Bulb change possible	Yes
Energy efficiency class	not required

Mounting technology	
Mounting method	Surface mounting
Place of installation	Floor-mounted
Adjustability	Not adjustable
Material cover	Without cover

Packing data	
Gross weight	8.8 kg
Length of packaging	650 mm
Packaging width	350 mm
Packaging height	310 mm
Disposal at end of life	<p>This product must not be disposed of with household waste. You are obliged, to dispose of such electrical waste separately.</p> <p>By disposing of electrical waste and other old or defective electronics separately, you support recycling or other forms of re-use. In that way you help to take care and to avoid that harmful substances get into the environment.</p>