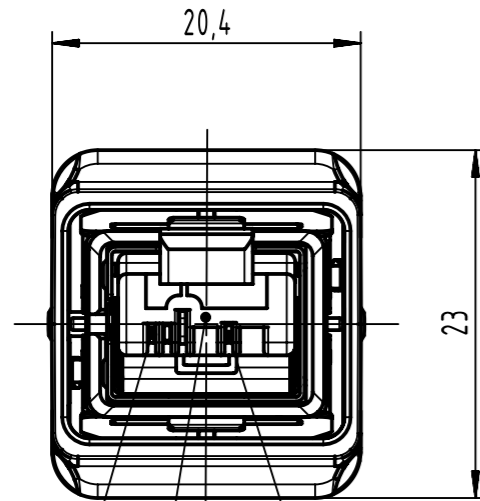
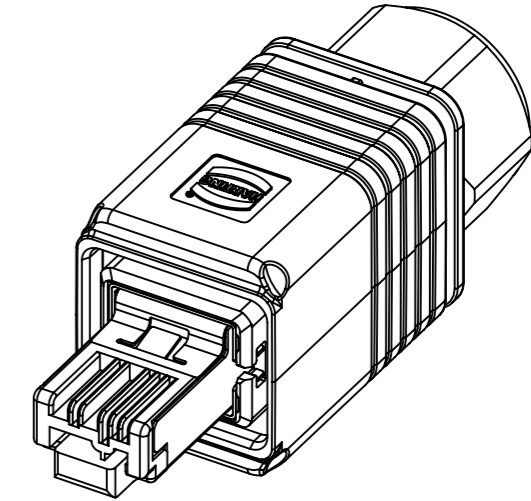
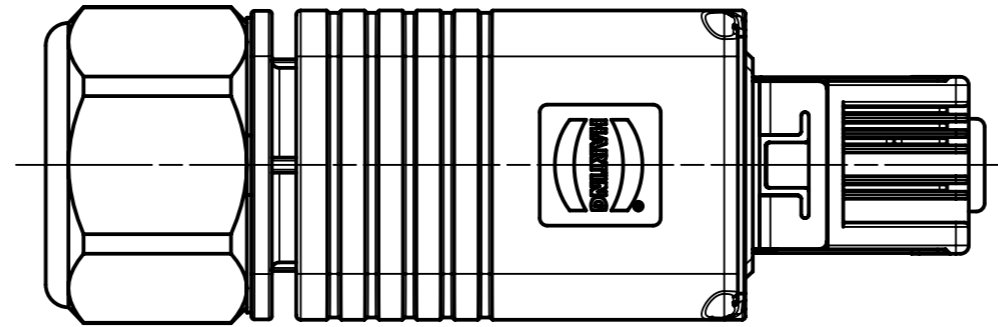
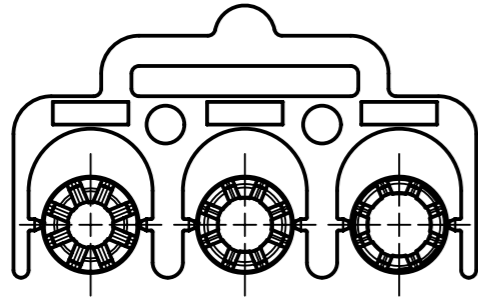
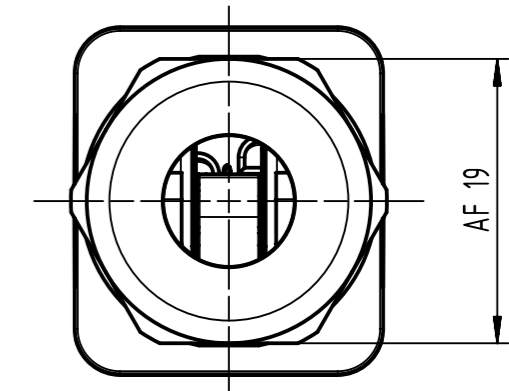
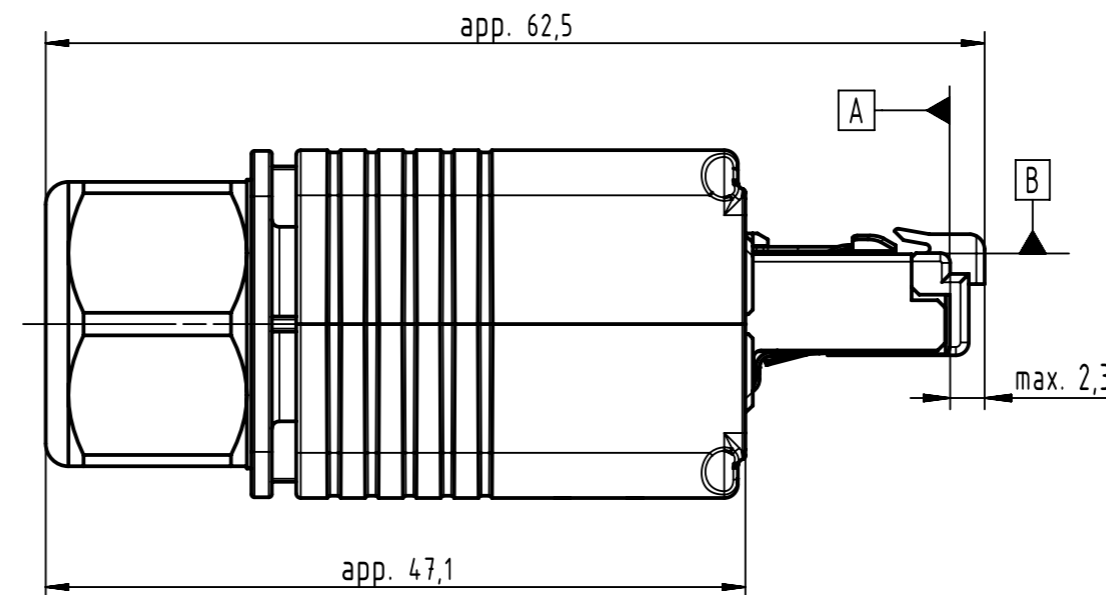



sealings (1:1)



contact 1  
 mating face  
 acc. to  
 IEC 60603-7  
 contact 6



IDC assembly tool is included  
 further information see product data sheet

 All rights reserved Department EL PD HARTING D-32339 Espelkamp	All Dimensions in mm Original Size DIN A3	Scale 2:1	Free size tol.	Ref. Sub.
	Created by ELLERMANN	Inspected by ZWAHR	Standardisation SAP_WFRT	Date 2022-01-27
Title HPP V4 RJ45 plug metal Cat.5 4-pole				Doc-Key / ECM-Nr. 100220504/UGD/001/D 500000210301
Type TB		Number 09451951100		Rev. D
				Page 1/1