

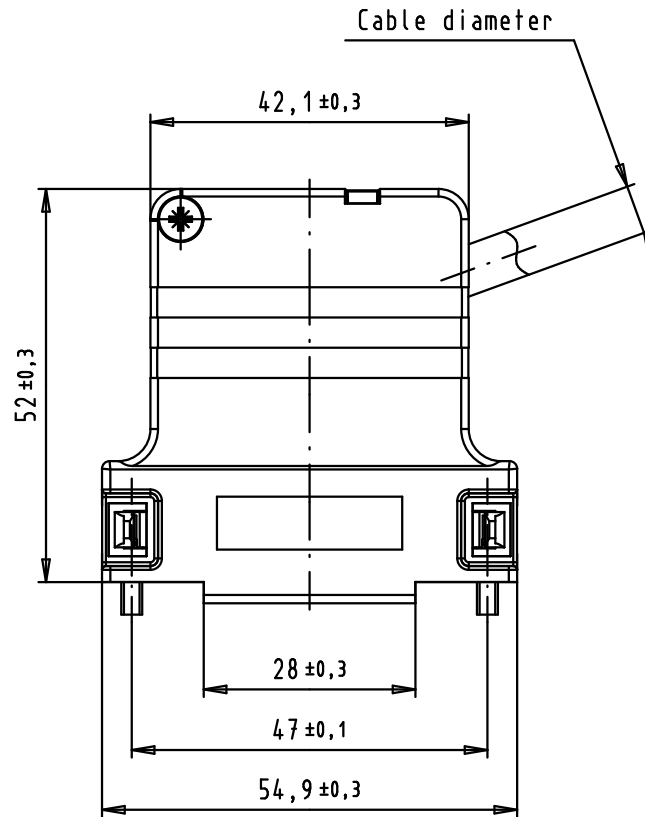
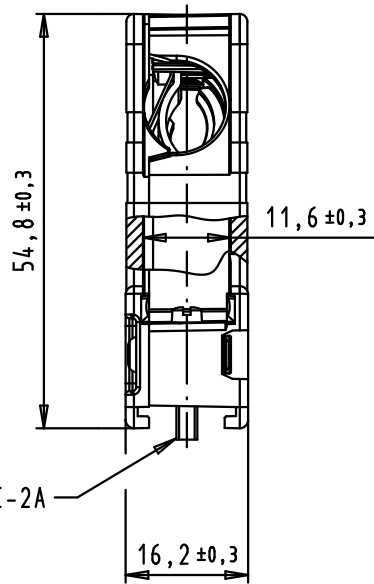
5

4

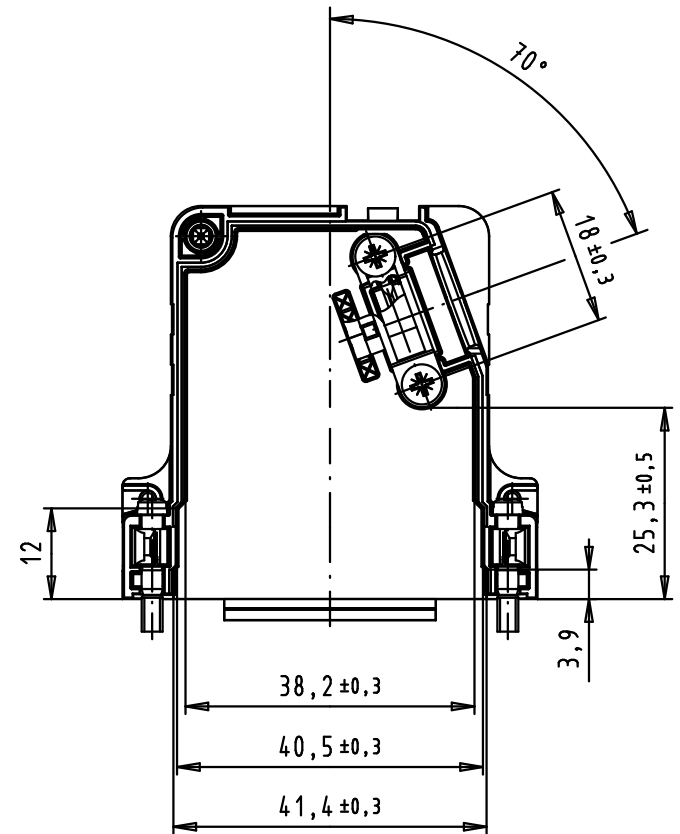
3

2

1

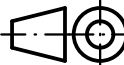



View without cover



Minimum cable diameter : $\phi 4$
 Maximum cable diameter : $\phi 12$

Maximum screwing torque for hood assembly: 0,4 N.m

				Dat.	Name	 All Dim. in mm Orig. Size DIN A 4	D-Sub, 25 poles, metallized, side entry, short screws	Maßstab/ Scale 1:1
			Detail.	22/03/11	SC			
			Insp.	13/05/11	JB			
			Stand.					
EC03120	13/05/11	SD	HARTING EURL F-95972 Paris				TB 09 67 025 0448	Blatt/ Page 1 / 1
EC02994			Mod.	Dat.	Name			