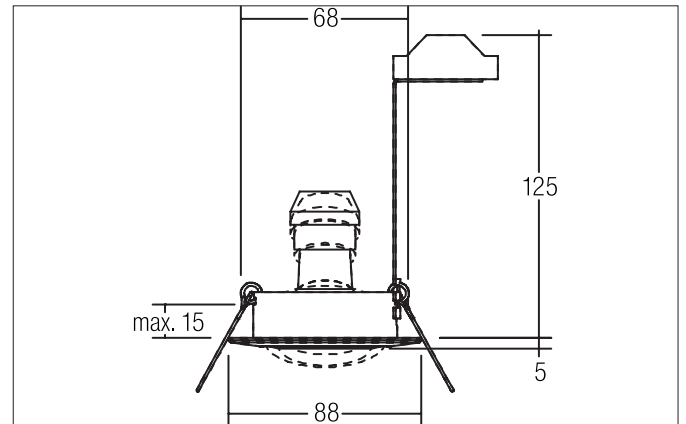


Recessed spot, GU 10

Article no. 36141150

Light.
For Generations.**Tender**

Recessed spot, GU10, nickel, Round. In a compact design, for installation in tool-less rapid assembly systems. Including bracket with GU10 socket for standard-compliant strain relief. Lamp holder: GU10, Mounting method: Recessed mounting, Place of installation: Ceiling-mounted, Material: Zinc casting / Aluminium casting, Degree of protection: according to DIN EN 60529 IP20, Protection class: (EN 61140) II, Voltage: 230V AC 50Hz, Power: 50W, Amount of light sources / fittings: 1.0 Qty, Adjustability: Pivoted, Control: Other.

| Article data | |
|--------------------|---------------------|
| Article no. | 36141150 |
| GTIN | 4250047780403 |
| Short description | Recessed spot, GU10 |
| Material | Cast iron |
| Colour | Nickel |
| Type of surface | Matt |
| Shape | Round |
| Outer diameter | 88 mm |
| Built-in diameter | 68 mm |
| Installation depth | 125 mm |
| Hight | 5 mm |
| Weight | 0.125 kg |

Recessed spot, GU 10

Article no. 36141150

Light.
For Generations.

| Operating technology of the luminaire | |
|---------------------------------------|------------------------|
| System output | 50 W |
| Voltage type | AC |
| AC nominal voltage max | 230 V |
| Frequenz max. | 50 Hz |
| Lamp | for LED-retrofill lamp |
| Lamp holder | GU10 |
| Protection class | II |
| Degree of protection | IP20 |
| Control | Other |
| Bulb change possible | Yes |

| Mounting technology | |
|------------------------|---|
| Mounting method | Recessed mounting |
| Place of installation | Ceiling-mounted |
| Adjustability | Pivoted |
| Swivel angle | 25° |
| Max. ceiling thickness | 15 mm |
| Further references | No mounting box No cover with thermal insulation material |
| Material cover | Without cover |
| Circlip | Without circlip |

| Packing data | |
|-------------------------|---|
| Gross weight | 0.152 kg |
| Length of packaging | 140 mm |
| Packaging width | 110 mm |
| Packaging height | 120 mm |
| Disposal at end of life | This product must not be disposed of with household waste. You are obliged, to dispose of such electrical waste separately. By disposing of electrical waste and other old or defective electronics separately, you support recycling or other forms of re-use. In that way you help to take care and to avoid that harmful substances get into the environment. |