

Wall mounting socket outlet, switched, interlocked - housing dimensions 170x90

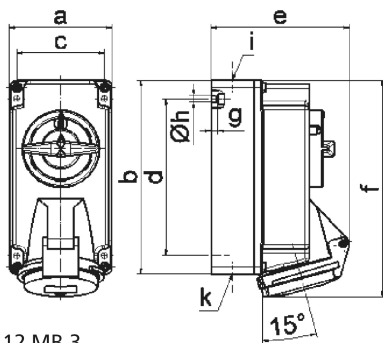


Product description	
BALS-Prd.-Nr	16008
EAN	4024941160087
Product category	TE wall mounting socket outlet, switched, interlocked
Current	16A
Number of poles	3p
Poles	2P+PE
Position of earth contact	4 h
Voltage	100 up to 130V

Product description	
Frequency	50 and 60Hz
Protection degree	IP44
Colour code	yellow RAL 1012
Colour of appliance	Hinged lid yellow RAL 1012, Housing bottom grey RAL 7035, Housing top grey RAL 7035, Control knob grey RAL 7035
Connection design	screwless spring-clamp Kontex
Maximum conductor size	4,0 qmm
Cable entry	top entry M20 bottom entry M25/20
Height	188mm
Width	90mm
Depth	108mm
Dimension of enclosure	170x90 mm (HxW)
Material of enclosure	Polycarbonate
Contact	The contact carrier is made of high temperature resistant material, the contacts are brass nickel plated

Additional technical properties	
	The cable entry is one at top open and two at bottom closed
	In 0-position lockable for 3 padlocks with bow diameter up to 7 mm, Lower part of housing rotatable by 180°

Logistics data	
Weight/pcs	0.57 kg / Piece
Packaging	Carton
Content amount	1 ST
EAN	4024941160087
Length	205 mm
Width	102 mm
Height	134 mm
Weight	0.63 kg
Volume	2,118.48 ccm



12 MB 3

Ampere	16	16	16			
Polzahl	3	4	5			
a	90,0	90,0	90,0			
b	170,0	170,0	170,0			
c	77,0	77,0	77,0			
d	137,5	137,5	137,5			
e	108,0	114,0	121,0			
f	188,5	188,5	190,0			
g	6,0	6,0	6,0			
h ø	5,5	5,5	5,5			
i	M20	M20	M20			
k	M20/25	M20/25	M20/25			