

1 2 3 4

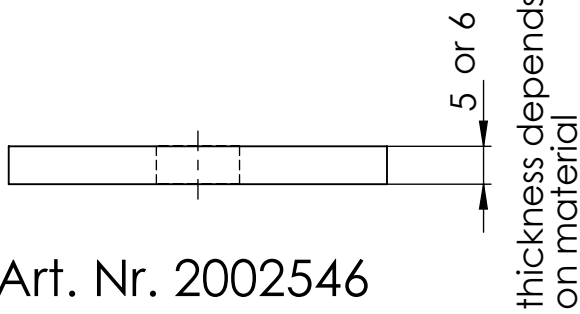
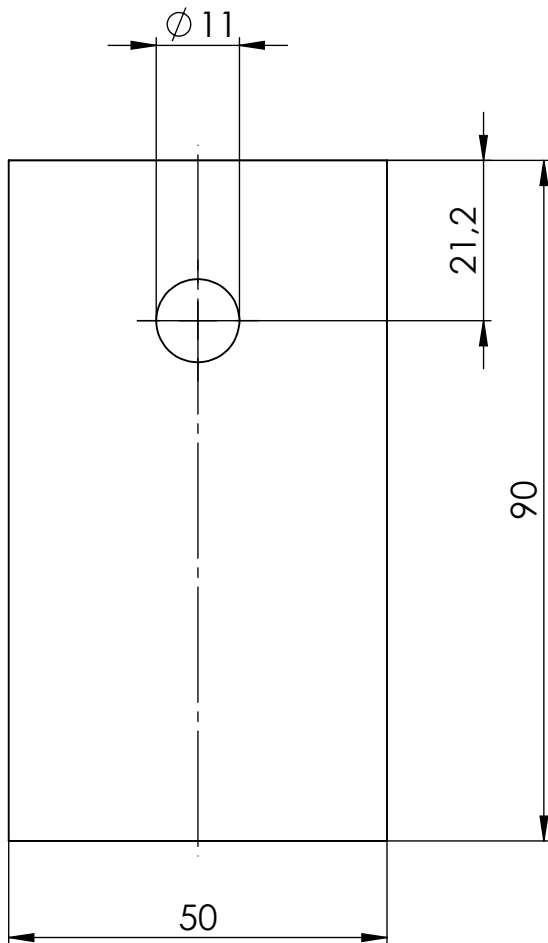
A

B

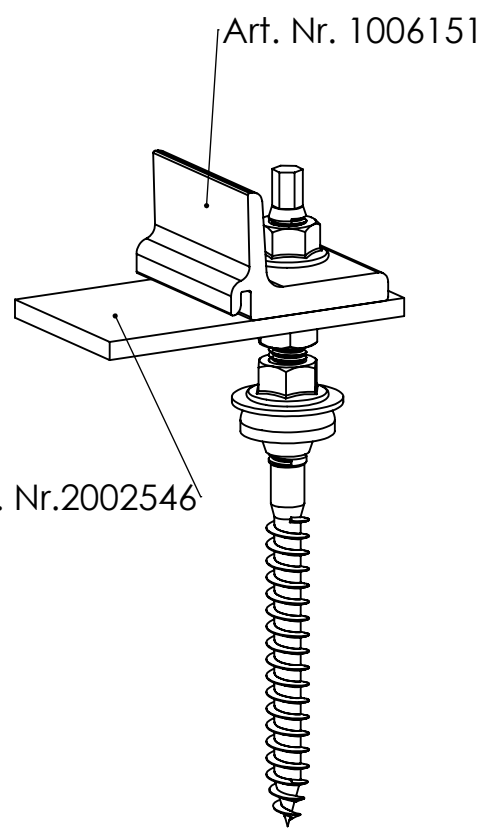
C

D

E



Art. Nr. 2002546



installation example
M1:2

For Art. Nr.:
1006166 - M 10x180
1006167 - M 10x200
1006168 - M 10x250



K2 Systems GmbH
Industriestr. 18
71272 Renningen
07159/42059-0

Designation: **Data sheet
Henger bolt
Adapter plate Alu CR M10**

	Name	Date	Material:	Henger bolt ALU: EN AW 5754 H14/ H16 EN AW 6060 T6/ T66 EN AW 6063 T66	Item no.:	A4	
Designed	M.Preiß	06.03.2017	Surface:		Drawing no.:		
Approved			Weight:	ca. 300g/ piece	Scale:		1:1
Last change	B.Koch	16.07.2019					All dimensions in mm Sheet 1 of 1

This drawing is the sole property of K2 Systems GmbH. It is protected by copyright and may only be copied, reproduced or distributed to a third party with explicit permission!