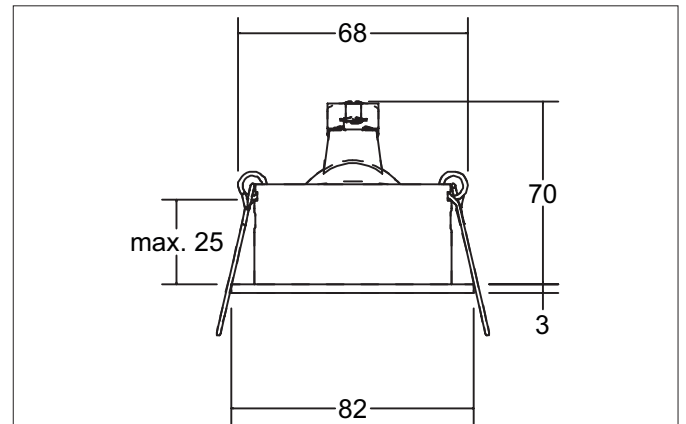


Recessed spot, GX5,3
Article no. 0063.60

Light.
For Generations.



Tender

Recessed spot, GX5,3, white, Round. In a compact design, for installation in tool-less rapid assembly systems. Lamp holder: GX5.3, Mounting method: Recessed mounting, Place of installation: Ceiling-mounted, Material: Aluminium, Degree of protection: according to DIN EN 60529 IP20, Protection class: (EN 61140) III, Voltage: 12V, Power: 50W, Amount of light sources / fittings: 1.0 Qty, Adjustability: Pivoted, With control gear: No, Dimmable: Depending on type of control gear, Control: Dimming depending on driver.

Article data	
Article no.	0063.60
GTIN	4251433916598
Short description	Recessed spot, GX5,3
Material	Aluminium
Colour	White
Type of surface	Matt
Shape	Round
Outer diameter	82 mm
Built-in diameter	68 mm
Installation depth	70 mm
Hight	3 mm
Weight	0.089 kg

Recessed spot, GX5,3
Article no. 0063.60

Light.
For Generations.

Operating technology of the luminaire	
System output	50 W
Voltage type	AC/DC
AC nominal voltage max	12 V
Frequenz max.	50 Hz
Lamp	for LED-retrofill lamp
Lamp holder	GX5.3
Protection class	III
Degree of protection	IP20
Dimmable	Depending on type of control gear
Control	Dimming depending on driver
Bulb change possible	Yes

Mounting technology	
Mounting method	Recessed mounting
Place of installation	Ceiling-mounted
Adjustability	Pivoted
Swivel angle	25°
Max. ceiling thickness	25 mm
Further references	No cover with thermal insulation material
Material cover	Without cover
Circlip	Without circlip

Packing data	
Gross weight	0.119 kg
Length of packaging	85 mm
Packaging width	55 mm
Packaging height	85 mm
Disposal at end of life	This product must not be disposed of with household waste. You are obliged, to dispose of such electrical waste separately. By disposing of electrical waste and other old or defective electronics separately, you support recycling or other forms of re-use. In that way you help to take care and to avoid that harmful substances get into the environment.

Recessed spot, GX5,3
Article no. 0063.60

Light.
For Generations.

Compatible LED-modules						
Article no.	Power	Beam angle	Colour temperature	Luminous flux	Input	Hight LED-Modul
12925003	3 W	38°	2700 K	290 lm	350 mA	40 mm
12926003	3 W	38°	3000 K	310 lm	350 mA	40 mm
12925004	3 W	38°	4000 K	340 lm	350 mA	40 mm
12923383	6 W	38°	2700 K	600 lm	350 mA	32 mm
12923603	6 W	60°	2700 K	570 lm	350 mA	32 mm
12924383	6 W	38°	3000 K	680 lm	350 mA	32 mm
12924603	6 W	60°	3000 K	660 lm	350 mA	32 mm
12924384	6 W	38°	3500 K	680 lm	350 mA	32 mm
12924604	6 W	60°	3500 K	660 lm	350 mA	32 mm
12923384	6 W	38°	4000 K	720 lm	350 mA	32 mm
12923604	6 W	60°	4000 K	700 lm	350 mA	32 mm
12920183	6 W	18°	3000 K	640 lm	350 mA	31 mm
12920243	6 W	24°	3000 K	690 lm	350 mA	31 mm
12920003	6 W	38°	3000 K	670 lm	350 mA	31 mm
12920603	6 W	60°	3000 K	620 lm	350 mA	31 mm
12920184	6 W	18°	4000 K	685 lm	350 mA	31 mm
12920244	6 W	24°	4000 K	740 lm	350 mA	31 mm
12920004	6 W	38°	4000 K	720 lm	350 mA	31 mm
12920604	6 W	60°	4000 K	660 lm	350 mA	31 mm
12963383	6 W	38°	3000 K - 1800 K	460 lm	350 mA	32 mm
12963603	6 W	60°	3000 K - 1800 K	430 lm	350 mA	32 mm
12953003	12 W	38°	2700 K	1,120 lm	350 mA	70 mm
12954003	12 W	38°	3000 K	1,210 lm	350 mA	70 mm
12954004	12 W	38°	3500 K	1,240 lm	350 mA	70 mm
12953004	12 W	38°	4000 K	1,250 lm	350 mA	70 mm
12965003	12 W	38°	3000 K - 1800 K	930 lm	350 mA	70 mm
12983003	12.5 W	38°	3000 K	920 lm	350 mA	95 mm
18101001	13.8 W	45°	RGB		12.00 V	52 mm
12823003	8 W	60°	2850 K	900 lm	24.00 V	50 mm
12843004	8 W	60°	2000 K - 6500 K	700 lm	24.00 V	50 mm
18438002	8 W	60°	RGB+WW	400 lm	24.00 V	50 mm