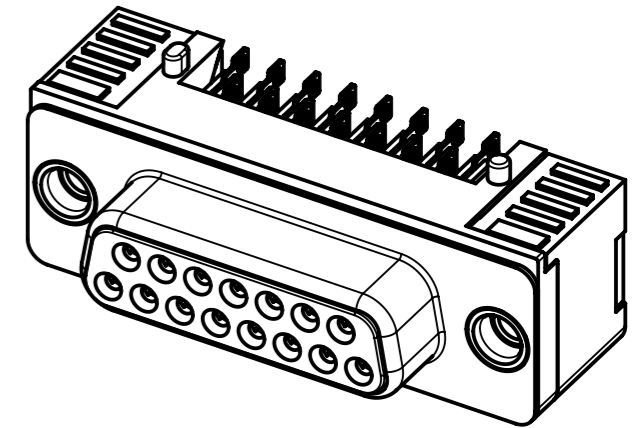
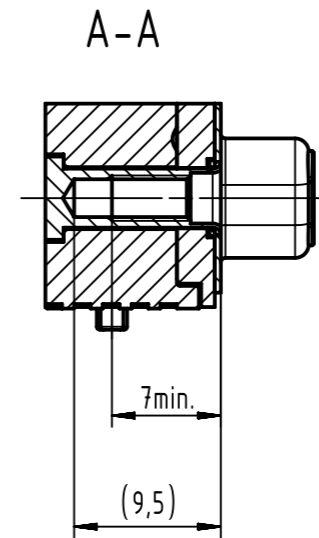
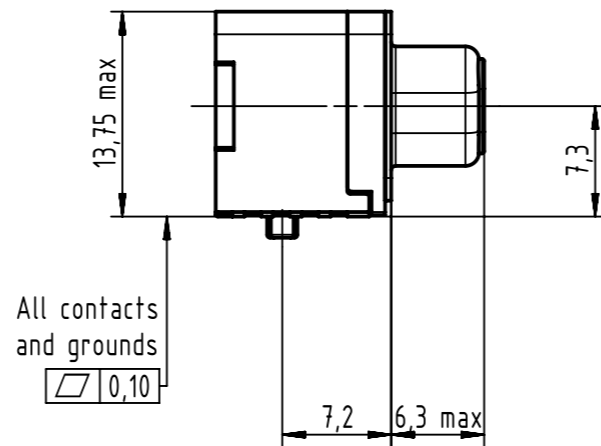
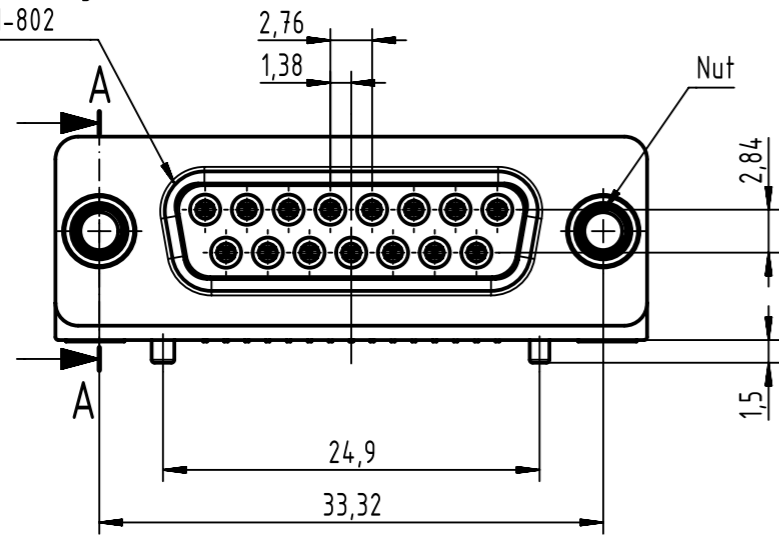


Mating face according to CECC 75301-802



Max. Temperature: 260°C during 10 seconds.  
Find further technical information on DS 09550200301.

0955 256 6612 333	2	4-40 UNC	Black insulator	Samples
0955 256 3612 741	1			Reel packaging (140 connectors)
0955 256 6612 741	2			
0955 256 7612 741	3	M3		
0955 256 3611 741	1			
0955 256 6611 741	2			
0955 256 7611 741	3			
Part number	PL	Nut	Index designation	

	All Dimensions in mm Original Size DIN A3	Scale 2:1	Free size tol.	Ref.
	All rights reserved	Created by ZHUANGJ	Inspected by LUOK	Standardisation HOFFMANN
Department EL PD	Title D-Sub angled standard SMT 15-pole female ass with screw nut		Date 2018-11-16	State Final Release
HARTING Electronics GmbH D-32339 Espelkamp	Type TB	Number 0955256X61X	Doc-Key / ECM-Nr. 100512302/UGD/001/C 50000014.1375	Rev. C Page 1/1