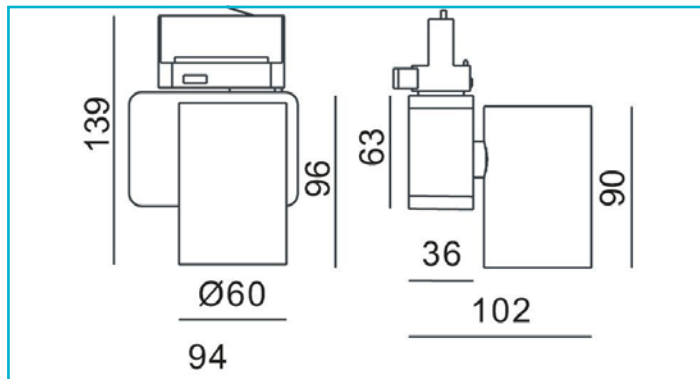


Art. no. 707037

Three-phase spotlight Nihal Mini, 15 W, DIM, 3000 K, black

 DEKOLIGHT



<b>Housing Material</b>	Die-cast aluminium
<b>Housing Color</b>	Black
<b>Material of Lens</b>	Plastic
<b>Protection Class</b>	Protection class I/protective grounding
<b>Rated Input</b>	15 W
<b>Rated Input Voltage Frequency</b>	220-240 V/AC 50 / 60 Hz
<b>Power Supply Unit incl.</b>	Yes
<b>Connection Type</b>	Adapter
<b>Dimmable</b>	Yes
<b>Control technology</b>	Leading-edge dimmer, Trailing-edge dimmer
<b>Motion Detector</b>	No

<b>Working Temperature</b>	-5 to 40 °C
<b>Storage Temperature</b>	-20 to 50 °C
<b>IP Protection Class</b>	IP 20
<b>Life Time L70 / B50</b>	20000 h
<b>Switching Cycles</b>	15000
<b>Power Consumption</b>	15 kWh/1000h
<b>Energy Efficiency Class</b>	G

<b>Light Source</b>	LED, Light source not changeable
<b>Lightcolor</b>	Warm white (WW)
<b>Color Temperature</b>	3000 K
<b>Colour Consistency</b>	6 SDCM
<b>Colour Rendering Index (Ra)</b>	90
<b>Rated Luminous Flux</b>	950 lm
<b>Luminous Efficiency</b>	63.3 lm/W
<b>Rated Angle of Reflection</b>	35 Degree
<b>Light Distribution</b>	Symmetric
<b>Distribution Characteristic 120°</b>	DLS

<b>Swivel Angle</b>	180 Degree
<b>Light Exit Surfaces</b>	1
<b>Light characteristics</b>	Direct
<b>Light direction</b>	Below

<b>Length</b>	94 mm
<b>Width</b>	102 mm
<b>Height</b>	139 mm
<b>Diameter</b>	60 mm
<b>Product weight</b>	590 g

