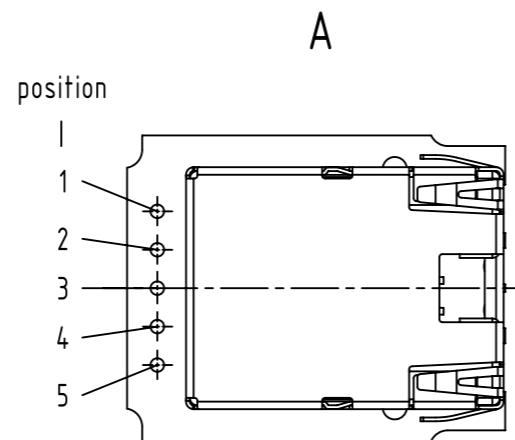


pin assignment

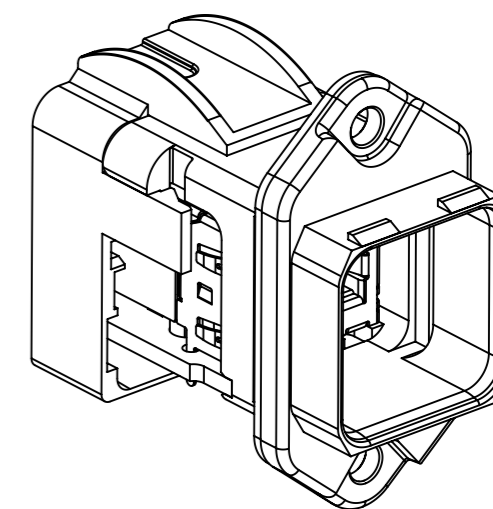
X1	X2
1	1
2	2
4	3
	4
	5
5	6
	7
	8
3	shield a
	shield b

X1 shield



1 related to RJ45 jack

2 related to PCB



	All Dimensions in mm Original Size DIN A3		Scale 2:1	Free size tol.	Ref. Sub. TB 09 35 226 0,11 / 35982 / 27.04.2010	
	All rights reserved Department EC PD - DE		Created by HAGEMEYERE	Inspected by ELLERMANN	Standardisation SCHREIER	Date 2015-10-14
HARTING Electronics GmbH D-32339 Espelkamp		Title Han PP V14 RJ45 PFT metal PCB			Doc-Key / ECM-Nr. 100182364/UGD/002/B 500000095256	
		Type TB	Number 09352260311		Rev. B	Page 1/1