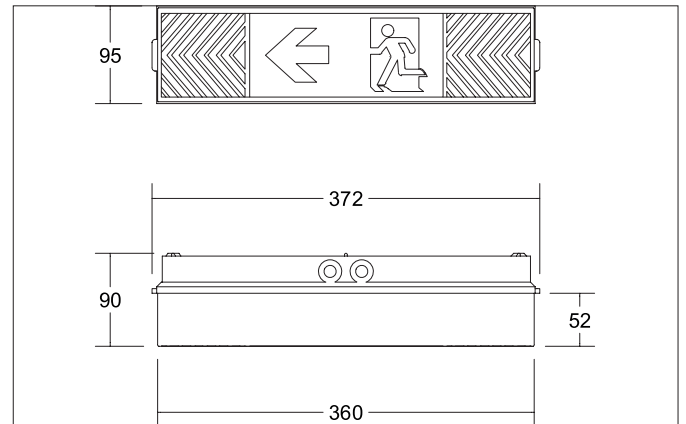


RESCUE ONE Exit sign luminaire
Article no. 79130004

Light.
For Generations.



Tender

Exit sign luminaire, white. Surface mounting, Wall-mounted Escape sign light, recognition range 18 m, nominal operating time 3 h, nominal operating time can be changed to 8 h, then the emergency lighting factor (BLF) is only 40 %, ceiling or wall mounting, incl. LiFe-PO4 single battery and pictogram set Automatic self-test due to integrated battery. Lamp holder: Without fitting, Mounting method: Surface mounting, Place of installation: Wall-mounted, Material: Polycarbonate, Degree of protection: according to DIN EN 60529 IP54, Protection class: (EN 61140) II, Voltage: 230V AC 50Hz, Power: 4.6W, Luminous flux: 120lm, Colour temperature: 4.000 K, Light colour : White, Adjustability: Not adjustable, With control gear: Yes.

Article data	
Article no.	79130004
GTIN	4251433949503
Series name	RESCUE ONE
Short description	Exit sign luminaire
Material	Polycarbonate
Colour	White
Length	372 mm
Width	95 mm
Height	90 mm
Weight	0.660 kg

Lighting technology	
Colour temperature	4000 K
Light colour	White
Luminous flux	120 lm
System efficiency	26 lm/W

RESCUE ONE Exit sign luminaire
Article no. 79130004

Light.
For Generations.

Operating technology of the luminaire	
System output	4.6 W
Voltage type	AC
AC nominal voltage max	230 V
Frequenz max.	50 Hz
Lamp	LED
Lamp holder	Without fitting
Protection class	II
Degree of protection	IP54
Ambient temperature	+5 bis +45°C
Bulb change possible	Yes

Operating technology of emergency light	
Recognition distance	25 m
Battery type	LiFePO4
Function	Escape route signage
Type of marking	One-sided
Electric feeding	Decentralised (single battery)
Nominal operating time at BLF 100 %	3 h
Nominal operating time at BLF 40 %	8 h
Rated operating time	switchable
Monitoring device	Automatic self-test

Mounting technology	
Mounting method	Surface mounting
Place of installation	Wall-mounted
Adjustability	Not adjustable
Impact resistance	IK07
Material cover	Plastic, opal
Suitable for through-wiring	Yes

Packing data	
Gross weight	0.782 kg
Length of packaging	380 mm
Packaging width	96 mm
Packaging height	96 mm
Disposal at end of life	This product must not be disposed of with household waste. You are obliged, to dispose of such electrical waste separately. By disposing of electrical waste and other old or defective electronics separately, you support recycling or other forms of re-use. In that way you help to take care and to avoid that harmful substances get into the environment.