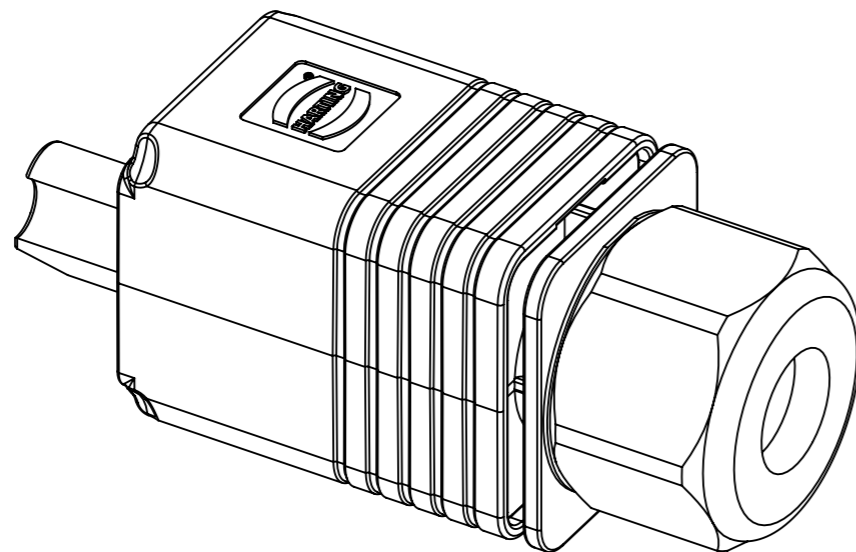
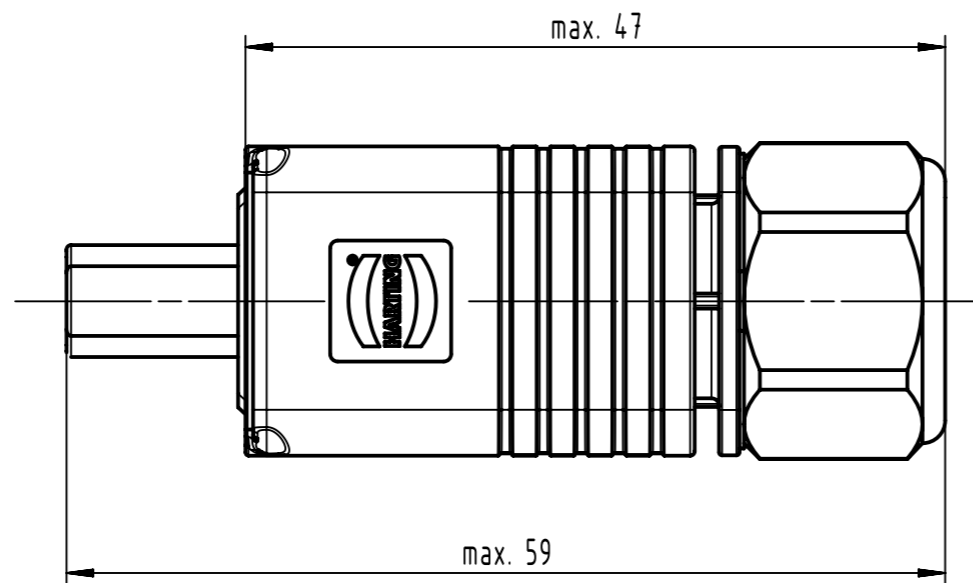
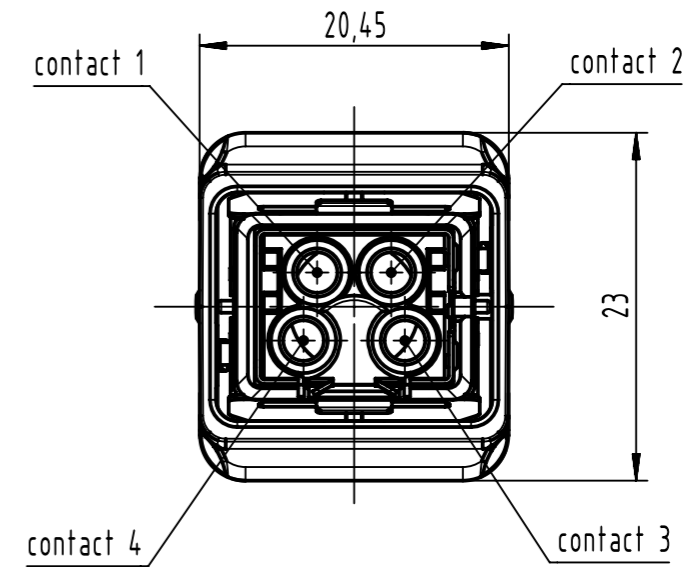
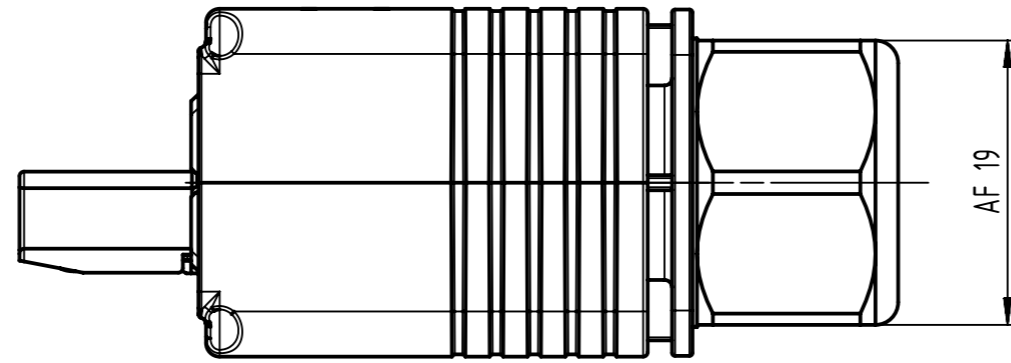
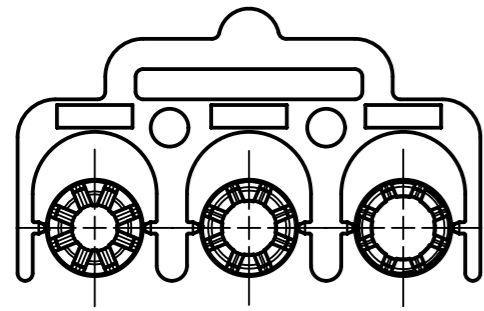



sealings (1:1)



- Usable crimp contacts (please order separatly)
- 4x male crimp contact 09 46 500 0403 0.75mm<sup>2</sup> (AWG 20-18)
  - 4x male crimp contact 09 46 500 0407 1.0mm<sup>2</sup> (AWG 18)
  - 4x male crimp contact 09 46 500 0401 1.5mm<sup>2</sup> (AWG 16-14)
  - 4x male crimp contact 09 46 500 0405 2.5mm<sup>2</sup> (AWG 12)

further information see product data sheet

	All rights reserved Department EL PD	Created by ELLERMANN	Inspected by ZWAHR	Standardisation SAP_WFRT	Date 2022-01-27	State Final Release	Ref. Sub.
	HARTING D-32339 Espelkamp	Title HPP V4 Power plug 4 pole crimp metal				Doc-Key / ECM-Nr. 100227217/UGD/001/B 500000210301	
		Type TB	Number 09461954400		Rev. B	Page 1/1	