

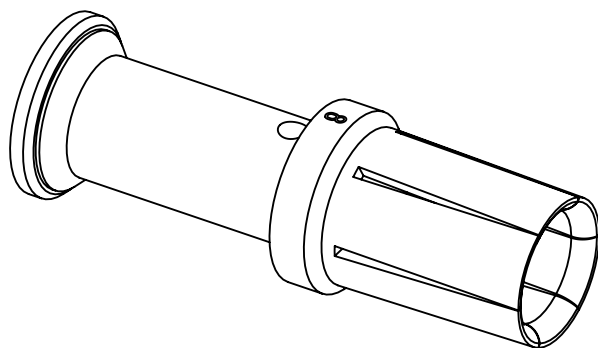
assembly notes see catalog

crimp zone acc. to DIN EN 46235; indicator 8

for cable: Raychem TR16-16,0-0 (class 6 cable acc. to DIN EN 60228)

wire gauge: 16mm<sup>2</sup>

stripping length: 19mm



	All Dimensions in mm Original Size DIN A4		Scale 2:1	Free size tol.		Ref.		
						Sub.		
	All rights reserved		Created by HELLMANN	Inspected by NICHTERLEIN	Standardisation SAP_WFRT	Date 2022-10-11	State Final Release	
	Department EL PD		Title Han TC100 female contact 16mm <sup>2</sup> (d=5,8mm)				Doc-Key / ECM-Nr. 100525693/UGD/003/E 500000223389	
HARTING D-32339 Espelkamp			Type TB	Number 09 11 000 6236			Rev. E	Page 1/1