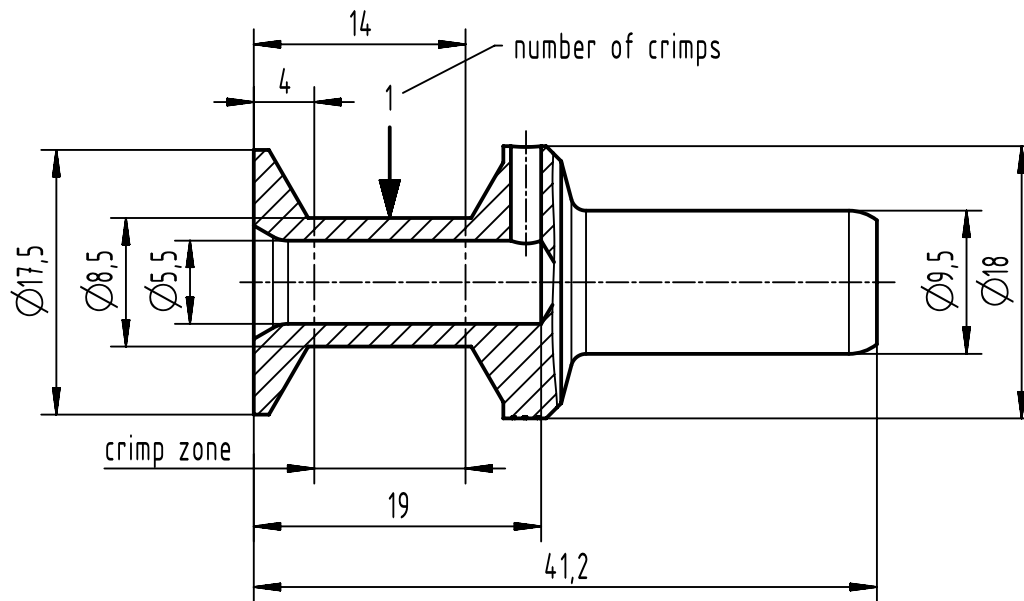


A

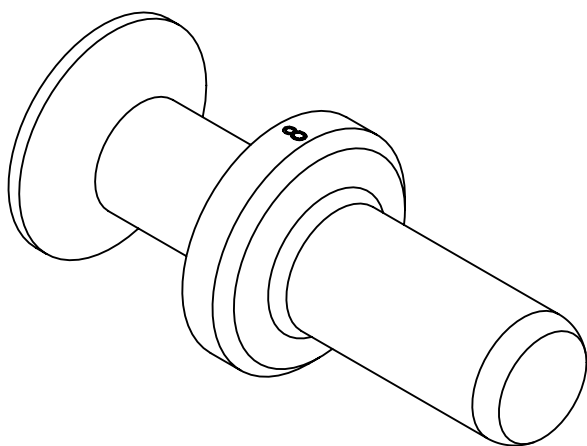
B


C

D



assembly notes see catalogue
 crimp zone acc. to DIN EN 46235, indicator 8
 for stranded fine wire acc. to VDE 0295 class 5 / IEC 60228 class 5
 wire gauge: 16mm²
 stripping length: 18,5mm



	All rights reserved Department EL PD	All Dimensions in mm Original Size DIN A4		Scale 2:1	Free size tol.		Ref.	
		HARTING D-32339 Espelkamp	Created by HELLMANN	Inspected by NICHTERLEIN	Standardisation SAP_WFRT	Date 2022-10-12	State Final Release	Sub.
Title Han TC200 male contact 16mm ²							Doc-Key / ECM-Nr. 100606373/UGD/001/B 500000224980	
				Type TB	Number 09 11 000 6150		Rev. B	Page 1/1