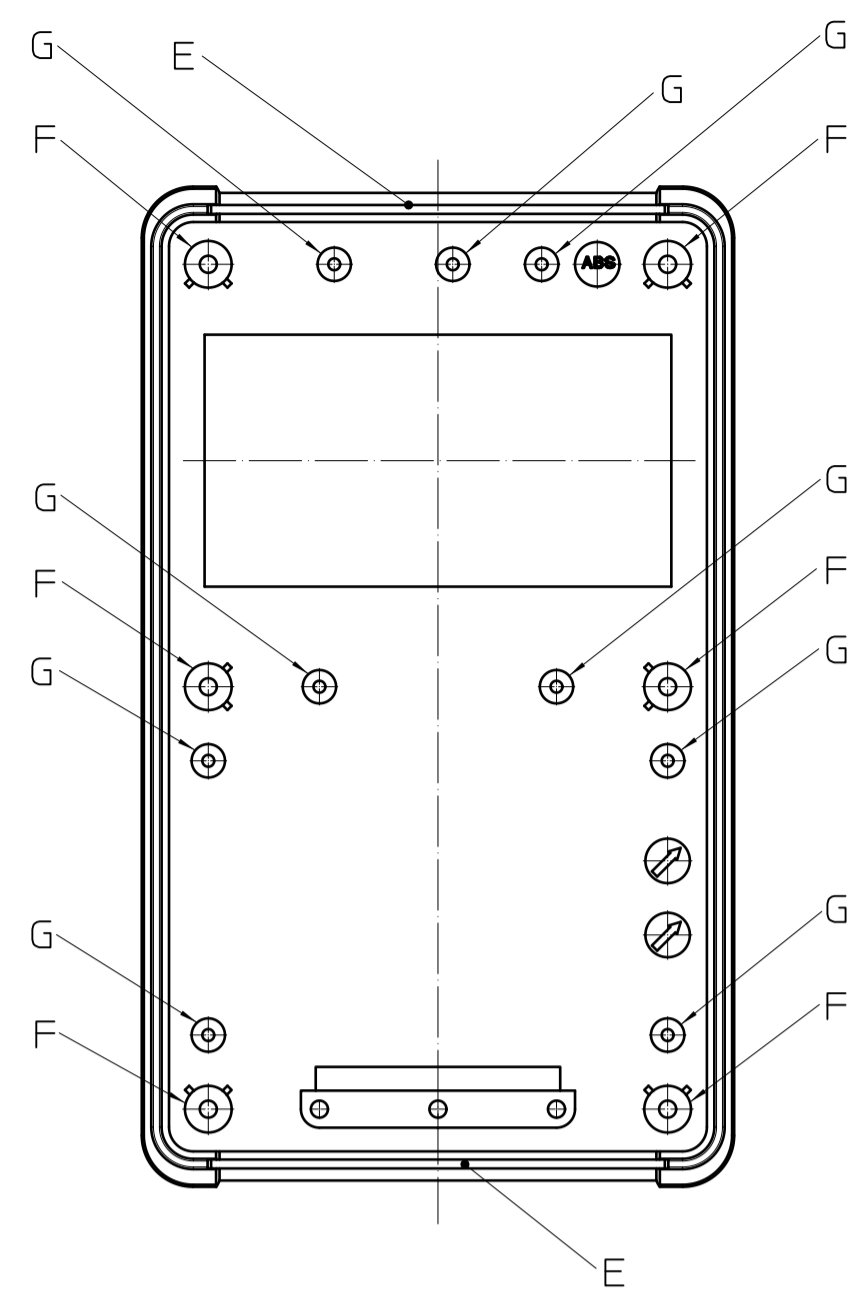
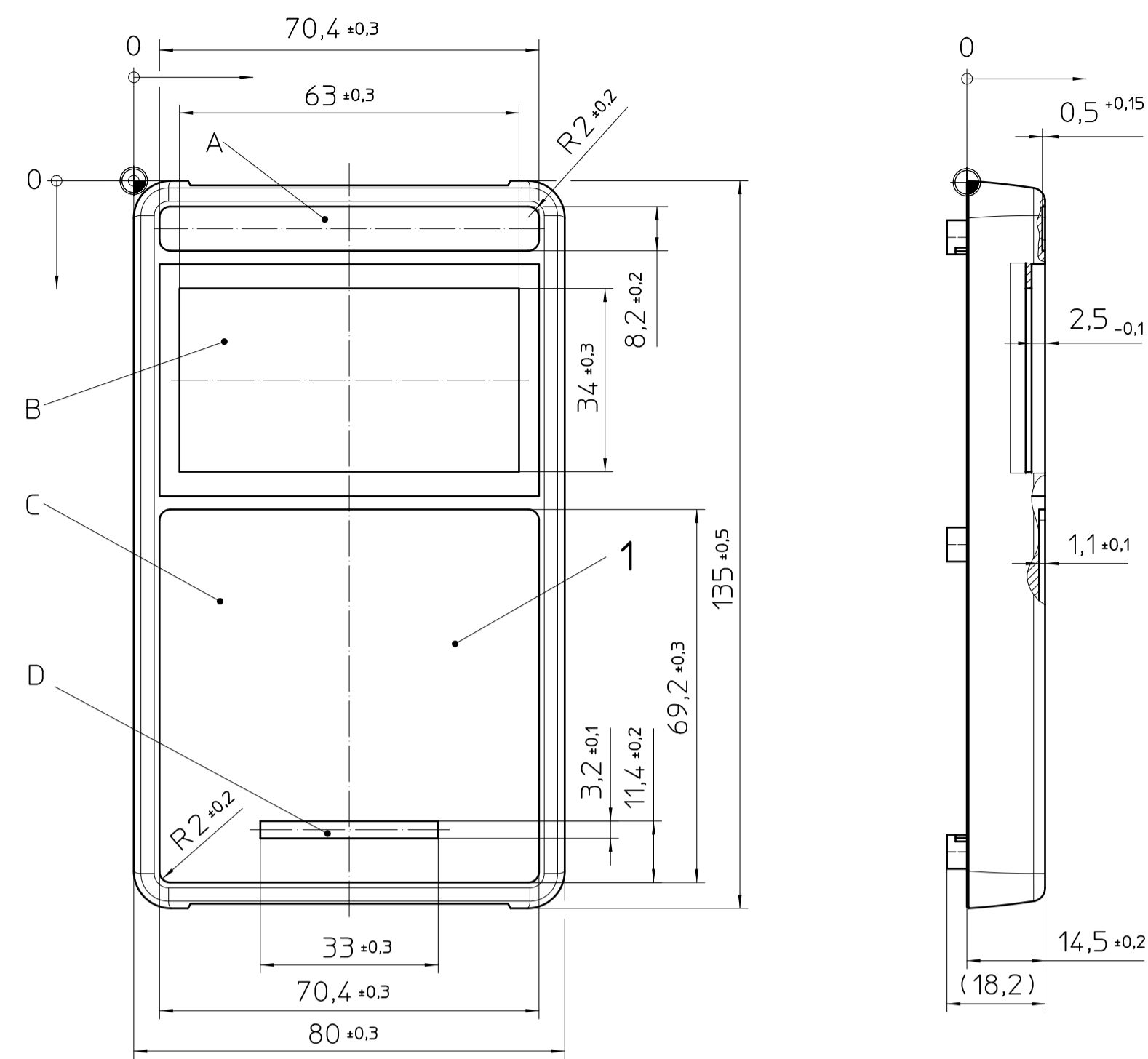
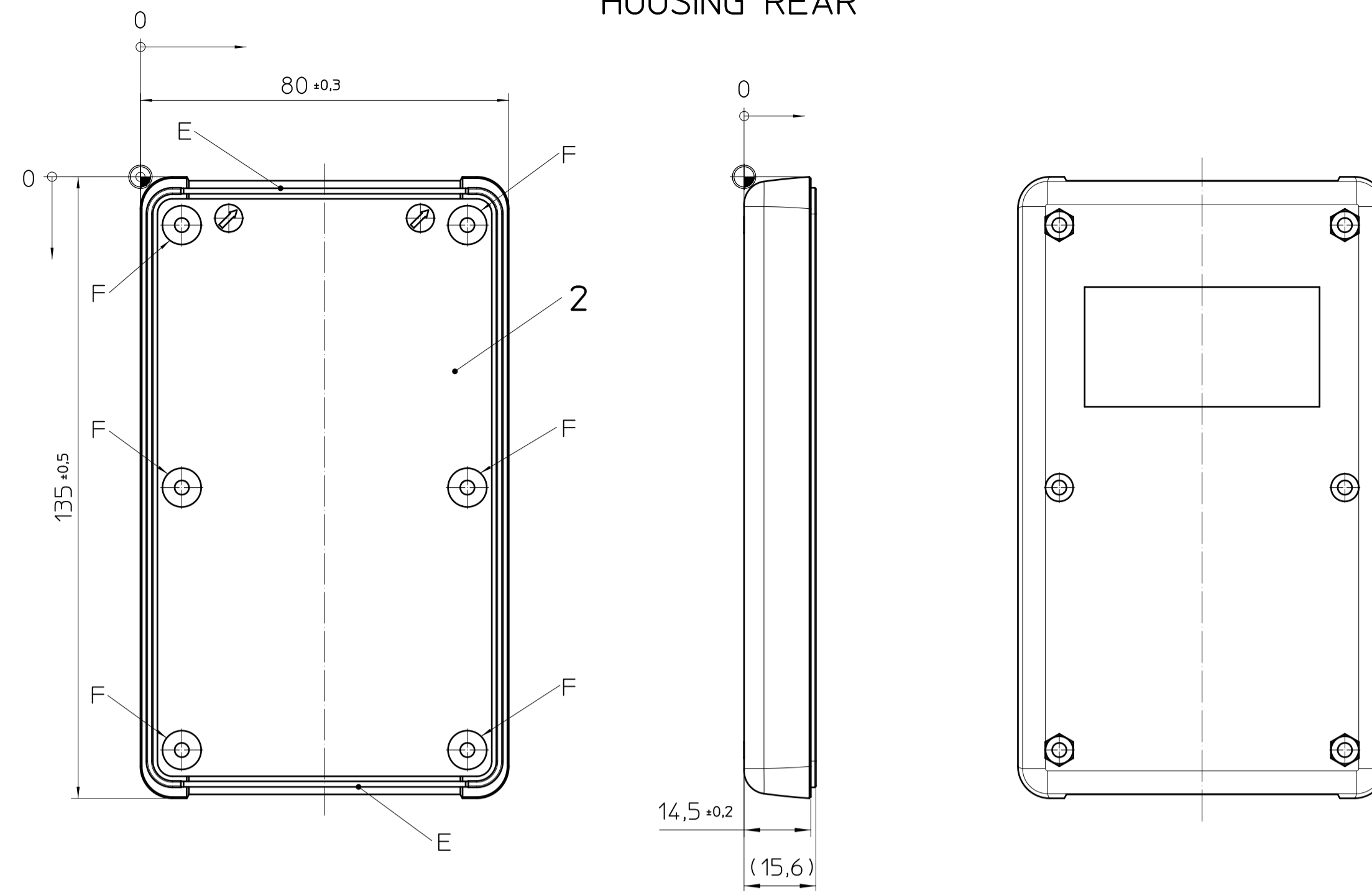


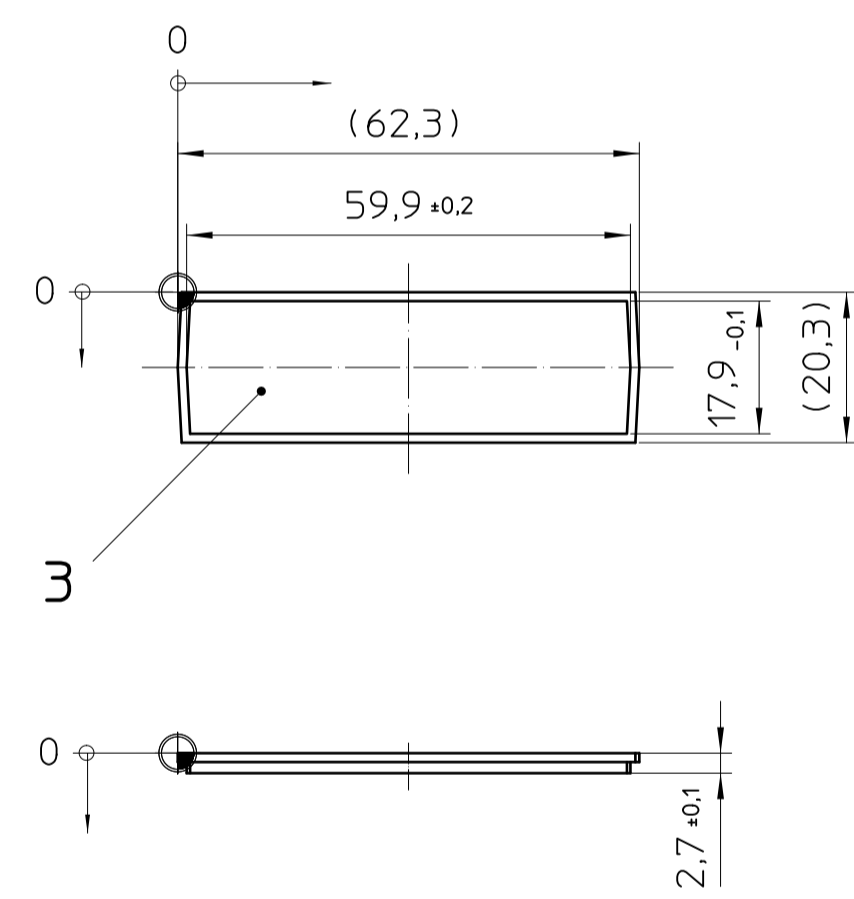
HOUSING FRONT



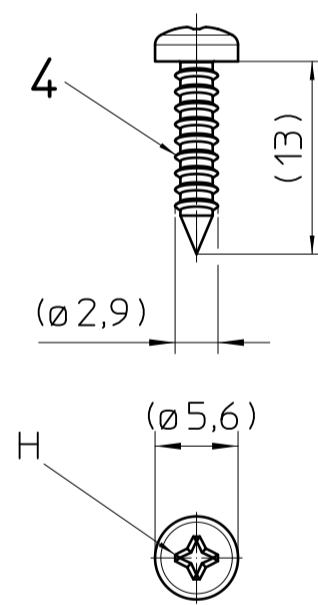
HOUSING REAR



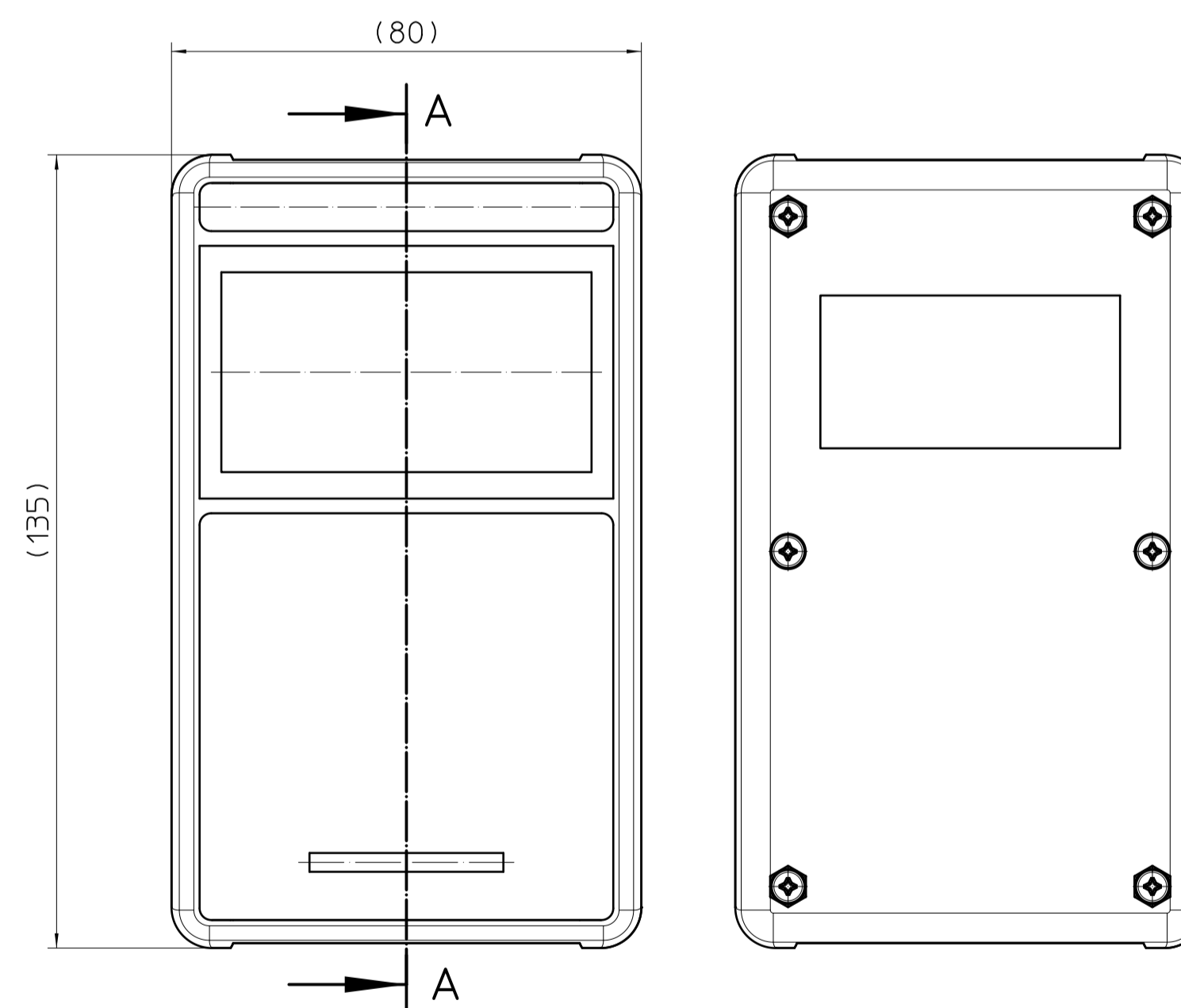
Plate



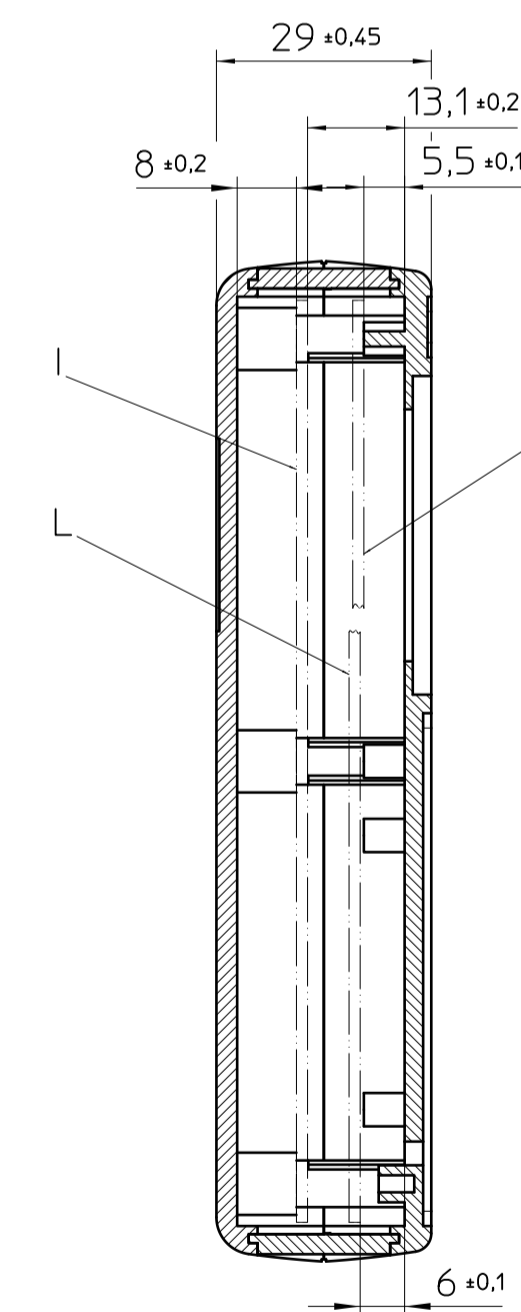
HOUSING SCREW 2:1



Assembly example HCS-C MINI-P 1W12 C 1 1



A-A



General Information:

- Simplified representation
- Document excluded from change process
- Linear dimensions [mm]
- Tolerances apply in a normal climate according to DIN EN ISO 291-23/50-2
- Further information: www.phoenixcontact.com
webcode: #0855

Additional Information:

- Minimum radii for mechanical processing R=1,2

⊕ = workpiece zero point for mechanical processing

- A. Labeling area
- B. Cut-out for display
- C. Area for keypad
- D. Cut-out for keypad
- E. Cut-out for Plate
- F. Screw domes for housing screws
- G. Attachment point for second PCB with self tapping screws $\varnothing 2 \times 6,5$ (screws not included)
- H. Phillips recessed head PH 1
- I. PCB main position (t=1,5)
- K. PCB second position (t=1,5)
- L. PCB second D position, if a display and fastening equipment from Phoenix Contact is used (t=1,5)

KIT

HCS-C MINI-P 1W12 C 1 1		
Pos.	QTY	Description
1	1	HOUSING FRONT (ABS)
2	1	HOUSING REAR (ABS)
3	2	Plate (ABS)
4	6	SCREW ISO 7049-ST2,9X13-C-H

DIN A1	document-No. / RI 00966635 / 03	date 17.10.2017	scale 1:1
PHOENIX CONTACT	ident.-No. 2203155	document-type TECDOC 2D_Productdrawing	
page 1 of 4	description HCS-C MINI-P 1W C 1 1 7035		

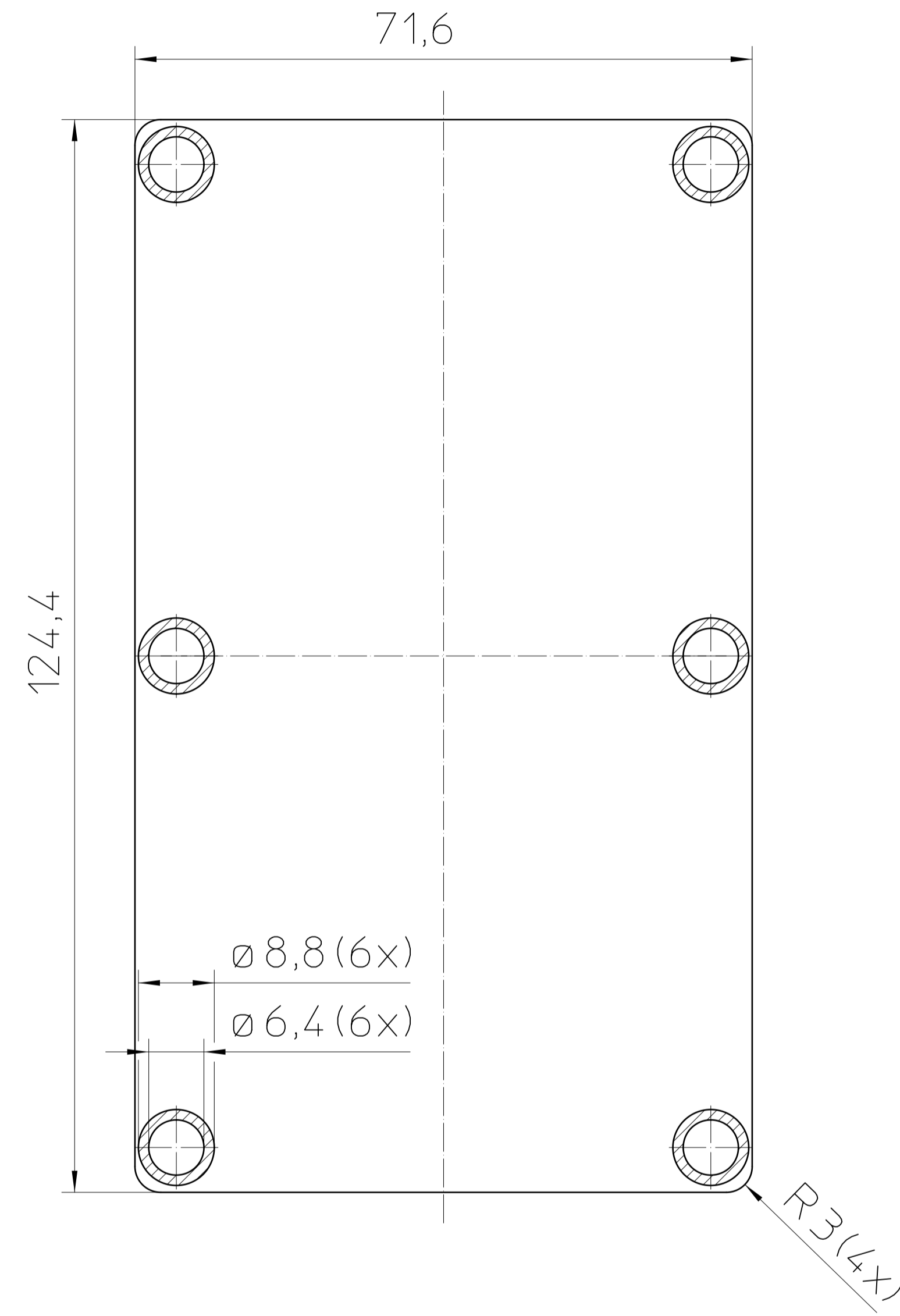
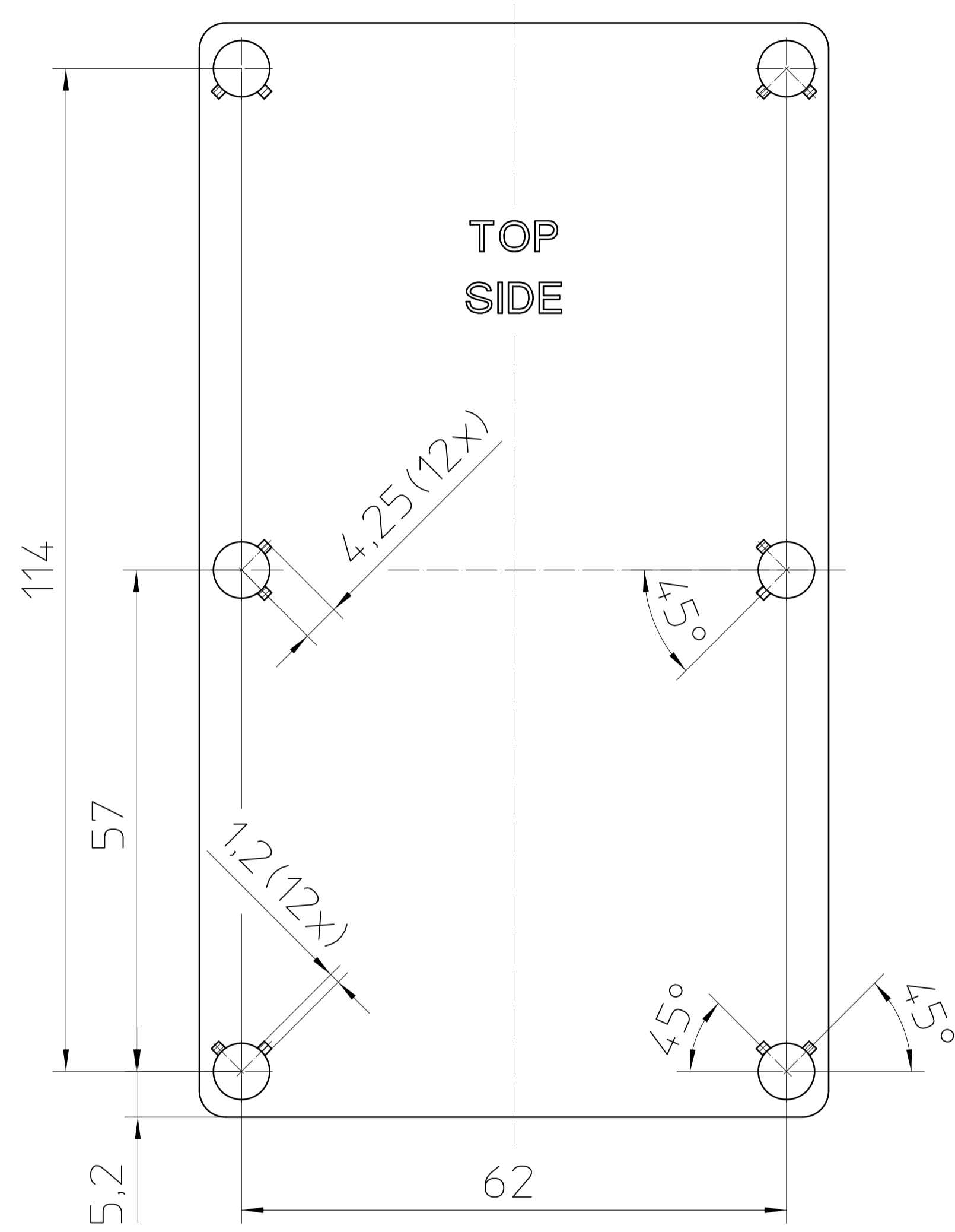
Transfer or duplication of this document as well as the utilisation or communication of its content are not permitted unless express consent in writing is obtained from Phoenix Contact AG. All rights reserved in case of patent, utility model or design patent registrations.

Weitergabe sowie Vervielfältigung dieses Dokuments, Verwertung und Mitteilung seines Inhalts sind verboten, soweit nicht ausdrücklich gestattet. Alle Rechte vorbehalten, in Bezug auf Patente, Gebrauchsmuster oder Designanmeldungen.

Transfer or duplication of this document as well as the utilisation or communication of its content are not permitted unless express consent is granted. Violations give rise to claims for damages. All rights reserved in case of patent, utility model or design patent registrations.

Weitergabe sowie Vervielfältigung dieses Dokuments, Verwertung und Mitteilung seines Inhalts sind verboten, soweit nicht ausdrücklich gestattet. Zuwiderhandlungen verpflichten zu Schadensersatz. Alle Rechte für den Fall der Patent-, Gebrauchsmuster- oder Designeintragung vorbehalten.

HCS-C MINI-P PCB MAIN



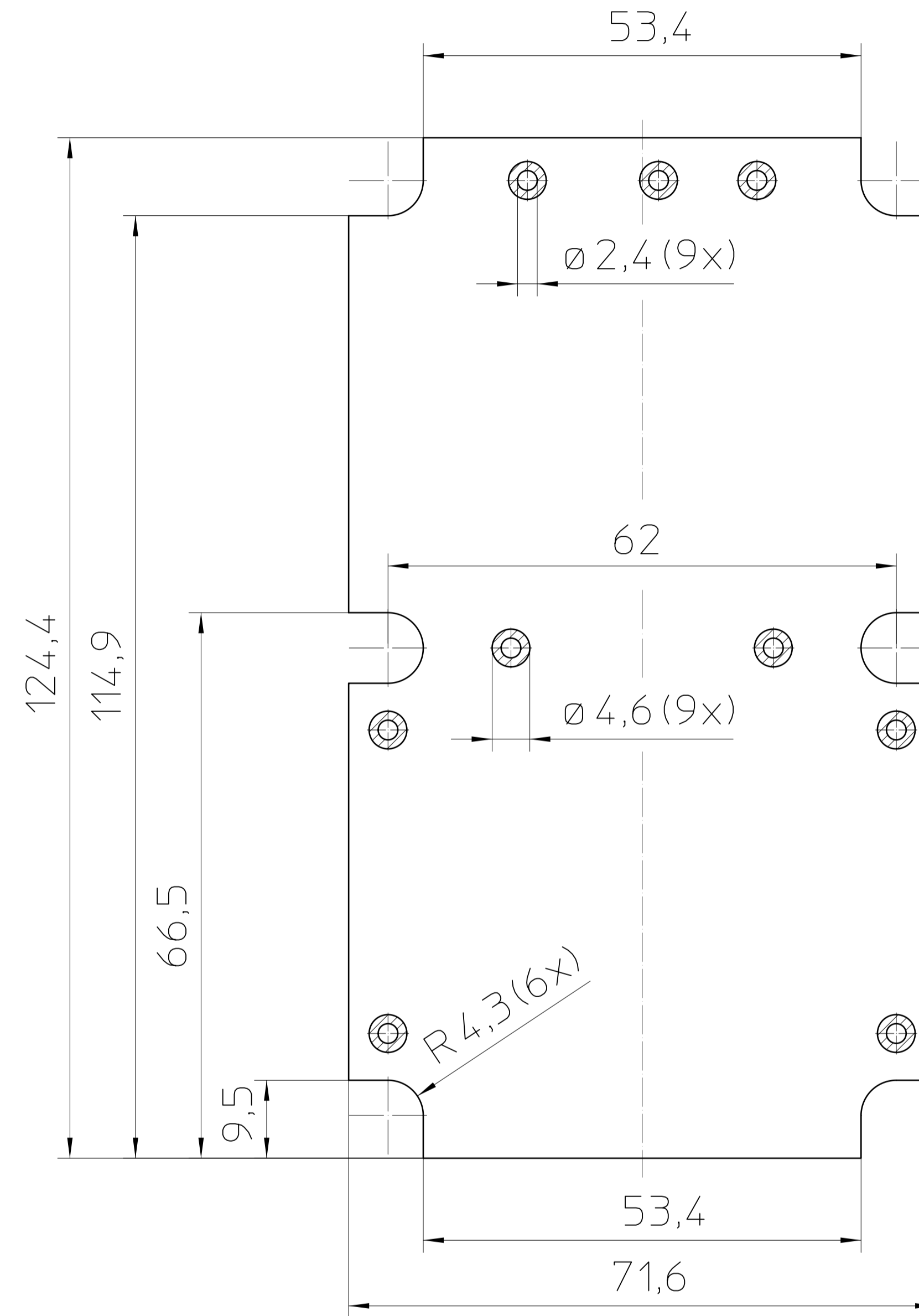
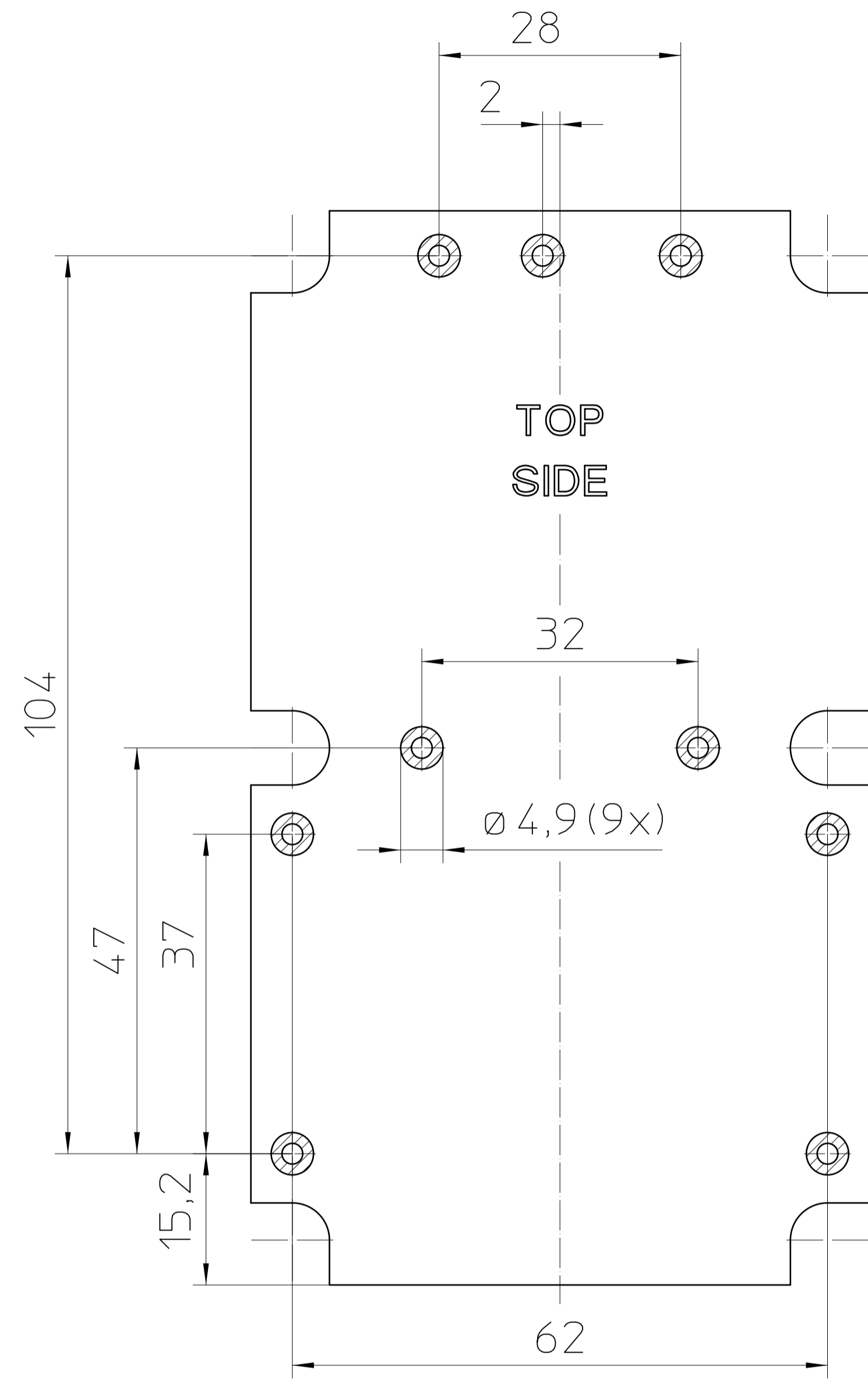
General Information

- Document excluded from change process
- CAD Data see Download-Center on www.phoenixcontact.com
- Linear dimensions [mm]
- General tolerances PCB: dimensions ≤ 30 : $\pm 0,1/R \pm 0,2/\pm 1^\circ$
dimensions > 30 : $\pm 0,15/R \pm 0,2/\pm 1^\circ$
symmetry: 0,2

- Restricted area
- Thickness= 1,4-1,8
- Component mounting area on top side: 8690mm²
- Component mounting area on bottom side: 8530mm²

DIN A3 	document-No. / RI	date	scale
	00966635 / 03	17.10.2017	1:1
	ident.-No.	document-type	
	2203155	TECDOC 2D_Productdrawing	
	description		
	HCS-C MINI-P 1W C 1 1 7035		
page 2	of 4		

HCS-C MINI-P PCB SECOND



General Information

- Document excluded from change process
- CAD Data see Download-Center on www.phoenixcontact.com
- Linear dimensions [mm]
- General tolerances PCB: dimensions ≤ 30 : $\pm 0,1/R \pm 0,2/\pm 1^\circ$
dimensions > 30 : $\pm 0,15/R \pm 0,2/\pm 1^\circ$
symmetry: 0,2
- Restricted area
- Thickness= 1,4-1,8
- Component mounting area on top side: 8230mm²
- Component mounting area on bottom side: 8280mm²

DIN A3 	document-No. / RI	date	scale
	00966635 / 03	17.10.2017	1:1
ident.-No.		document-type	
2203155		TECDOC 2D_Productdrawing	
description		HCS-C MINI-P 1W C 1 1 7035	
page 3	of 4		

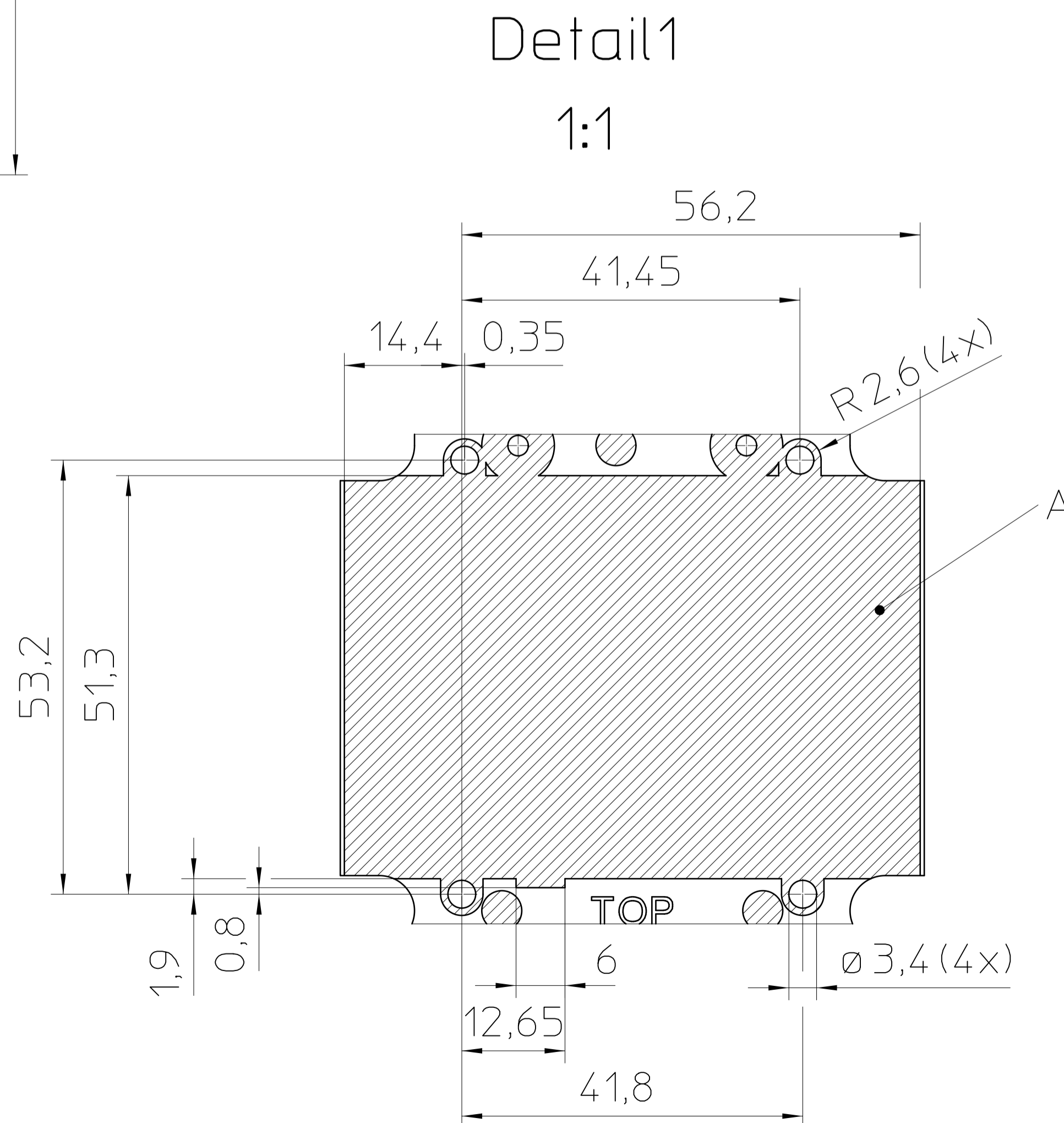
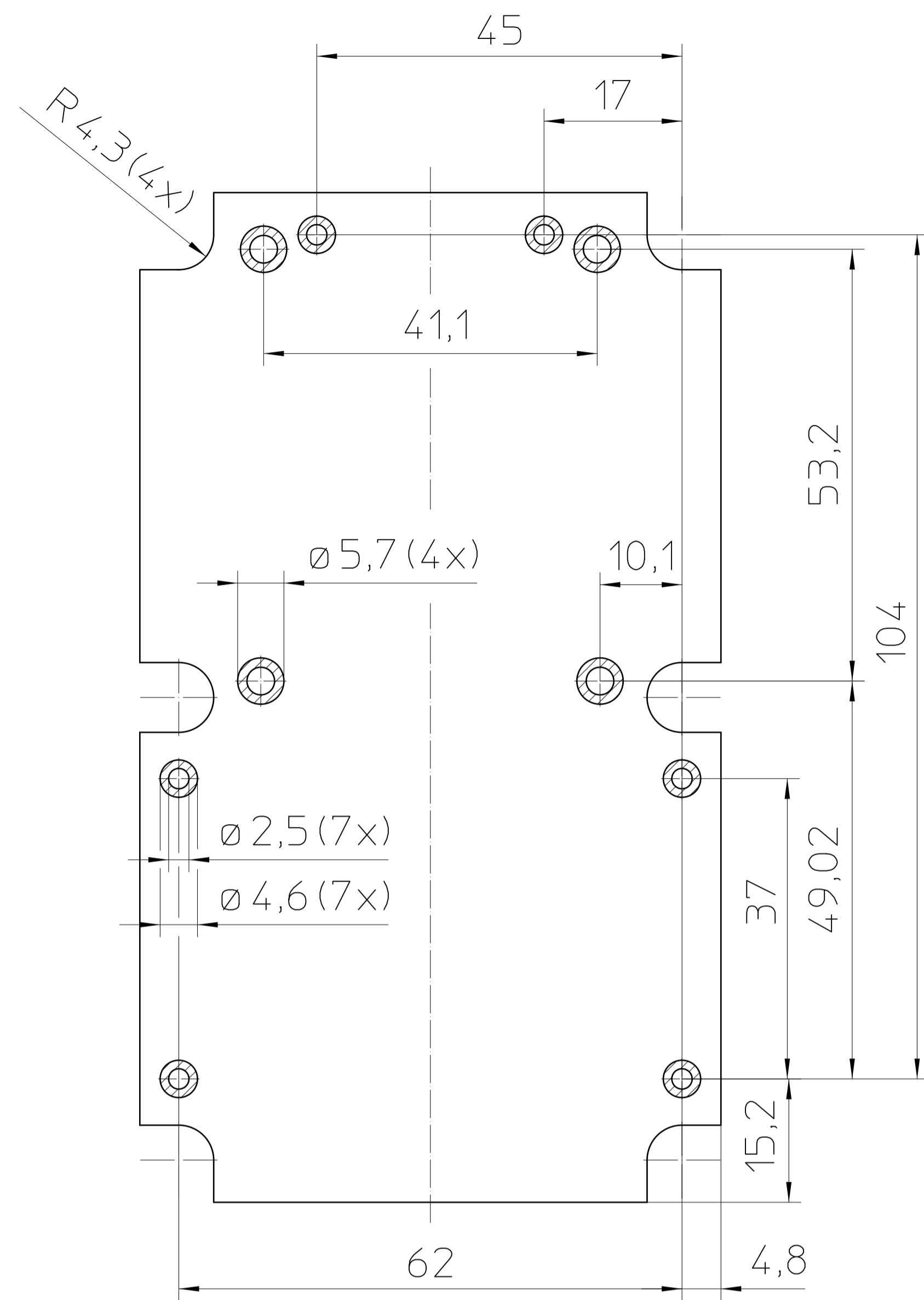
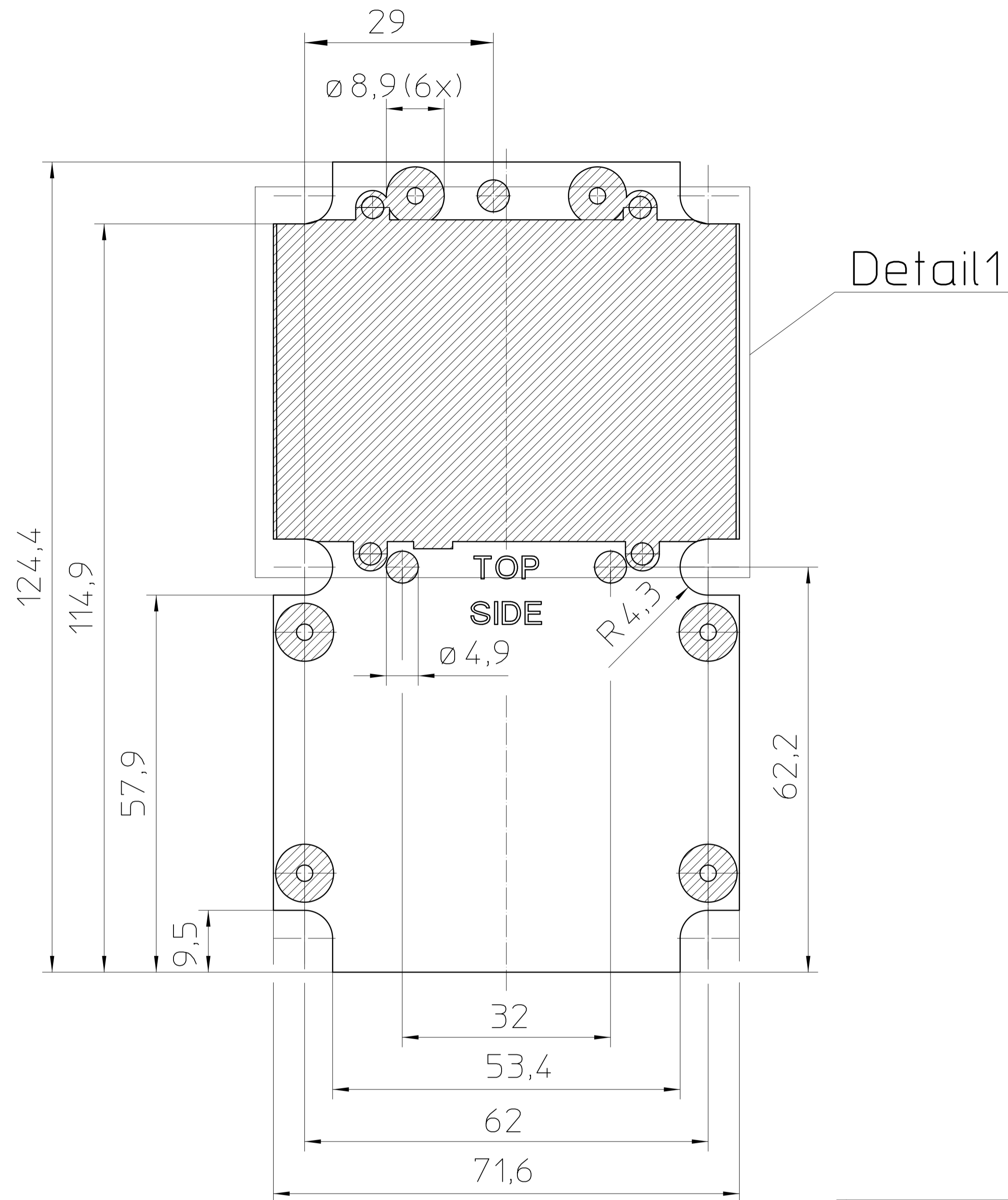
Transfer or duplication of this document as well as the utilisation or communication of its content are not permitted unless express consent is granted. Violations give rise to claims for damages. All rights reserved in case of patent, utility model or design patent registrations.

Weitergabe sowie Vervielfältigung dieses Dokuments, Verwertung und Mitteilung seines Inhalts sind verboten, soweit nicht ausdrücklich gestattet. Zuwiderhandlungen verpflichten zu Schadenersatz. Alle Rechte für den Fall der Patent-, Gebrauchsmuster- oder Designeintragung vorbehalten.

HCS-C MINI-P PCB SECOND D

Transfer or duplication of this document as well as the utilisation or communication of its content are not permitted unless express consent is granted. Violations give rise to claims for damages. All rights reserved in case of patent, utility model or design patent registrations.

Weitergabe sowie Vervielfältigung dieses Dokuments, Verwertung und Mitteilung seines Inhalts sind verboten, soweit nicht ausdrücklich gestattet. Zuwiderhandlungen verpflichten zu Schadensersatz. Alle Rechte für den Fall der Patent-, Gebrauchsmuster- oder Designeintragung vorbehalten.



- General Information
- Document excluded from change process
 - CAD Data see Download-Center on www.phoenixcontact.com
 - Linear dimensions [mm]
 - Top SIDE: Mounting side for Display
 - General Tolerances PCB: dimensions ≤ 30 : $\pm 0,1/R \pm 0,2/\pm 1^\circ$
dimensions > 30 : $\pm 0,15/R \pm 0,2/\pm 1^\circ$
symmetry: 0,2
 - Restricted area
 - Thickness= 1,4-1,8
 - Component mounting area on top side: 4360mm²
 - Component mounting area on bottom side: 8230mm²
 - A. Restricted area for Display: D L 2,8 64X 8

DIN A3 	document-No. / RI	date	scale
	00966635 / 03	17.10.2017	1:1
	ident.-No.	document-type	
	2203155	TECDOC 2D_Productdrawing	
	description		
	HCS-C MINI-P 1W C 1 1 7035		
page 4	of 4		