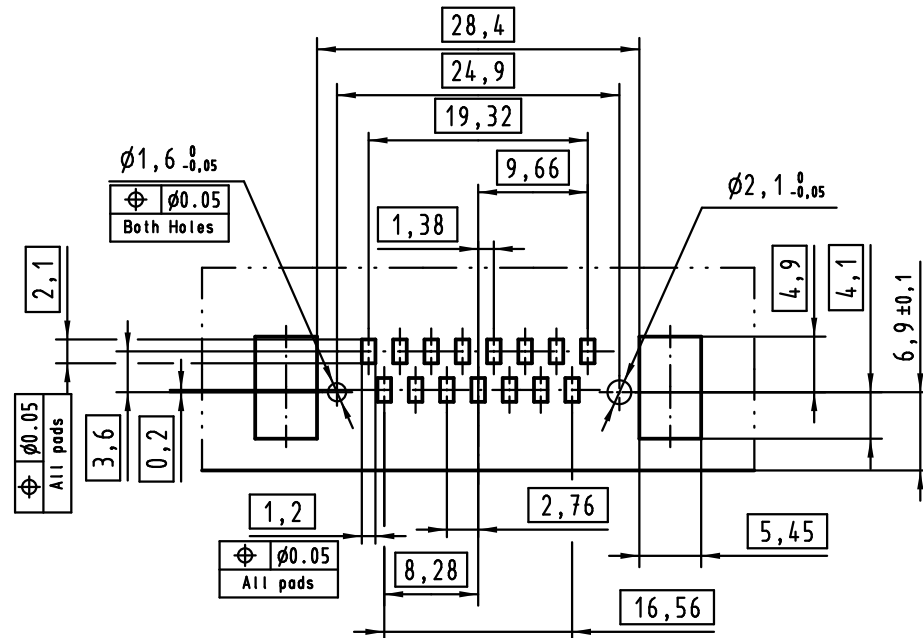
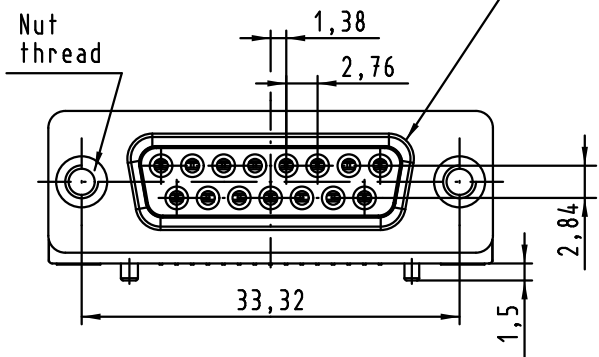
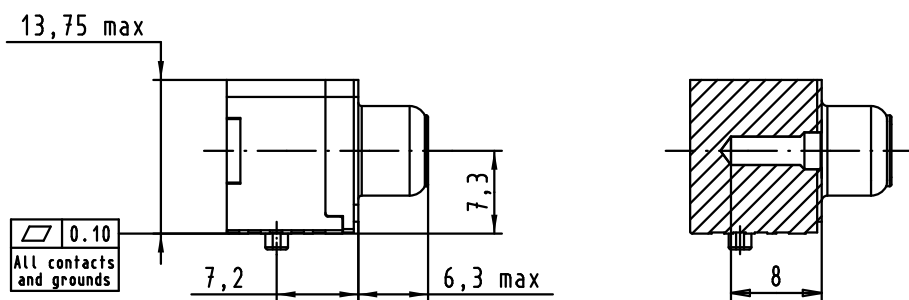


Mating face according to CECC 75301-802



PCB Layout, component side (thickness 1,6mm min.)



Max. Temperature: 260°C during 10 seconds

Part number	PL	Thread	Index designation	Mod.	Dot.	Name	Dot.	Name	D-SUB SMT Standard Female 15p with die casted grounds and nuts		Maßstab/ Scale	
09552563612.741	1	4-40 UNC	Black Insulator	Reel Packaging (140 connectors) see page 2/2			Detail.	29Sep2009	LP	All Dim. in mm Orig. Size DIN A 4	1,5:1	
09552566612.741	2				EC02316	30Aug2010	ED	Insp.				
09552567612.741	3				EC01754	30Apr2010	ED	Stand.				
09552563611.741	1	M3	Black Insulator	Reel Packaging (140 connectors) see page 2/2						HARTING TB 09 55 256 x61x	Blatt/ Page 1 / 2	
09552566611.741	2				EC01257	25Jan2010	ED					
09552567611.741	3				EC00385	29/09/2009	LP					
HARTING EURL F-95972 Paris									Sub.			