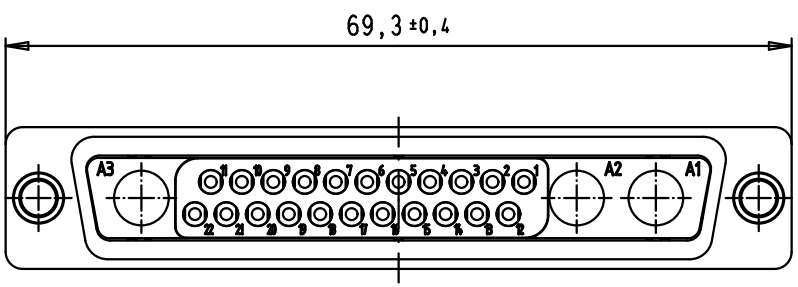
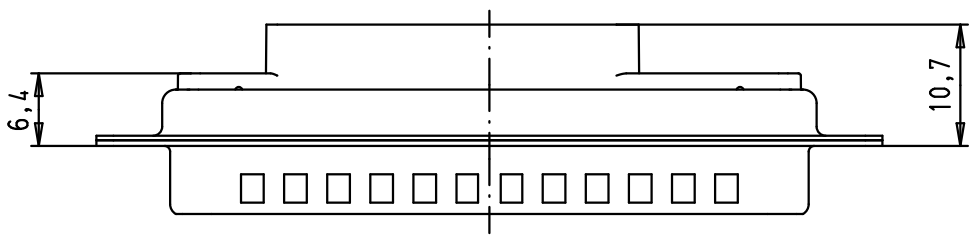
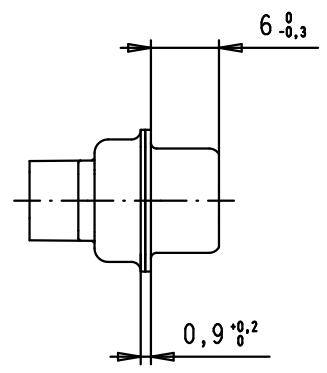
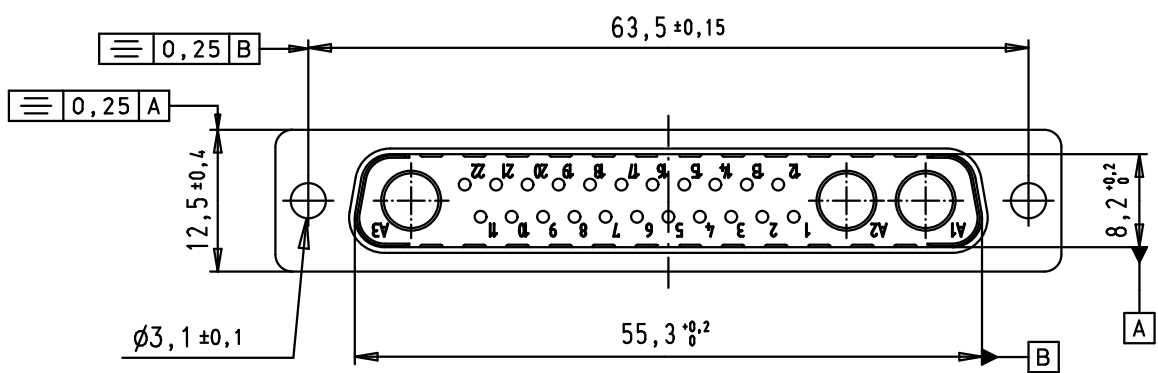
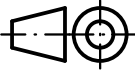



5 4 3 2 1



				Dot.	Name	 <p>All Dim. in mm Orig. Size DIN A 4</p>	D-Sub, 25W3, male, straight, crimp, tin plated shell without contacts, through holes	Maßstab/ Scale 1,5:1
			Detail.	13/07/10	SC			
			Insp.					
			Stand.					
EC02052	13/07/10	SC	HARTING EURL F-95972 Paris				TB 09 69 412 0253	Blatt/ Page 1 / 1
Mod.	Dot.	Name						