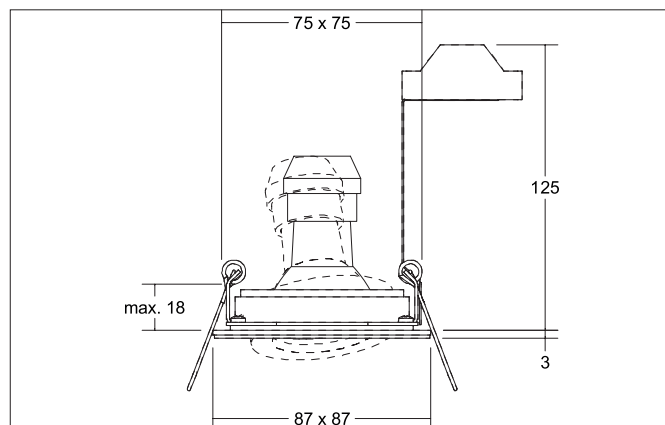


BELLINA Recessed spot, GU10

Article no. 36357070

Light.
For Generations.**Tender**

Recessed spot, GU10, Square. Toolless ceiling installation by installation springs. Ceiling cut-out L x W 75 x 75 mm, Installation depth 125 mm, Length 87 mm, Width 87 mm, Weight 0,200 kg, with rotationssymmetrical, deep, wide distributed light intensity. optimal light distribution due to a Without cover cover. with Lamp holder GU10 max: 50 W, Delivery without bulb. Housing material: Aluminium, Colour: White structure, Permissible ambient temperature (ta): -20 °C - +25 °C, Protection class (EN 61140): II, Degree of protection (DIN EN 60529): IP20. For direct connection to mains voltage, Other dimmable.

Article data	
Article no.	36357070
GTIN	4251433949817
Series name	BELLINA
Short description	Recessed spot, GU10
Material	Aluminium
Colour	White
Type of surface	Structure
Shape	Square
Built-in width	75 mm
Built-in length	75 mm
Installation depth	125 mm
Length	87 mm
Width	87 mm
Hight	3 mm
Weight	0.200 kg

BELLINA Recessed spot, GU10

Article no. 36357070

Light.
For Generations.

Operating technology of the luminaire	
System output	50 W
Voltage type	AC
AC nominal voltage max	230 V
Frequenz max.	50 Hz
Lamp	for LED-retrofill lamp
Lamp holder	GU10
Protection class	II
Degree of protection	IP20
Control	Other
Bulb change possible	Yes

Mounting technology	
Mounting method	Recessed mounting
Place of installation	Ceiling-mounted
Adjustability	Rotable and pivoted
Swivel angle	30°
Rotation angle	355°
Max. ceiling thickness	18 mm
Further references	No cover with thermal insulation material
Material cover	Without cover
Circlip	Without circlip

Packing data	
Gross weight	0.265 kg
Length of packaging	140 mm
Packaging width	110 mm
Packaging height	120 mm
Disposal at end of life	This product must not be disposed of with household waste. You are obliged, to dispose of such electrical waste separately. By disposing of electrical waste and other old or defective electronics separately, you support recycling or other forms of re-use. In that way you help to take care and to avoid that harmful substances get into the environment.