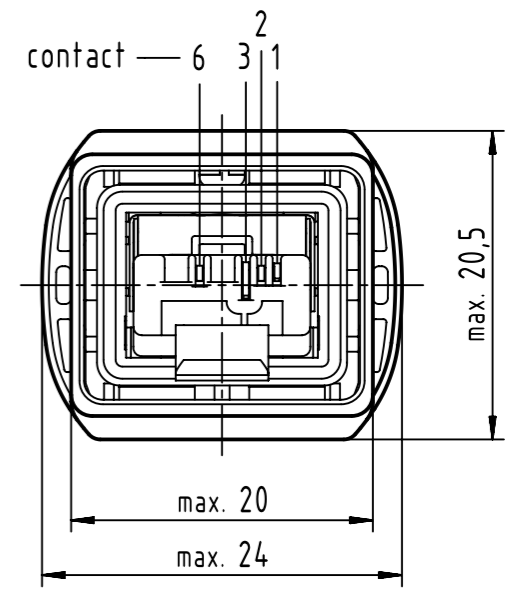
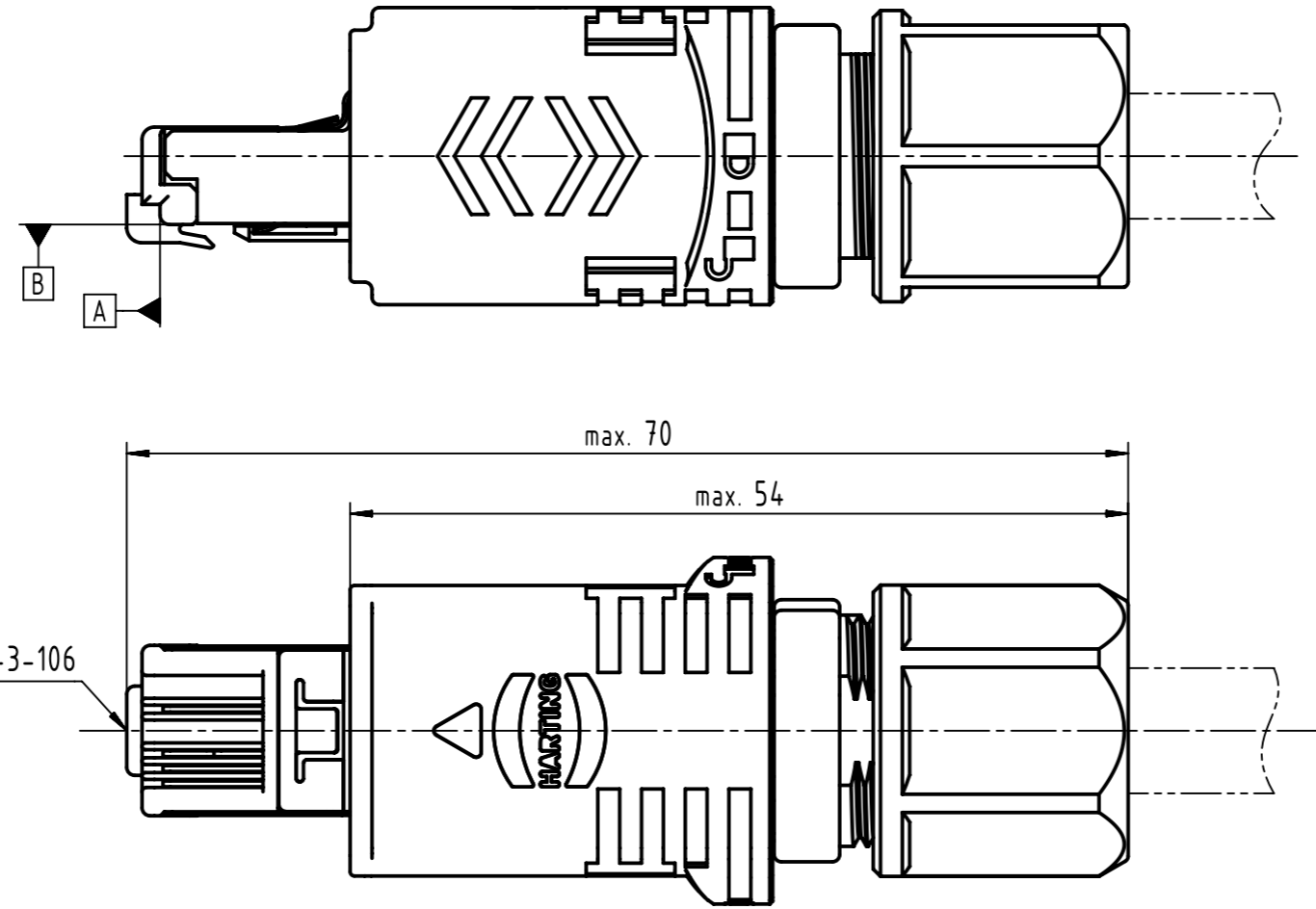
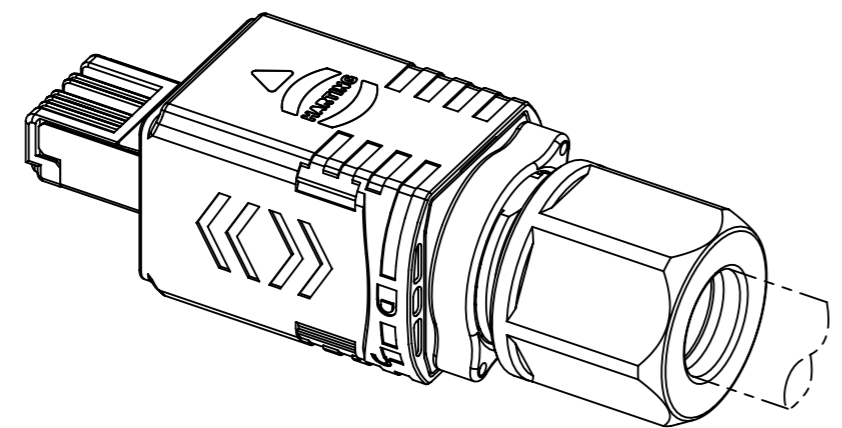
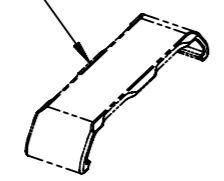


# HARTING PushPull V4 Plug and RJ45, not assembled



coding clip for plug  
see TB 0945840000X,  
please order separately



further information see product data sheet

|                              |  |  |                       |                        |                 |  |                        |
|------------------------------|--|--|-----------------------|------------------------|-----------------|--|------------------------|
|                              | All Dimensions in mm<br>Original Size DIN A3 |  | Scale<br>2:1          | Free size tol.         |                 | Ref.   |                        |
|                              | All rights reserved<br>Department EL PD      |  | Created by<br>ZWAHR   | Inspected by<br>STORCK | Standardisation | Date<br>2023-09-20                                       | State<br>Final Release |
| HARTING<br>D-32339 Espelkamp |  | Title<br>HARTING PushPull V4 Plug, RJ45, Cat.5, IDC,4-pole |                       |                        |                 | Doc-Key / ECM-Nr.<br>100657688/UGD/000/H<br>500000251439 |                        |
|                              |  | Type<br>TB   | Number<br>09451451106 |                        | Rev.<br>H       | Page<br>1/1  |                        |