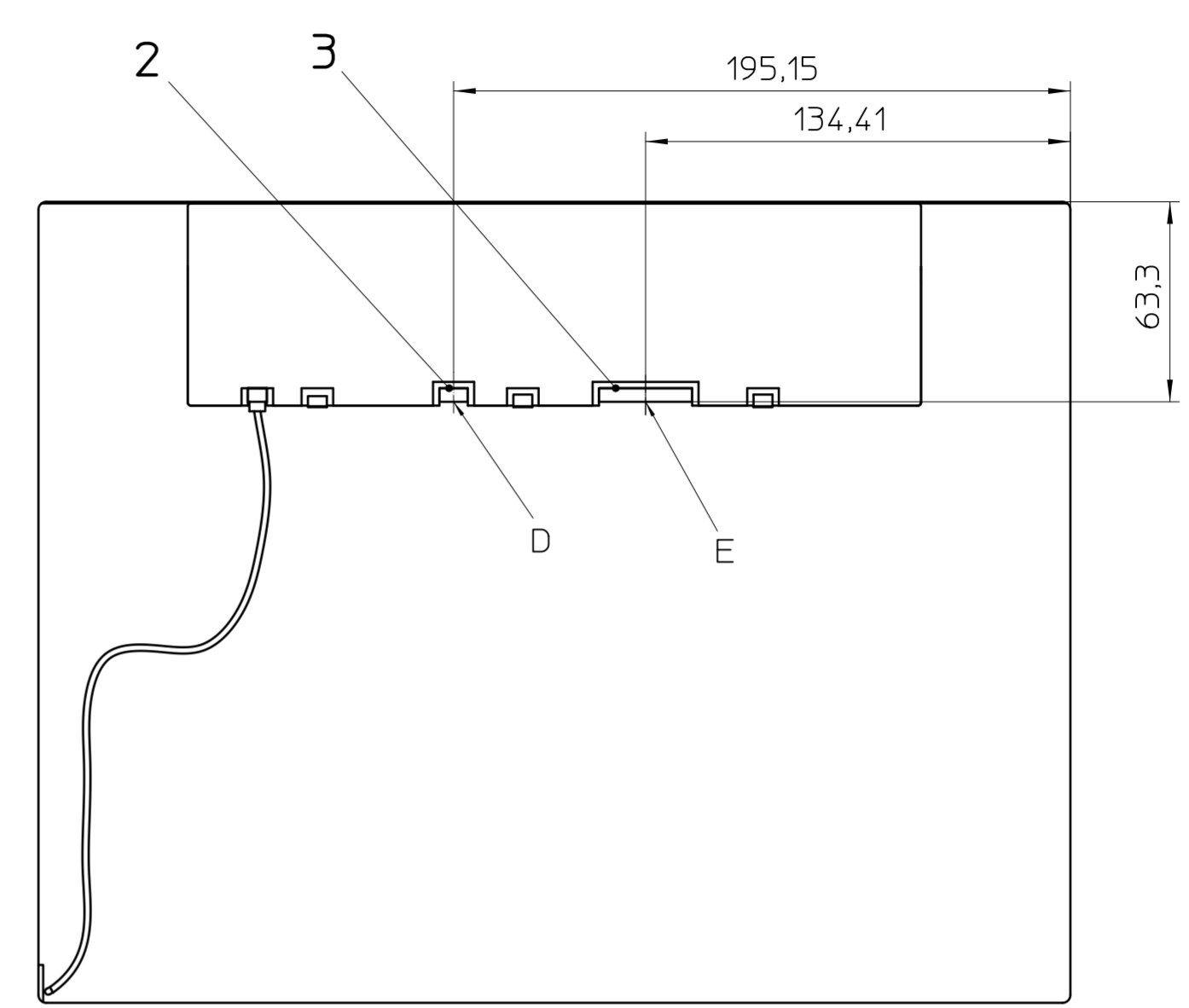
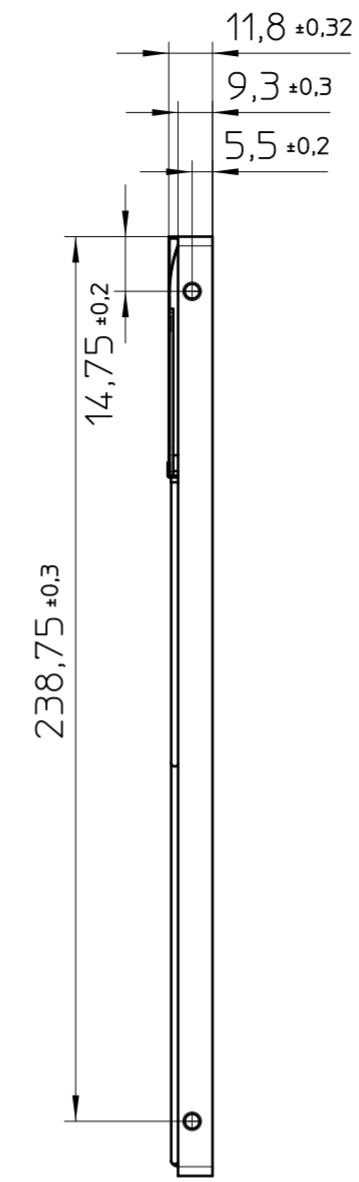
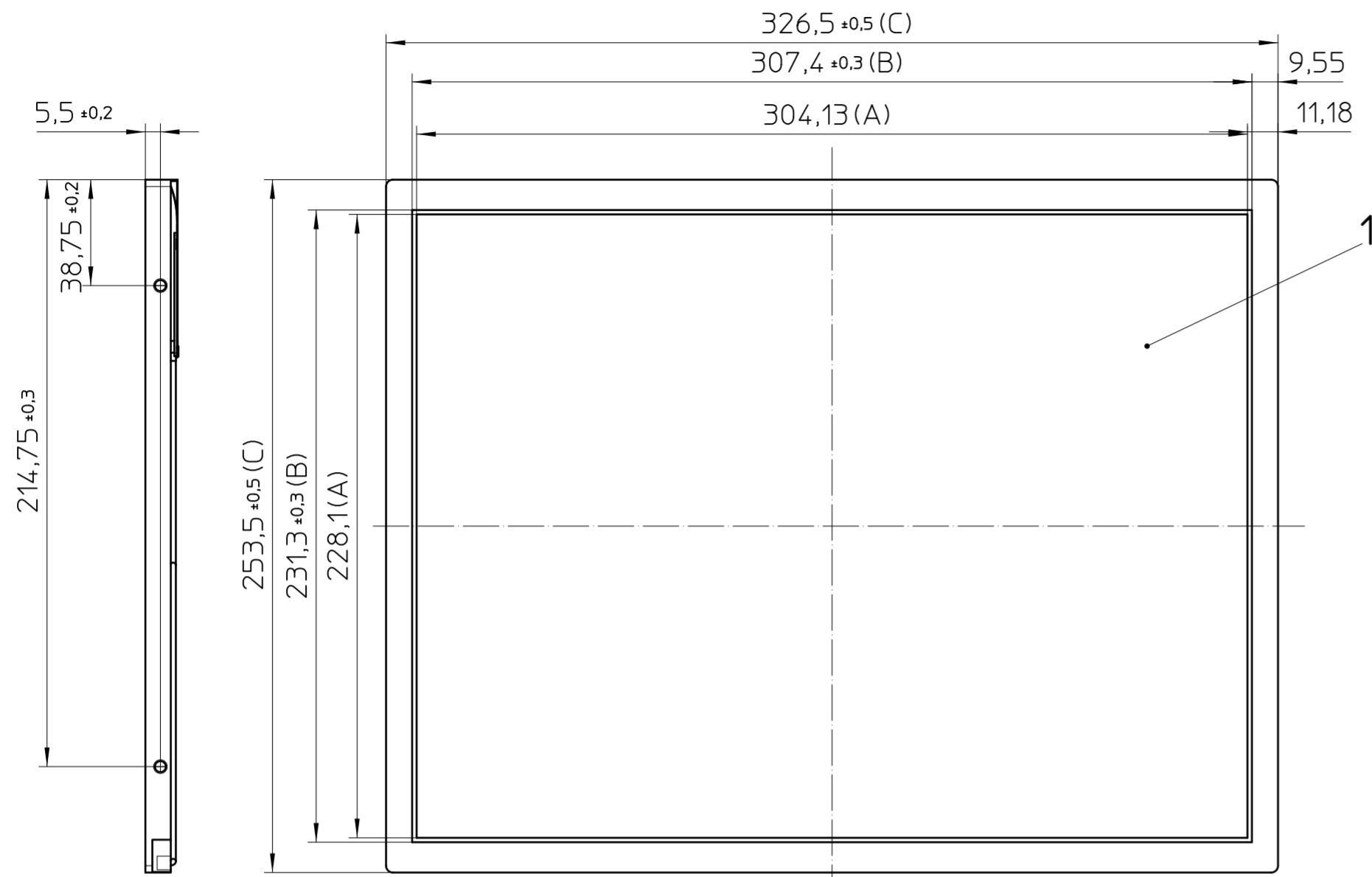


Transfer or duplication of this document as well as the utilisation or communication of its content are not permitted unless express consent is granted. Violations give rise to claims for damages. All rights reserved in case of patent, utility model or design patent registrations.

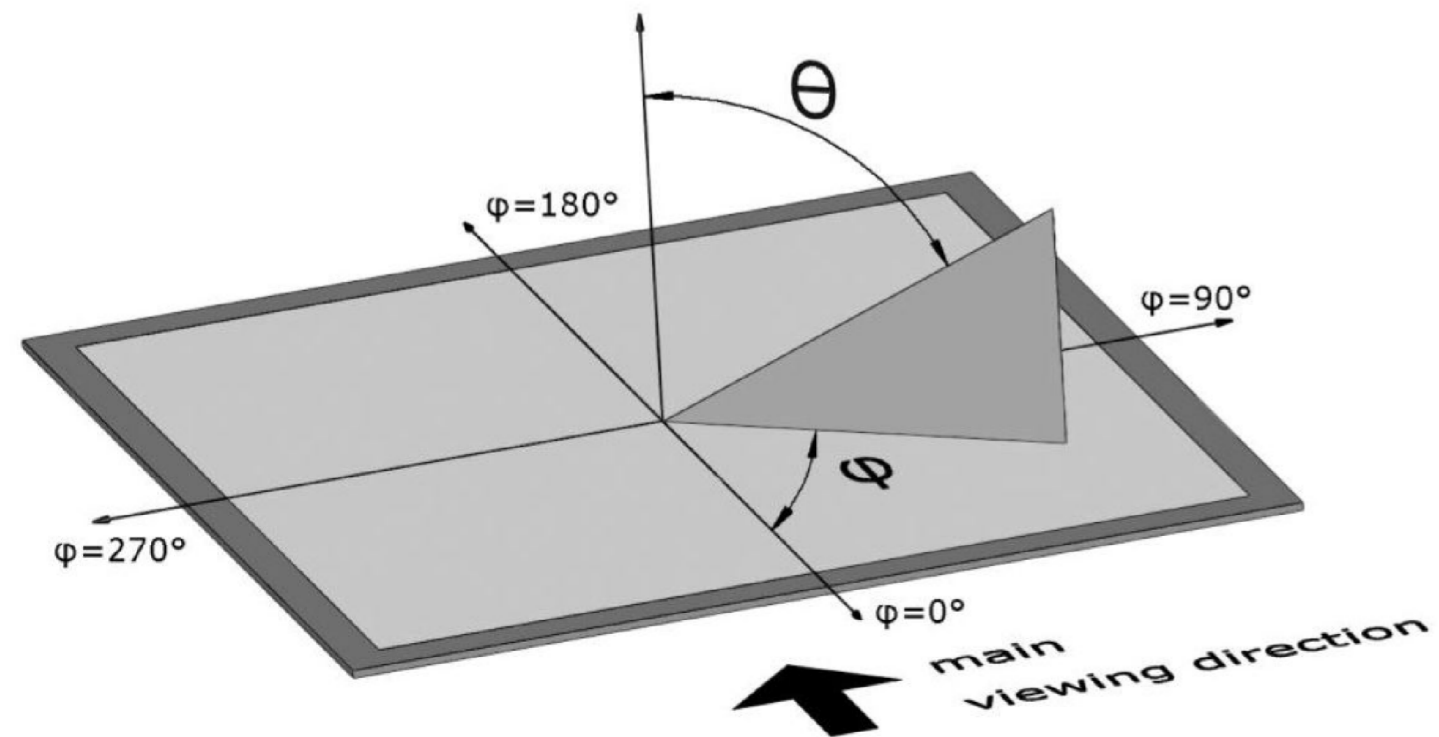
Weitergabe sowie Vervielfältigung dieses Dokuments, Verwertung und Mitteilung seines Inhalts sind verboten, soweit nicht ausdrücklich gestattet. Zuwiderhandlungen verpflichten zu Schadensersatz. Alle Rechte für den Fall der Patent-, Gebrauchsmuster- oder Designeintragung vorbehalten.



Main viewing direction

Optical characteristics

Viewing angle	Symbol	Condition	Minimum	Typical
	θ	$\theta(\text{Phi}=0^\circ)$	70°	80°
	$\theta(\text{Phi}=90^\circ)$	70°	80°	
	$\theta(\text{Phi}=180^\circ)$	70°	80°	
	$\theta(\text{Phi}=270^\circ)$	70°	80°	



General Information:

- Simplified representation
- Document excluded from change process
- Linear dimensions [mm]
- Web: www.phoenixcontact.com webcode: #0859

Additional information:

- A. Active area
 - B. Bezel opening
 - C. Outline
 - D. Connector CN2: MSB24038P5
 - E. Connector CN1: Socket 185083-20121
- For more information see data sheet.

D T 15,0 XGA L			DIN A2	document-No. / RI	date	scale
Pos.	QTY	Description	PHOENIX CONTACT	01044012 / 02	21.01.2019	1:2
1	1	DISPLAY		ident.-No.	document-type	
			description	TECDOC 2D_Productdrawing		
			page 1	of 1	D T 15,0 XGA L	