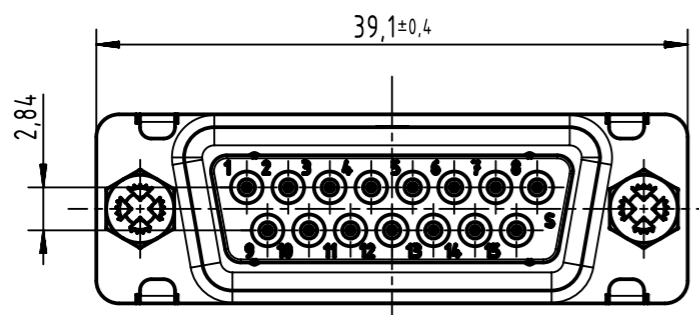
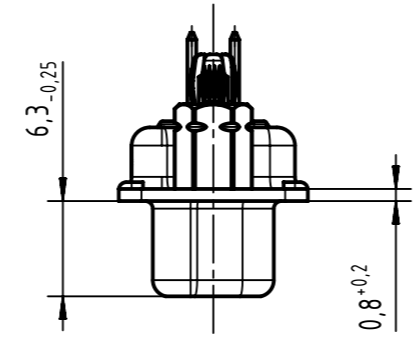
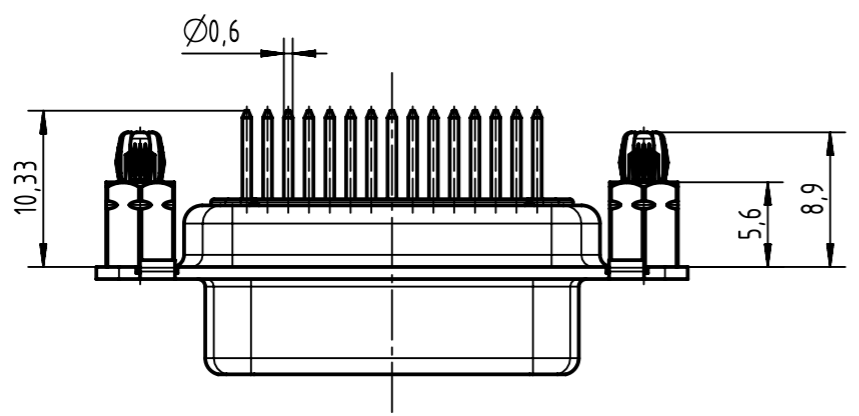
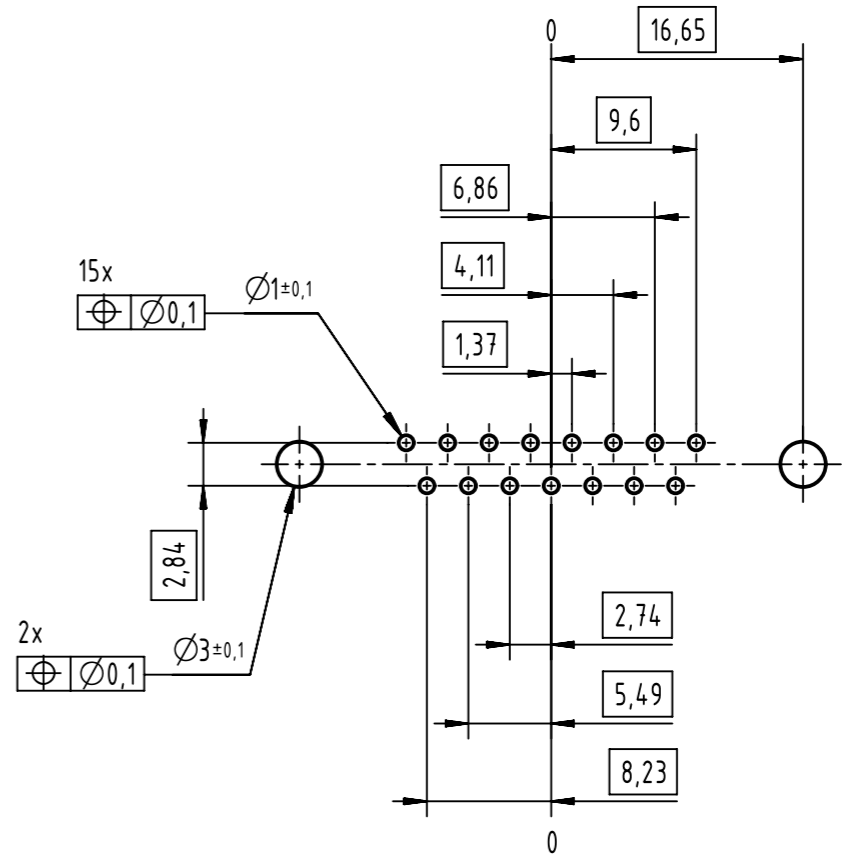


PCB layout view component side



	All rights reserved Department EC PD - FR HARTING Electronics GmbH D-32339 Espelkamp	All Dimensions in mm Original Size DIN A3	Scale 2:1	Free size tol.	Ref. Sub.
		Created by ZHUANGJ	Inspected by LUOK	Standardisation SCHREIER	Date 2020-08-12
Title D-Sub 15-pole MinD STR female BL nut M3 PL2		Type TB		Number 09672516701	
Doc-Key / ECM-Nr. 100906864/UGD/000/A 500000177376					Rev. A
Page 1/1					