

## Han-Eco 10B Outd-HSM1-w. DL-M32-glanded

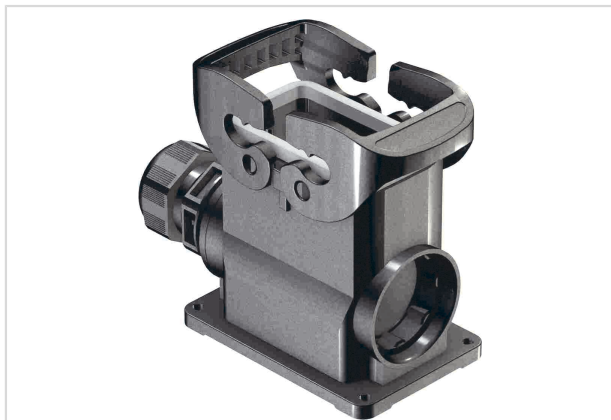


Image is for illustration purposes only. Please refer to product description.

|                    |                                                                                       |
|--------------------|---------------------------------------------------------------------------------------|
| Part number        | 19 43 310 0232                                                                        |
| Specification      | Han-Eco 10B Outd-HSM1-w. DL-M32-glanded                                               |
| HARTING eCatalogue | <a href="https://b2b.harting.com/19433100232">https://b2b.harting.com/19433100232</a> |

### Identification

|                             |                             |
|-----------------------------|-----------------------------|
| Category                    | Hoods/Housings              |
| Series of hoods/housings    | Han-Eco® B                  |
| Type of hood/housing        | Surface mounted housing     |
| Description of hood/housing | With integrated cable gland |

### Version

|              |                      |
|--------------|----------------------|
| Size         | 10 B                 |
| Version      | Side entry           |
| Cable entry  | 1x M32               |
| Locking type | Double locking lever |

### Technical characteristics

|                                        |                 |
|----------------------------------------|-----------------|
| Limiting temperature                   | -40 ... +125 °C |
| Number of relockings                   | ≥500            |
| Degree of protection acc. to IEC 60529 | IP66            |
| Clamping range                         | 13 ... 21 mm    |

### Material properties

|                         |                                          |
|-------------------------|------------------------------------------|
| Material (hood/housing) | Polyamide (PA)<br>Fibre-glass reinforced |
| Colour (hood/housing)   | RAL 9005 (jet black)                     |
| Material (seal)         | FPM                                      |
| Colour (seal)           | RAL 7001 (silver-grey)                   |



Pushing Performance  
Since 1945

## Material properties

|                                                            |                                                        |
|------------------------------------------------------------|--------------------------------------------------------|
| Material (locking)                                         | Polyamide (PA)<br>Fibre-glass reinforced               |
| Colour (locking)                                           | RAL 9005 (jet black)                                   |
| Material flammability class acc. to UL 94                  | V-0                                                    |
| Material flammability class acc. to UL 94 (locking levers) | V-0                                                    |
| RoHS                                                       | compliant with exemption                               |
| RoHS exemptions                                            | 6(c): Copper alloy containing up to 4 % lead by weight |
| ELV status                                                 | compliant with exemption                               |
| China RoHS                                                 | 50                                                     |
| REACH Annex XVII substances                                | Not contained                                          |
| REACH ANNEX XIV substances                                 | Not contained                                          |
| REACH SVHC substances                                      | Yes                                                    |
| REACH SVHC substances                                      | Lead                                                   |
| California Proposition 65 substances                       | Yes                                                    |
| California Proposition 65 substances                       | Lead                                                   |
| Fire protection on railway vehicles                        | EN 45545-2 (2020-08)                                   |
| Requirement set with Hazard Levels                         | R22 (HL 1-3)<br>R23 (HL 1-3)                           |

## Specifications and approvals

|                |                                                             |
|----------------|-------------------------------------------------------------|
| Specifications | IEC 61984<br>EN 45545-2 Fire protection on railway vehicles |
| CE             | Yes                                                         |

## Commercial data

|                                |                                          |
|--------------------------------|------------------------------------------|
| Packaging size                 | 1                                        |
| Net weight                     | 251 g                                    |
| Country of origin              | Germany                                  |
| European customs tariff number | 85389099                                 |
| GTIN                           | 5713140177864                            |
| eCl@ss                         | 27440202 Shell for industrial connectors |