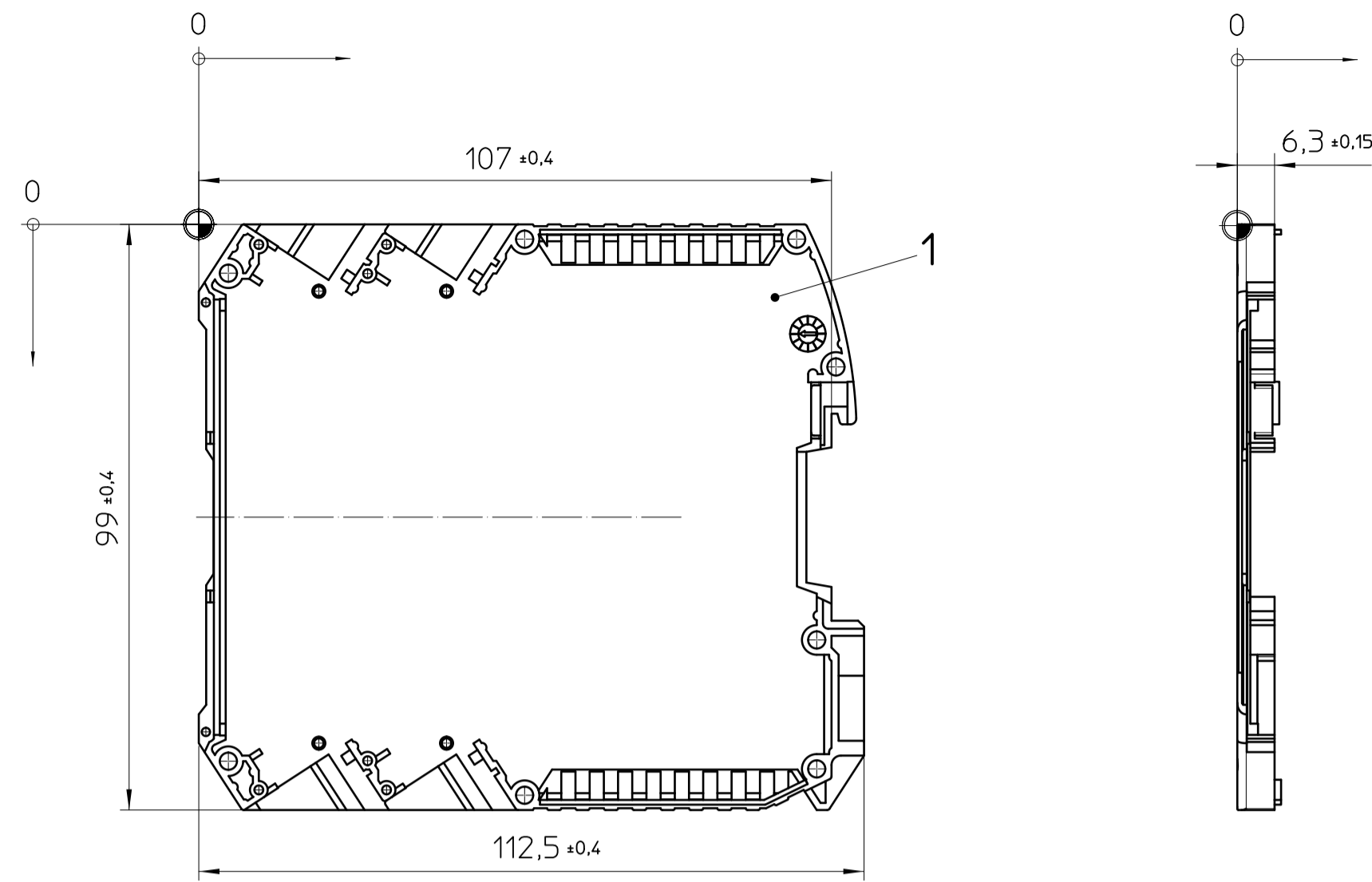
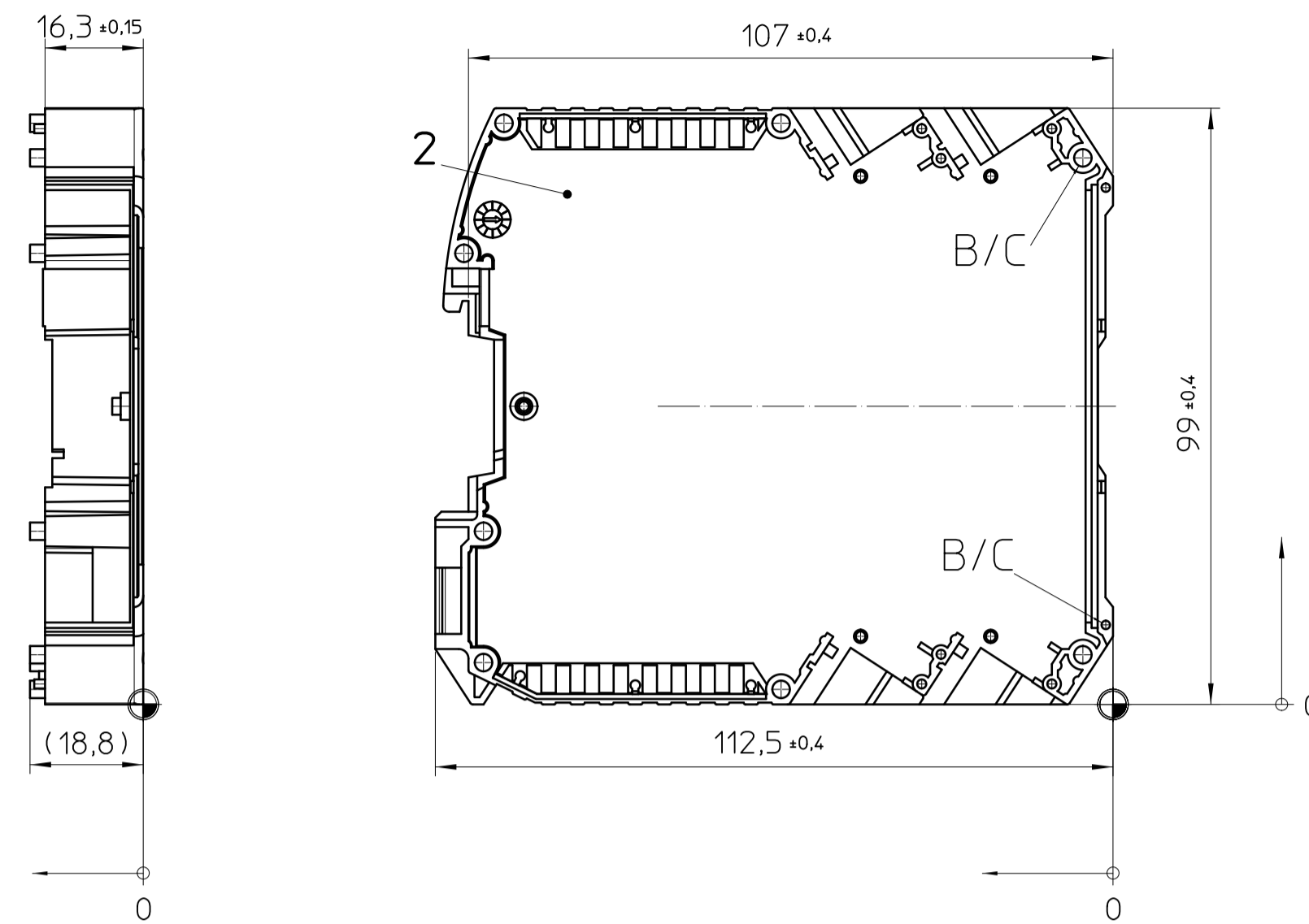


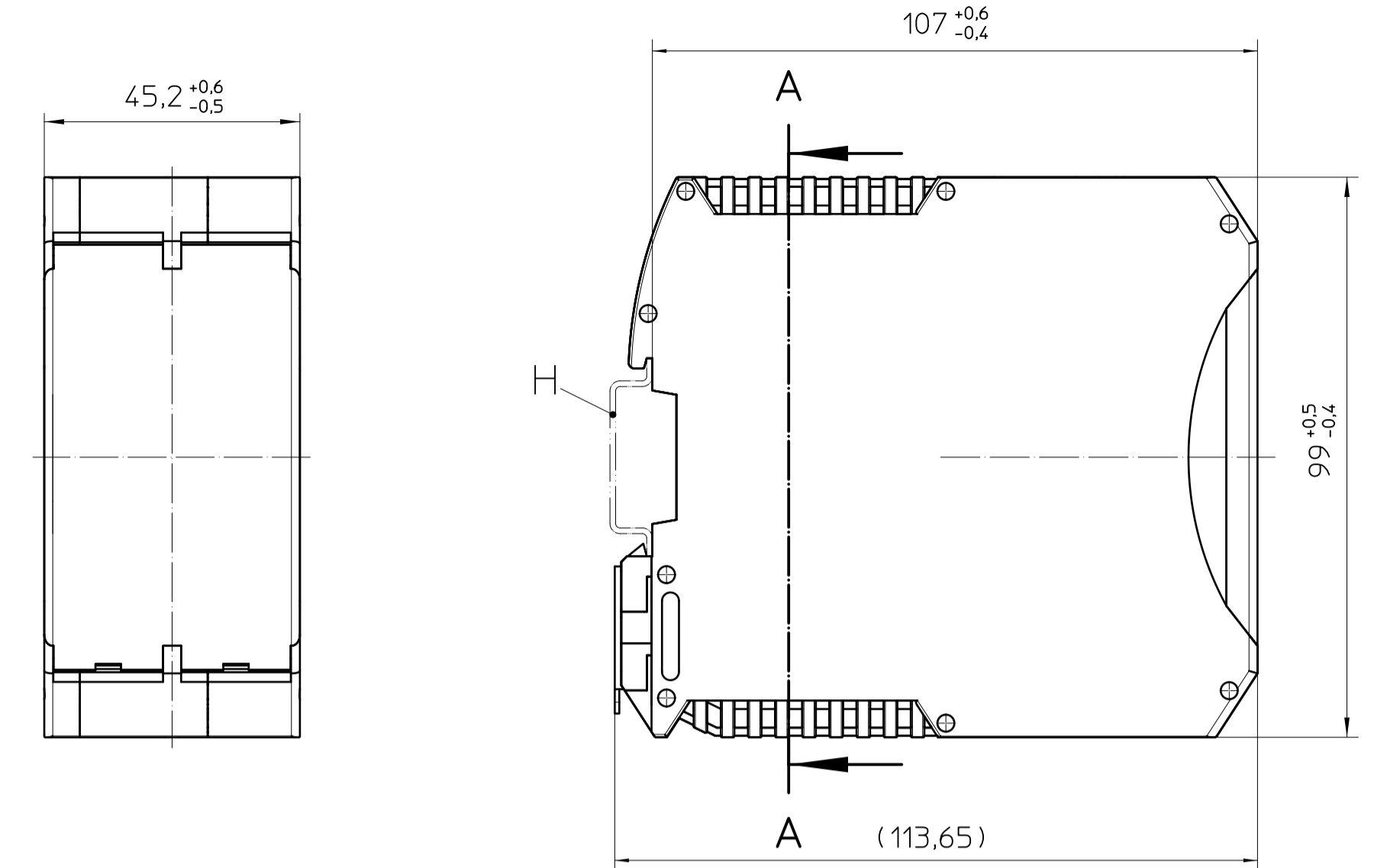
### HOUSING LEFT



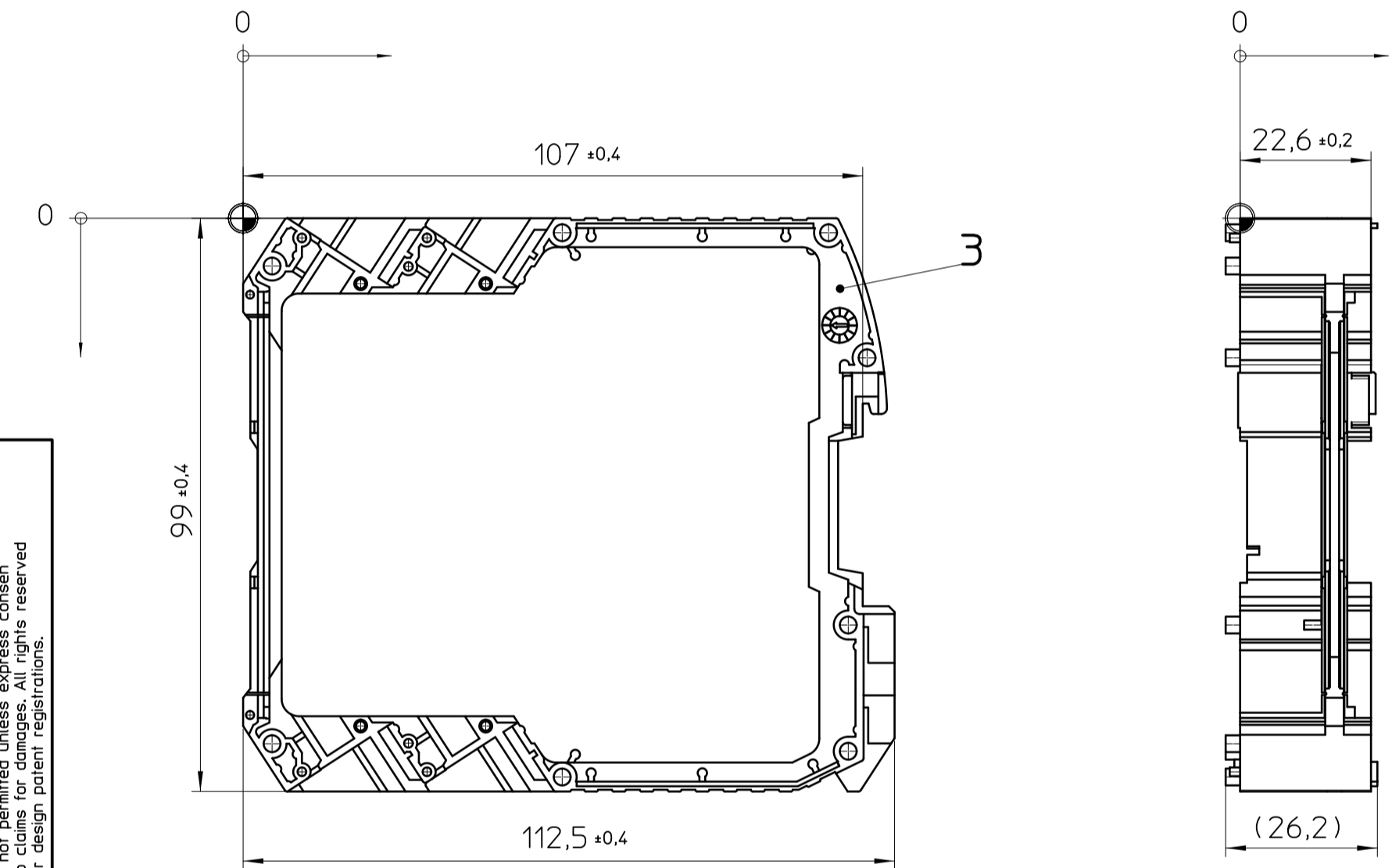
### HOUSING RIGHT



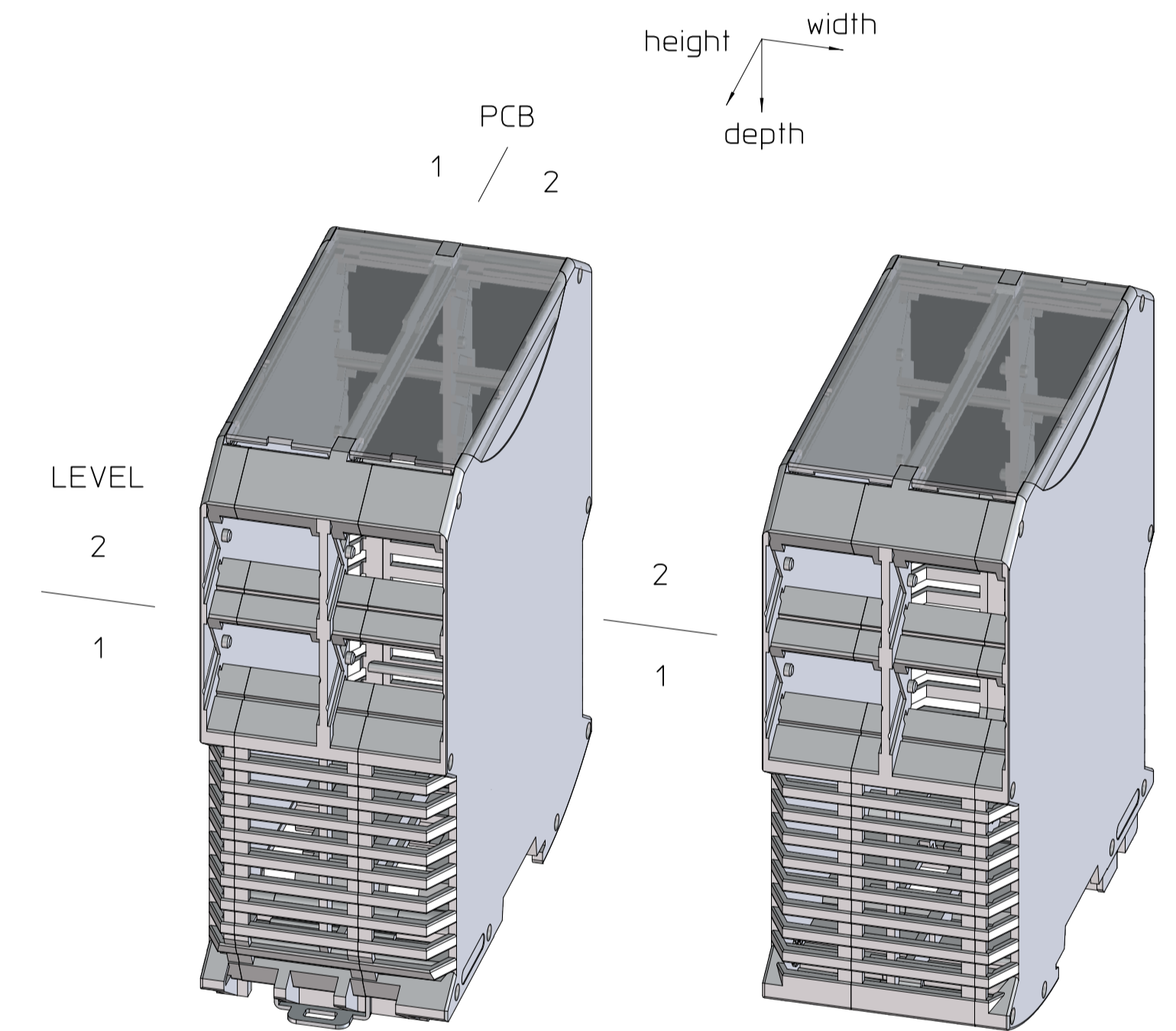
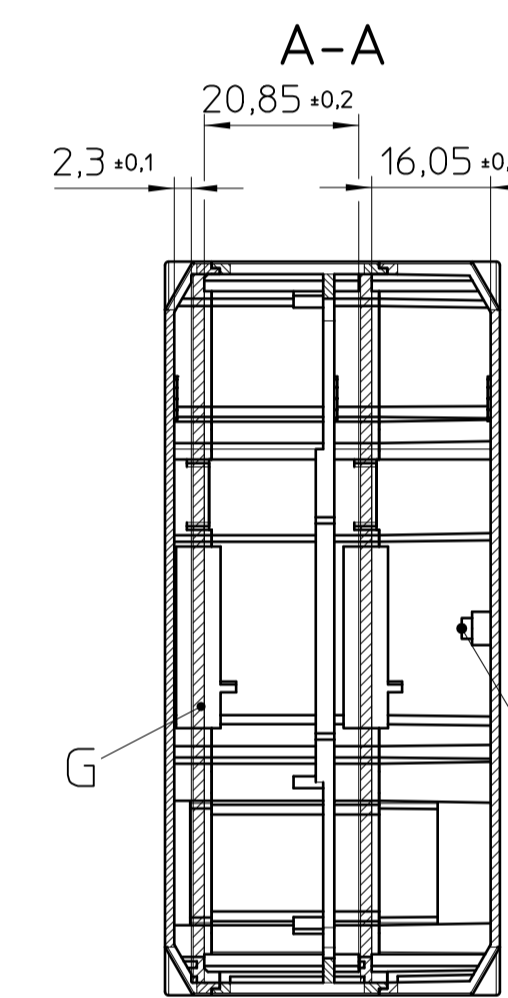
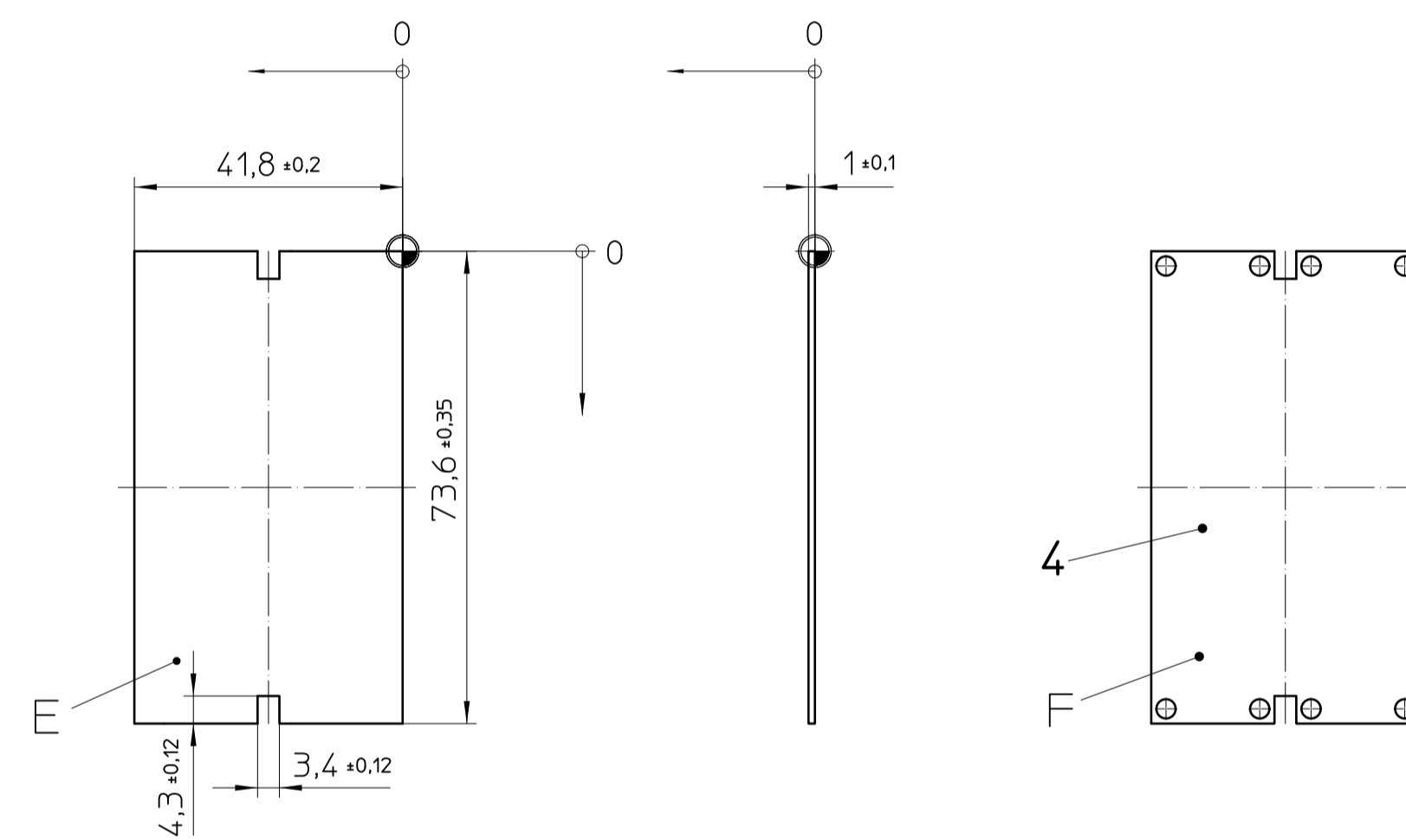
### Assembly example: ME MAX 45 LC 2-2



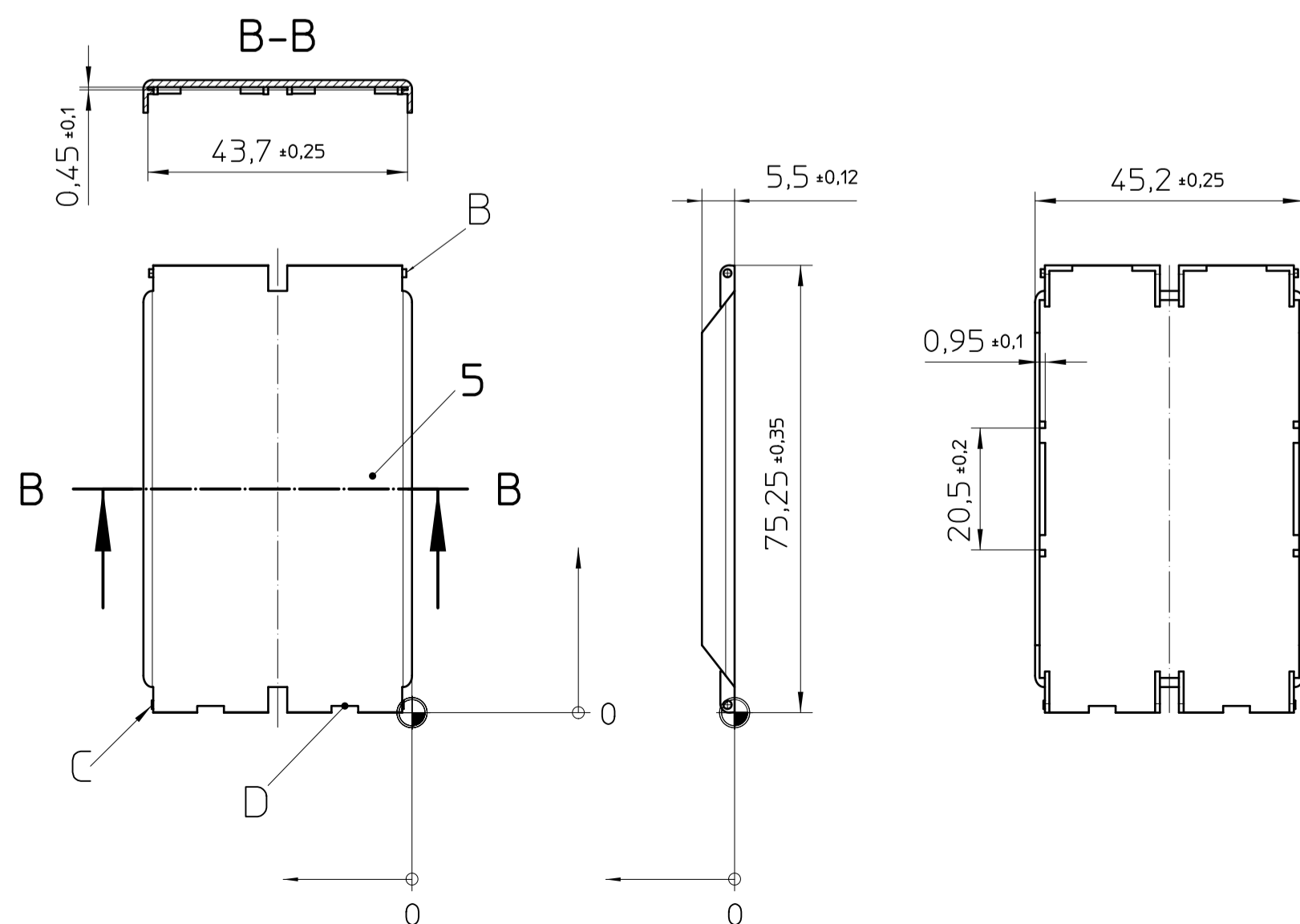
### HOUSING MIDDLE



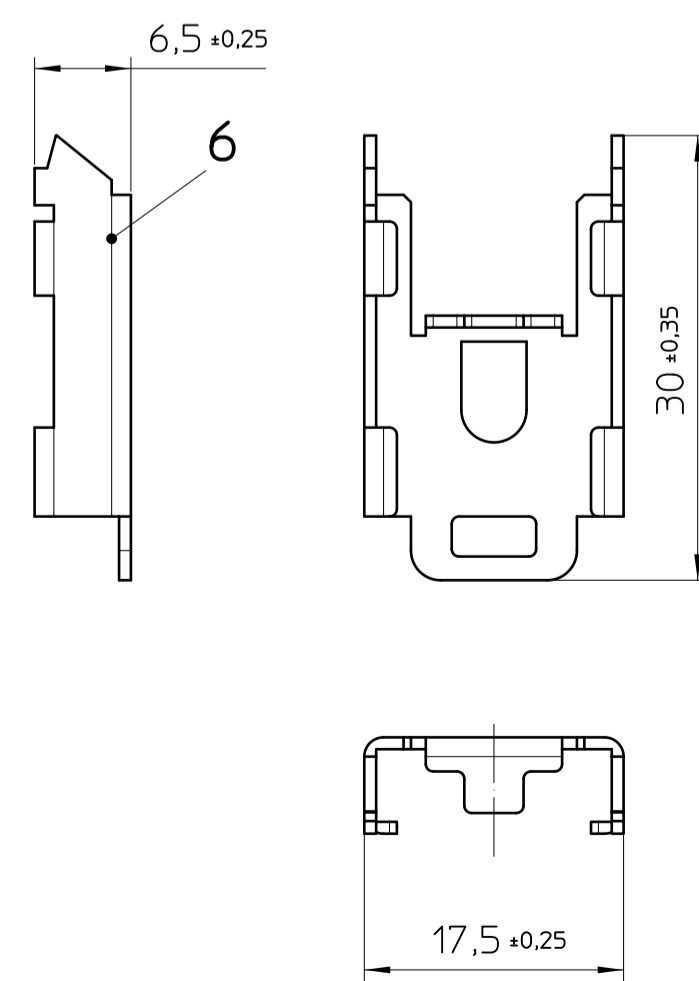
### FRONT PLATE



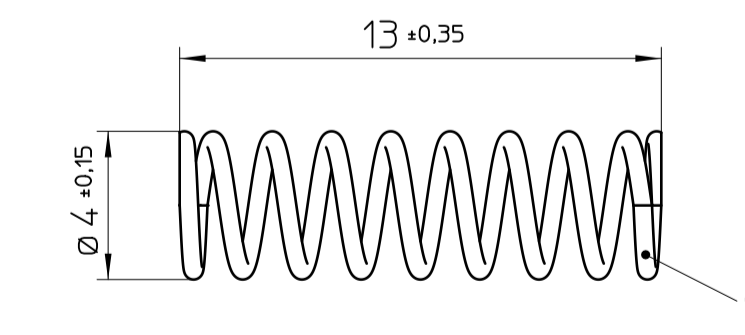
### HINGED COVER



### FOOT CATCH 2:1



### SPRING 5:1



General Information:  
 - Simplified representation, exemplary shown in gray.  
 - Document excluded from change process  
 - Dimensions in millimeters [mm], angles in degrees [°]  
 - Tolerances apply in a normal climate according to DIN EN ISO 291-23/50-2.  
 - PA plastic parts with about 2% (% by weight) moisture content.  
 - Workpiece zero point for mechanical processing  
 - Tolerances for mechanical processing are ISO 2768-mk  
 - Tolerances for printing DIN ISO 2768-m  
 - Machining radii min. R1, further on request  
 - Web: www.phoenixcontact.com

Additional Information  
 A. Attachment point for the optional PCB  
 B. Pivot bearing HINGED COVER  
 C. Locking HINGED COVER  
 D. Notch for locking release, by screw driver  
 E. Exposed side  
 F. Inner side  
 G. Recommended PCB outline on www.phoenixcontact.com webcode: #0512  
 H. Mounting rail like EN 60715: TH 35-7,5 or mounting rail TH 35-15x15 similar to EN 60715

KIT (not mounted)			
Pos.	QTY	Description	Material
1	1	HOUSING LEFT	PA
2	1	HOUSING RIGHT	PA
3	1	HOUSING MIDDLE	PA
4	1	FRONT PLATE	PA
5	1	HINGED COVER	PC
6	1	FOOT CATCH	STL
7	1	SPRING	STL

document-No. / Ri 00875001 / 04 date 05.11.2025 scale 1:1  
 ident.-No. 1322772 document-type TECDOC 2D\_Productdrawing  
 description ME MAX 45 LC 2-2 OG  
 page 1 of 1

Weitergabe sowie Vervielfältigung dieses Dokuments, Verwertung und Mitteilung seines Inhalts sind verboten, soweit nicht ausdrücklich gestattet. In allen Fällen vorbehalten die Rechte der Patente-, Gebrauchsmuster- oder Designschutzrechte.