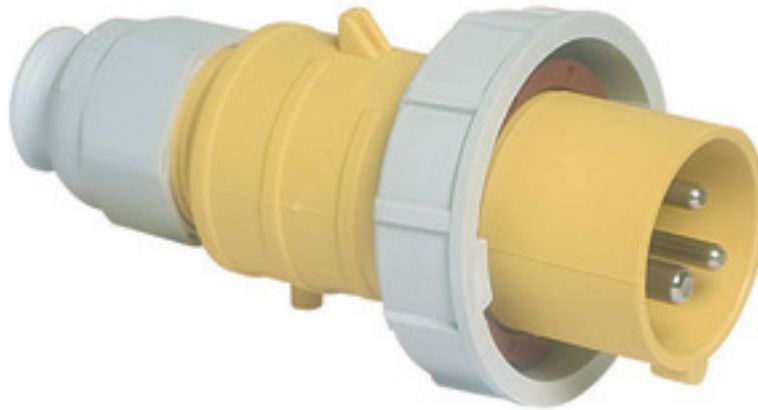


Plug - with screwless terminals, for harsh applications



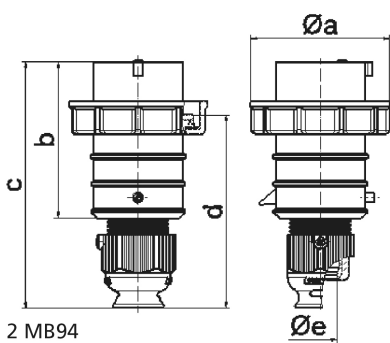
Product description	
BALS-Prd.-Nr	21408
EAN	4024941214087
Product category	QUICK-CONNECT TE plug
Current	32A
Number of poles	3p
Arrangement of phases	2P+PE
Position of earth contact	4 h
Voltage	100 - 130V~
Frequency	50/60Hz

Product description	
Protection degree	IP67
Colour code	yellow RAL 1012
Colour of appliance	Collar yellow RAL 1012, Bayonet ring grey RAL 7035, Cable gland grey RAL 7035, Housing cover yellow RAL 1012
Connection design	screwless spring-clamp technology
Maximum conductor size	6,0 qmm
Cable entry	Cable gland
Height	180mm
Width	94mm
Depth	94mm
Material of enclosure	Polyamide
Contacts	The contact carrier is made of high temperature resistant material, the contacts are brass nickel plated

Additional technical properties	
	For cable diameter from 11 up to max. 23,5 mm, Multi-Grip cable gland with gasket, integrated cable clamp and additional water evacuation openings

Logistics data	
Weight/pcs	0.272 kg / Piece
Packaging	Bag
Content amount	1 ST
EAN	4024941214087

Logistics data	
Length	94 mm
Width	94 mm
Height	180 mm
Weight	0.273 kg
Volume	1,590.48 ccm
Packaging	Carton
Content amount	10 ST
EAN	4024941968287
Length	325 mm
Width	217 mm
Height	210 mm
Weight	2.926 kg
Volume	13,588.4 ccm



Ampere Polzahl	16 3	16 4	16 5	32 3	32 4	32 5
a ø	70,0	78,0	86,0	94,0	94,0	101,0
b	95,0	95,0	97,0	118,0	118,0	117,0
c	145,0	145,0	152,0	178,0	178,0	181,0
d	111,0	111,0	119,0	136,0	136,0	138,5
e ø	18,0	18,0	21,0	23,0	23,0	27,0
Leiter mm² min	1	1	1	2,5	2,5	2,5
Leiter mm² max	2,5	2,5	2,5	6	6	6