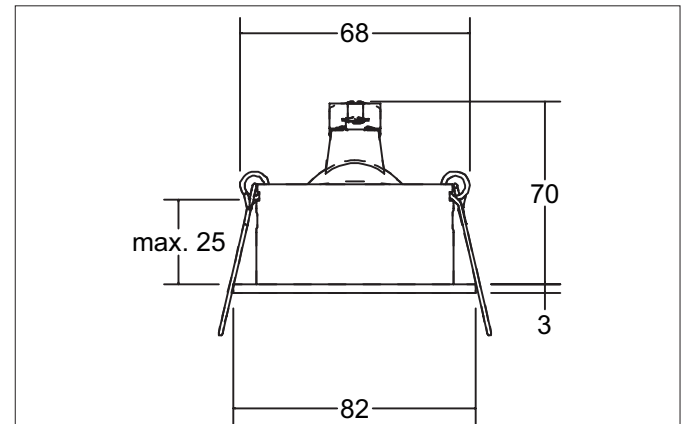


Recessed spot, GX5,3
Article no. 0063.62

Light.
For Generations.



Tender

Recessed spot, GX5,3, alu, Round. In a compact design, for installation in tool-less rapid assembly systems. Lamp holder: GX5.3, Mounting method: Recessed mounting, Place of installation: Ceiling-mounted, Material: Aluminium, Degree of protection: according to DIN EN 60529 IP20, Protection class: (EN 61140) III, Voltage: 12V, Power: 50W, Amount of light sources / fittings: 1.0 Qty, Adjustability: Pivoted, With control gear: No, Dimmable: Depending on type of control gear, Control: Dimming depending on driver.

| Article data | |
|--------------------|----------------------|
| Article no. | 0063.62 |
| GTIN | 4251433916604 |
| Short description | Recessed spot, GX5,3 |
| Material | Aluminium |
| Colour | Alu |
| Type of surface | Matt |
| Shape | Round |
| Outer diameter | 82 mm |
| Built-in diameter | 68 mm |
| Installation depth | 70 mm |
| Hight | 3 mm |
| Weight | 0.089 kg |

Recessed spot, GX5,3
Article no. 0063.62

Light.
For Generations.

| Operating technology of the luminaire | |
|---------------------------------------|-----------------------------------|
| System output | 50 W |
| Voltage type | AC/DC |
| AC nominal voltage max | 12 V |
| Frequenz max. | 50 Hz |
| Lamp | for LED-retrofill lamp |
| Lamp holder | GX5.3 |
| Protection class | III |
| Degree of protection | IP20 |
| Dimmable | Depending on type of control gear |
| Control | Dimming depending on driver |
| Bulb change possible | Yes |

| Mounting technology | |
|------------------------|---|
| Mounting method | Recessed mounting |
| Place of installation | Ceiling-mounted |
| Adjustability | Pivoted |
| Swivel angle | 25° |
| Max. ceiling thickness | 25 mm |
| Further references | No cover with thermal insulation material |
| Material cover | Without cover |
| Circlip | Without circlip |

| Packing data | |
|-------------------------|---|
| Gross weight | 0.119 kg |
| Length of packaging | 85 mm |
| Packaging width | 55 mm |
| Packaging height | 85 mm |
| Disposal at end of life | This product must not be disposed of with household waste. You are obliged, to dispose of such electrical waste separately. By disposing of electrical waste and other old or defective electronics separately, you support recycling or other forms of re-use. In that way you help to take care and to avoid that harmful substances get into the environment. |

Recessed spot, GX5,3
Article no. 0063.62

Light.
For Generations.

| Compatible LED-modules | | | | | | |
|------------------------|--------|------------|--------------------|---------------|---------|-----------------|
| Article no. | Power | Beam angle | Colour temperature | Luminous flux | Input | Hight LED-Modul |
| 12925003 | 3 W | 38° | 2700 K | 290 lm | 350 mA | 40 mm |
| 12926003 | 3 W | 38° | 3000 K | 310 lm | 350 mA | 40 mm |
| 12925004 | 3 W | 38° | 4000 K | 340 lm | 350 mA | 40 mm |
| 12923383 | 6 W | 38° | 2700 K | 600 lm | 350 mA | 32 mm |
| 12923603 | 6 W | 60° | 2700 K | 570 lm | 350 mA | 32 mm |
| 12924383 | 6 W | 38° | 3000 K | 680 lm | 350 mA | 32 mm |
| 12924603 | 6 W | 60° | 3000 K | 660 lm | 350 mA | 32 mm |
| 12924384 | 6 W | 38° | 3500 K | 680 lm | 350 mA | 32 mm |
| 12924604 | 6 W | 60° | 3500 K | 660 lm | 350 mA | 32 mm |
| 12923384 | 6 W | 38° | 4000 K | 720 lm | 350 mA | 32 mm |
| 12923604 | 6 W | 60° | 4000 K | 700 lm | 350 mA | 32 mm |
| 12920183 | 6 W | 18° | 3000 K | 640 lm | 350 mA | 31 mm |
| 12920243 | 6 W | 24° | 3000 K | 690 lm | 350 mA | 31 mm |
| 12920003 | 6 W | 38° | 3000 K | 670 lm | 350 mA | 31 mm |
| 12920603 | 6 W | 60° | 3000 K | 620 lm | 350 mA | 31 mm |
| 12920184 | 6 W | 18° | 4000 K | 685 lm | 350 mA | 31 mm |
| 12920244 | 6 W | 24° | 4000 K | 740 lm | 350 mA | 31 mm |
| 12920004 | 6 W | 38° | 4000 K | 720 lm | 350 mA | 31 mm |
| 12920604 | 6 W | 60° | 4000 K | 660 lm | 350 mA | 31 mm |
| 12963383 | 6 W | 38° | 3000 K - 1800 K | 460 lm | 350 mA | 32 mm |
| 12963603 | 6 W | 60° | 3000 K - 1800 K | 430 lm | 350 mA | 32 mm |
| 12953003 | 12 W | 38° | 2700 K | 1,120 lm | 350 mA | 70 mm |
| 12954003 | 12 W | 38° | 3000 K | 1,210 lm | 350 mA | 70 mm |
| 12954004 | 12 W | 38° | 3500 K | 1,240 lm | 350 mA | 70 mm |
| 12953004 | 12 W | 38° | 4000 K | 1,250 lm | 350 mA | 70 mm |
| 12965003 | 12 W | 38° | 3000 K - 1800 K | 930 lm | 350 mA | 70 mm |
| 12983003 | 12.5 W | 38° | 3000 K | 920 lm | 350 mA | 95 mm |
| 18101001 | 13.8 W | 45° | RGB | | 12.00 V | 52 mm |
| 12823003 | 8 W | 60° | 2850 K | 900 lm | 24.00 V | 50 mm |
| 12843004 | 8 W | 60° | 2000 K - 6500 K | 700 lm | 24.00 V | 50 mm |
| 18438002 | 8 W | 60° | RGB+WW | 400 lm | 24.00 V | 50 mm |