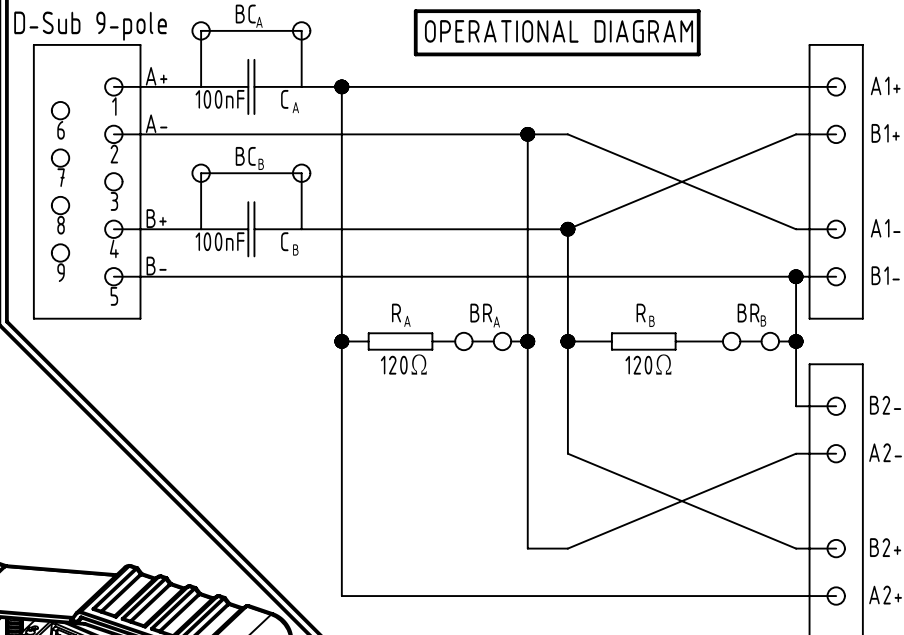
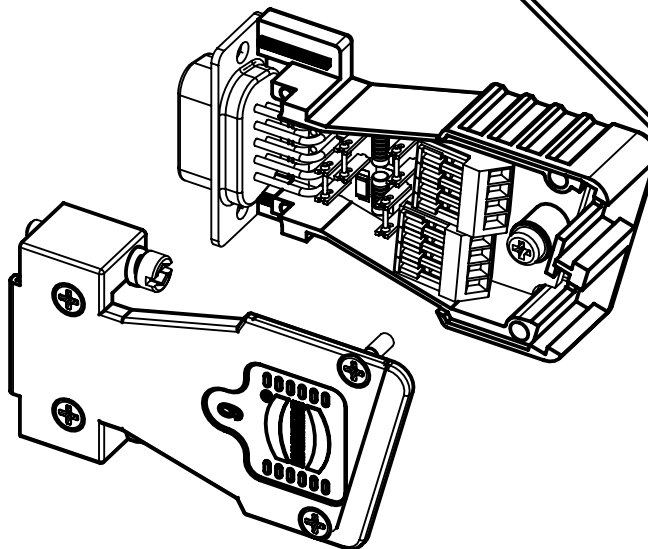
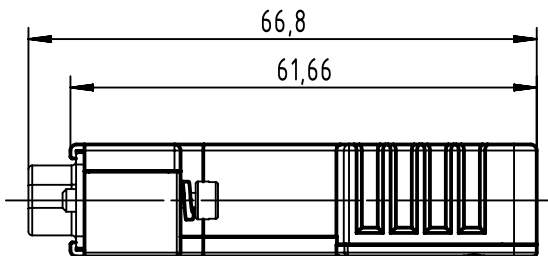
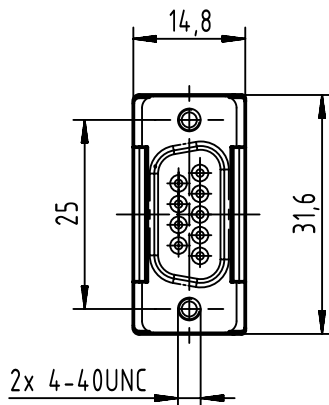
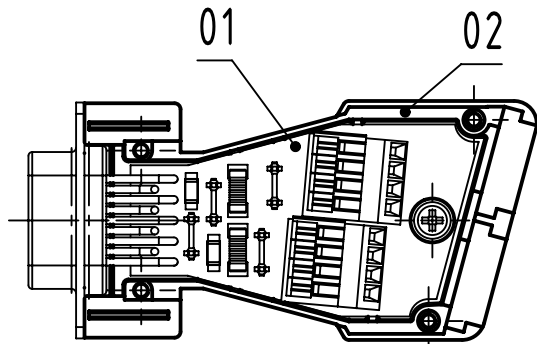


View without cover



in set inclusive

Number	Description
2	Crimp flange 6,5-7,5
2	Crimp ferrule 10,0-11,0
1	blanking piece 9-37
1	LABEL line A,B

	All rights reserved Department EL PD	All Dimensions in mm Original Size DIN A4		Scale 1:1	Free size tol.	Ref.
		Created by ZHUANGJ	Inspected by LUOK	Standardisation ROEBEN	Date 2021-08-04	State Final Release
Title InduCom 9 MVB/WTB 4-40 UNC female		Doc-Key / ECM-Nr. 100075722/UGD/023/B 500000200533				
Type TB		Number 66630095022		Rev. B	Page 1/1	

6663 009 5022 777	PL2	Small batch
6663 009 5022	PL2	Standard batch
Part number	Performance level	Remark