

Module Clamp w/o strain relief (2 pcs)

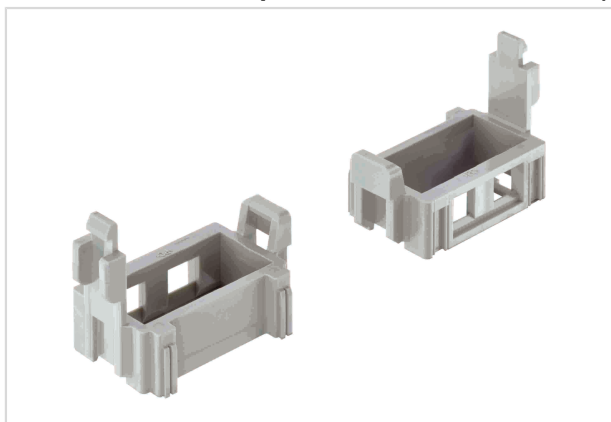


Image is for illustration purposes only. Please refer to product description.

Part number	09 14 000 0301
Specification	Module Clamp w/o strain relief (2 pcs)

Identification

Category	Accessories
Series	Han-Modular®
Type of accessory	Module locking system

Version

Pack contents	2 per unit
---------------	------------

Material properties

RoHS	compliant
ELV status	compliant
China RoHS	e
REACH Annex XVII substances	Not contained
REACH ANNEX XIV substances	Not contained
REACH SVHC substances	Yes
REACH SVHC substances	Potassium 1,1,2,2,3,3,4,4,4-nonafluorobutane-1-sulphonate
Fire protection on railway vehicles	EN 45545-2 (2020-08)
Requirement set with Hazard Levels	R22 (HL 1-3) R23 (HL 1-3)

Commercial data

Packaging size	1
Net weight	8.64 g
Country of origin	Germany



Pushing Performance
Since 1945

Commercial data

European customs tariff number	85389099
GTIN	5713140018150
eCl@ss	27440392 Connector (accessories)
