

ACCESSORIES

- SURFACE MOUNT KIT
- SURFACE MOUNT KIT VALUE
- SUSPENSION KIT
- RECESSED MOUNT FRAME
- RECESSED MOUNT CLIPS
- SECURITY BRACKETS
- SECURITY KIT



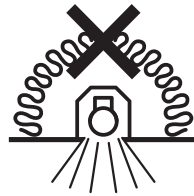
LEDVANCE
BIOLUX Human Centric
Lighting Zigbee System

LEDVANCE
VIVARES
Zigbee System

Zigbee
3.0
Systems

*

1x	2x	3x	...	nx	B25	B16	B10	C32	C25	C16	C10
					n=114	n=74	n=46	n=147	n=143	n=74	n=46



LEDVANCE GmbH
Steinerne Furt 62
86167 Augsburg, Germany
www.ledvance.com

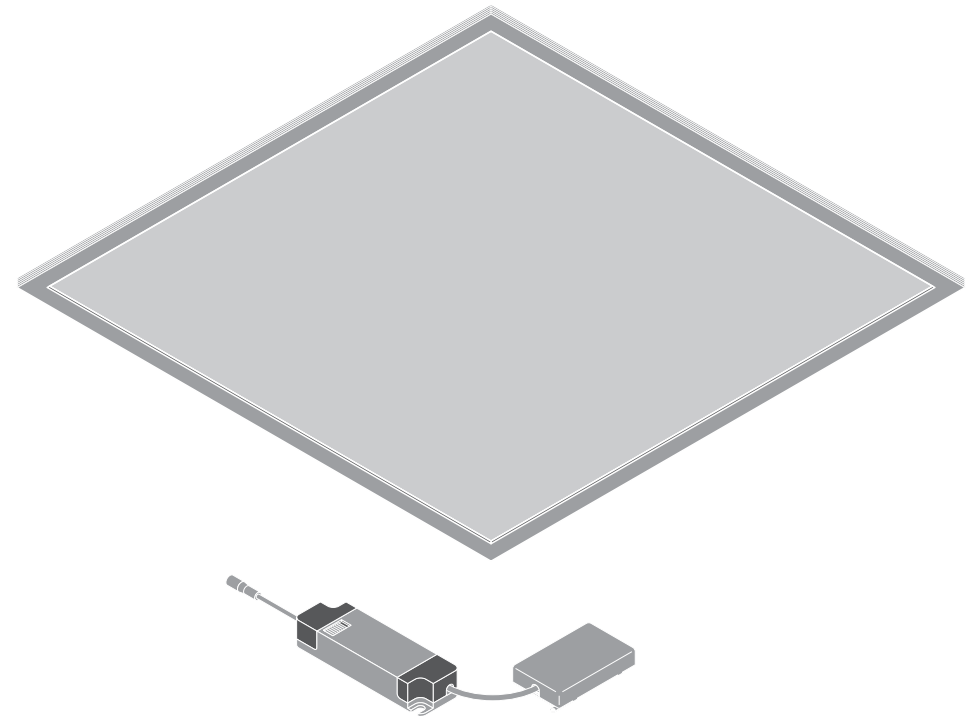
C10449057
G11145819
28.07.22

© LEDVANCE Ltd, Aquila House
Delta Crescent, Westbrook, Warrington
WA5 7NR, United Kingdom



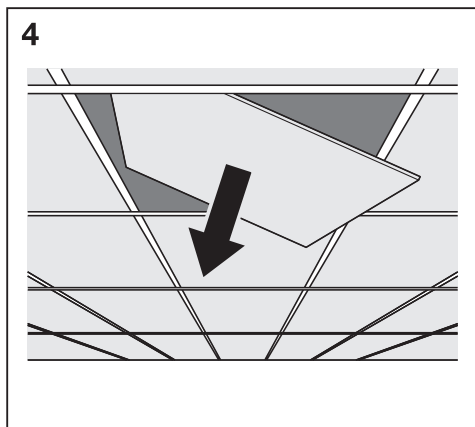
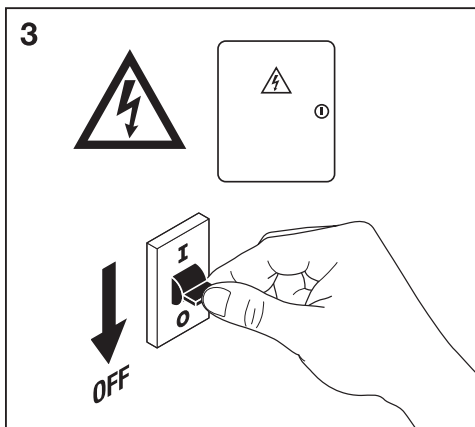
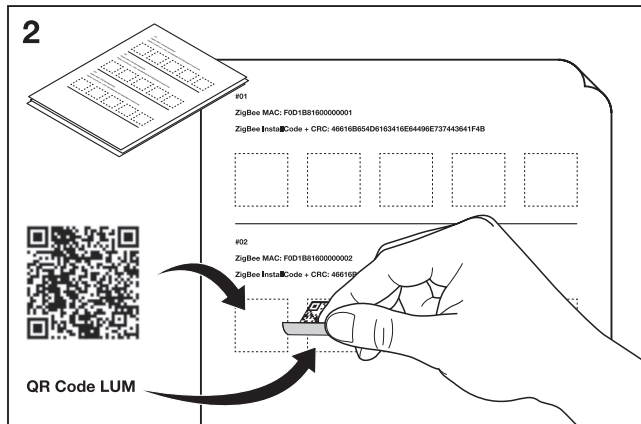
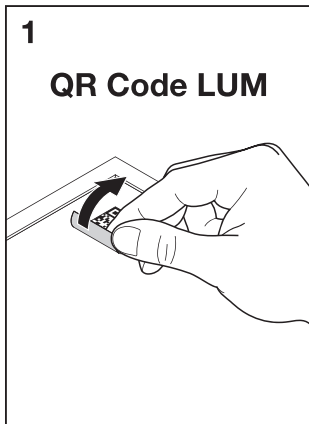
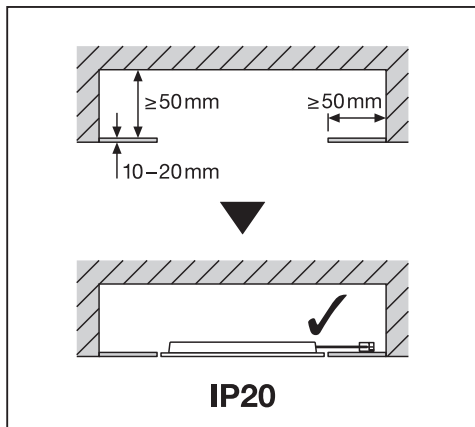
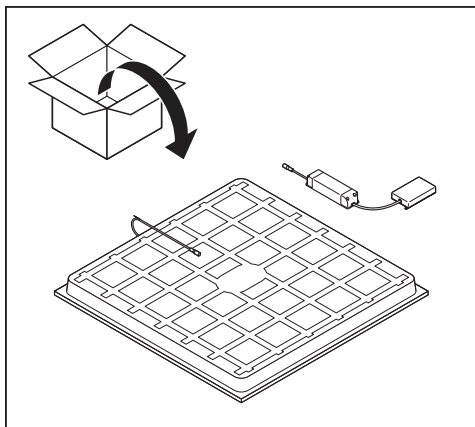
BIOLUX HCL PANEL 600 ZIGBEE

BIOLUX HCL PANEL 625 ZIGBEE

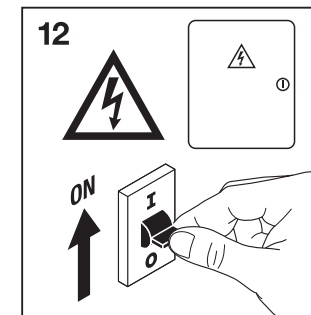
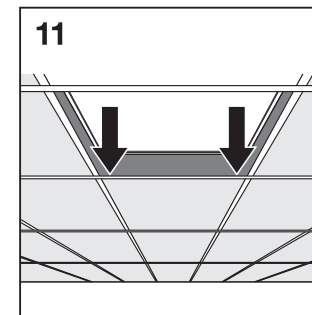
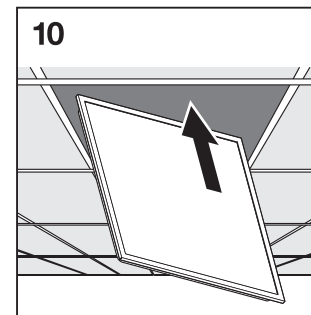
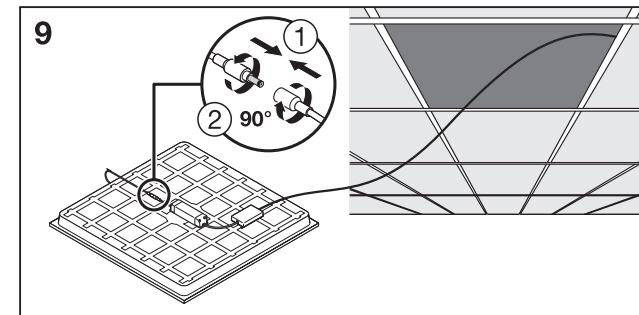
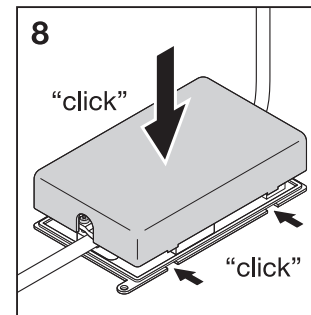
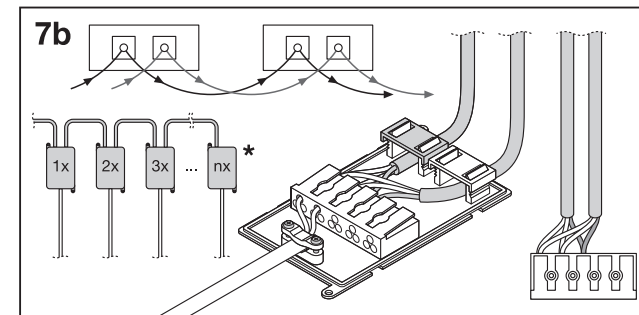
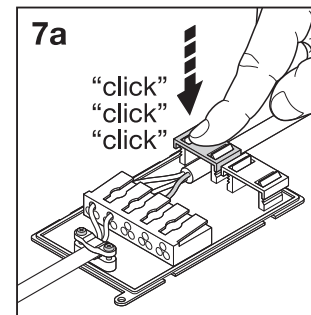
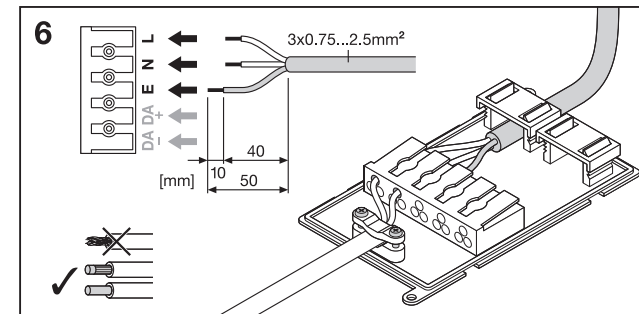
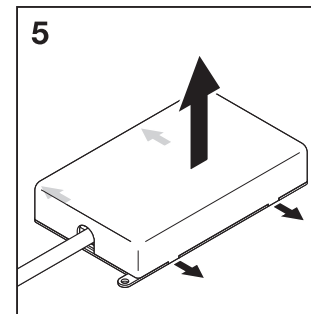


	EAN	I x w x h [mm]	W	V _{AC}	Hz	Im	Im/W	K
BIOLUX HCL PL 600 S 40W TW ZB	4058075724549	595x595x11	40	220-240 V	50/60 Hz	4400	110	2700 - 6500
BIOLUX HCL PL 625 S 40W TW ZB	4058075724563	620x620x11	40	220-240 V	50/60 Hz	4400	110	2700 - 6500

	EAN	IP	IK	∇	R _a	Δ (°C)	PF	👤
BIOLUX HCL PL 600 S 40W TW ZB	4058075724549	20	02	90°	≥90	-20...+40	> 0.9	3.1 kg
BIOLUX HCL PL 625 S 40W TW ZB	4058075724563	20	02	90°	≥90	-20...+40	> 0.9	3.4 kg



2



3