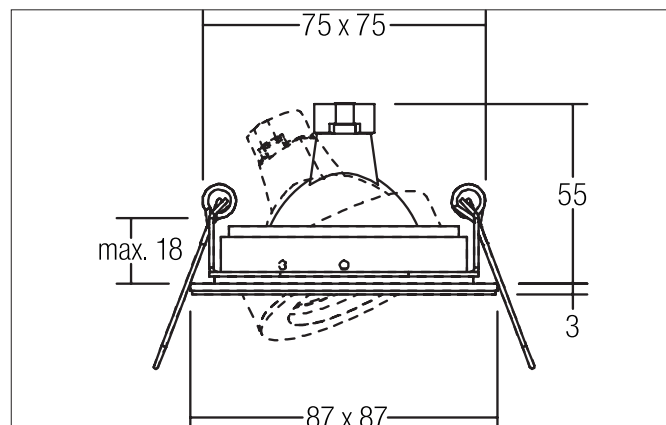
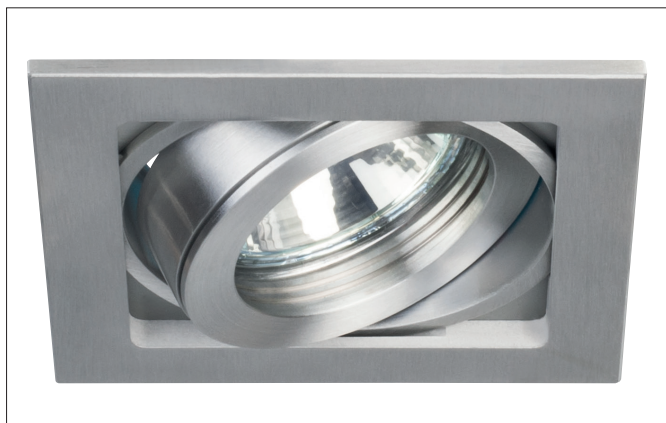


Recessed spot, GX5,3

Artikel-Nr. 20001250

Licht.
Für Generationen.**Tender**

Recessed spot, GX5,3, alu, square. In a compact design, for installation in tool-less rapid assembly systems Lamp holder: GX5.3, Mounting method: Recessed mounting, Place of installation: Ceiling-mounted, Material: Aluminium, Degree of protection: according to DIN EN 60529 IP20, Protection class: (EN 61140) III, Voltage: 12V, Power: 50W, Adjustability: Rotable and pivoted, With control gear: No, Control: Dimming depending on driver.

Article data	
Artikel-Nr.	20001250
GTIN	4250047765202
Kurzbeschreibung	Recessed spot, GX5,3
Material	Aluminium
Colour	Alu
Type of surface	Matt
Shape	square
Built-in width	75 mm
Built-in length	75 mm
Installation depth	55 mm
Length	87 mm
Width	87 mm
Aufbauhöhe	3.5 mm
weight	0.147 kg

Recessed spot, GX5,3

Artikel-Nr. 20001250

Licht.
Für Generationen.

Operating technology of the luminaires	
System output	50 W
Voltage type	AC/DC
AC nominal voltage max	12 V
Frequenz max.	50 Hz
Lamp	for LED-retrofill lamp
Lamp holder	GX5.3
Protection class	III
Degree of protection	IP20
Control	Dimming depending on driver
Leuchtmittelwechsel möglich	ja

Mounting technology	
Mounting method	Recessed mounting
Place of installation	Ceiling-mounted
Adjustability	Rotable and pivoted
Swivel angle	30°
Rotation angle	355°
Further references	No cover with thermal insulation material
Material cover	Without cover
Circlip	Without circlip

Packing data	
Gross weight	0.273 kg
Length of packaging	120 mm
Packaging width	120 mm
Packaging height	100 mm