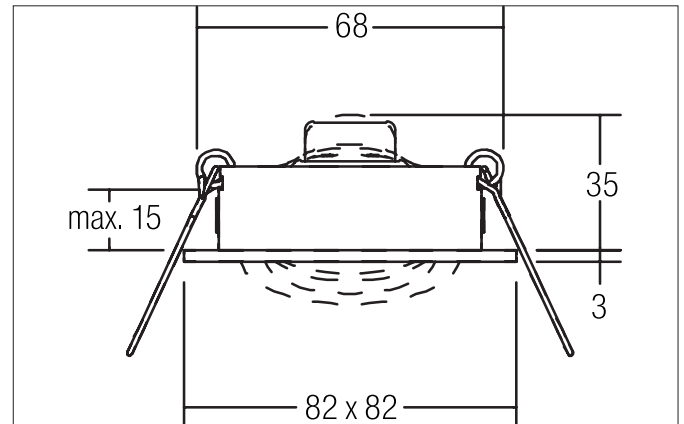


**Ceiling recessed speaker, DA 68 mm**

Article no. 43004020

Licht.  
Für Generationen.

IP20

**Tender**

Ceiling recessed speaker, DA 68 mm, chrome. In a compact design, for installation in tool-less rapid assembly systems. Nominal / music load capacity: 3 / 4 W, impedance: 20 Ohm. Up to 5 speakers can be connected in parallel to a channel of a Hifi amplifier. Sound pressure level: 1 W / 1 m: 82 dB (at nominal output of 87 dB), Transmission range (-3 db): 200 - 16,000 Hz, Transmission range (-10 db): 150 - 20,000 Hz, Net weight: 0.1 kg. Connection using 2-core cable with connecting terminals. Also available with cover in champagne matte or black on request. Mounting method: Recessed mounting, Place of installation: Ceiling-mounted, Material: Aluminium / Steel, Degree of protection: according to DIN EN 60529 IP20, Adjustability: Pivoted.

Article data	
Article no.	43004020
GTIN	4251433907008
Kurzbeschreibung	Ceiling recessed speaker, DA 68 mm
Material	Aluminium / Steel
Colour	Chrome
Type of surface	Glossy
Built-in diameter	68 mm
Installation depth	35 mm
Length	82 mm
Width	82 mm
weight	0.123 kg

**Ceiling recessed speaker, DA 68 mm**  
Article no. 43004020

Licht.  
Für Generationen.

Packing data	
Gross weight	0.17 kg
Length of packaging	85 mm
Packaging width	43 mm
Packaging height	84 mm