

## Wall mounting socket outlet, fused - housing dimensions 460x180, with residual current circuit breaker



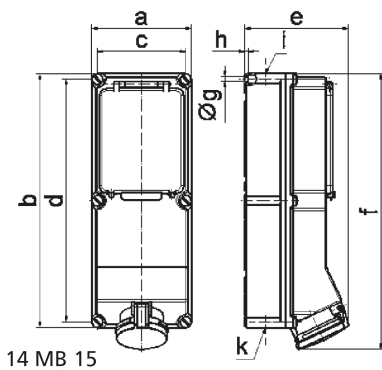
Product description	
BALS-Prd.-Nr	15164
EAN	4024941151641
product category (PG)	TE wall mounting socket outlet, fused
current (A)	63A
number of poles (P99)	5p
number of poles (P)	3p+N+PE
position of earth contact (H)	6 h
voltage (V)	200/346 up to 240/415V

Product description	
frequency (HZ)	50 and 60Hz
protection degree (SA)	IP44
colour code 1 (KF1)	red RAL 3000
Colour of appliance	Operating window smoky topaz, Hinged lid red RAL 3000, Housing screws grey RAL 7035, Housing bottom grey RAL 7035, Housing top grey RAL 7035
connection design (AT)	screw terminal as box terminal with Kontex-contact
maximum conductor size (LQ)	25.0 qmm
cable entry (KE)	top entry M40 bottom entry M40/M32
Height	500mm
Width	180mm
Depth	189mm
dimension of enclosure (GG)	460x180 mm (HxW)
material of enclosure (GM)	Polycarbonate
contact	The contact carrier is made of high temperature resistant material, the contacts are brass nickel plated

Additional technical properties	
	The cable entry is one at top and two at bottom open
	with 4 pole 63/0.3A RCCB

Logistics data	
Weight/pcs	3.406 kg / Piece

Logistics data	
Packaging	Carton
Content amount	1 ST
EAN	4024941151641
Length	560 mm
Width	215 mm
Height	260 mm
Weight	3.868 kg
Volume	26,400 ccm



Ampere	63	63				
Polzahl	4	5				
a	180,0	180,0				
b	460,0	460,0				
c	160,0	160,0				
d	440,0	440,0				
e	182,0	182,0				
f	498,0	498,0				
g ø	8,3	8,3				
h	6,5	6,5				
i	M40	M40				
k	M32/40	M32/40				