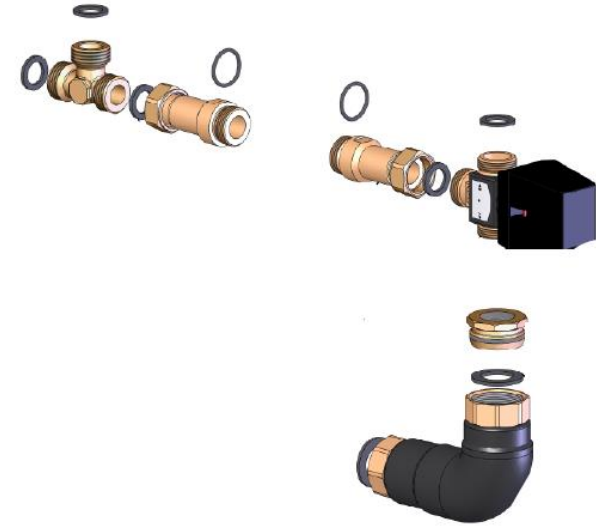
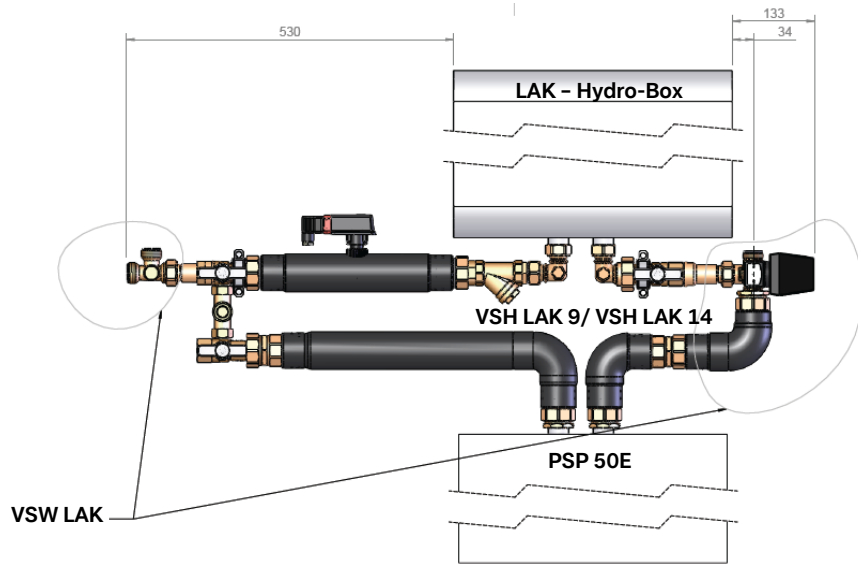


# VSW LAK

## Montagehinweis / Installation instructions / Instructions d'installation / Istruzioni di montaggio



Hydraulischer Anschluss Hydraulic connection Raccordement hydraulique Collegamento idraulico	Elektrischer Anschluss / Electrical connection / connexion électrique / connessione elettrica													
	Regler Controller Régulateur Regolatore	Stellmotor Actuator Servomoteur Servomotore												
	<b>N: X2/N</b> N1-J22/Out6													
	<b>L: X2/L</b>	<table border="0"> <tr> <td>N</td> <td>bu</td> <td>N</td> <td>2</td> </tr> <tr> <td>L</td> <td>bk</td> <td>Y</td> <td>6</td> </tr> <tr> <td></td> <td>bn</td> <td>L</td> <td>3</td> </tr> </table>	N	bu	N	2	L	bk	Y	6		bn	L	3
N	bu	N	2											
L	bk	Y	6											
	bn	L	3											

