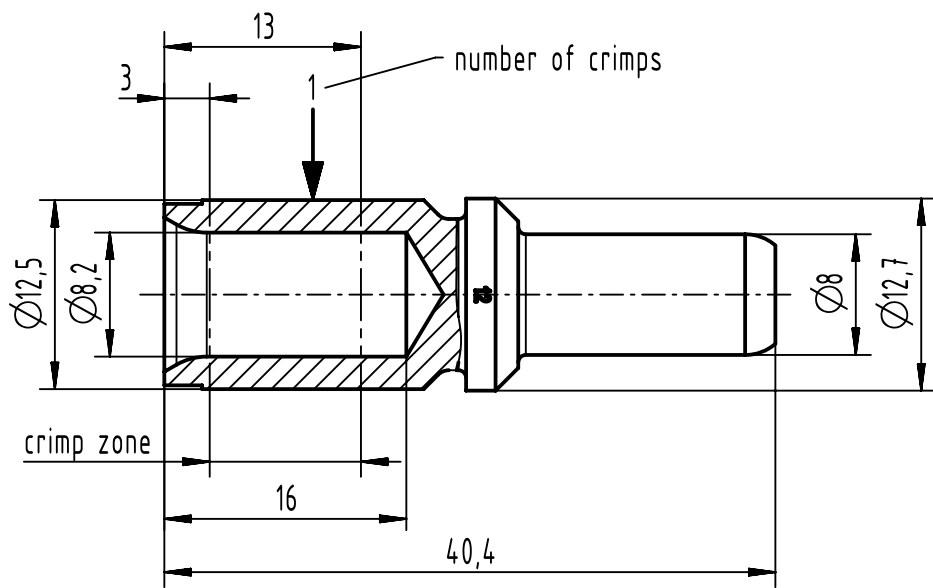


A

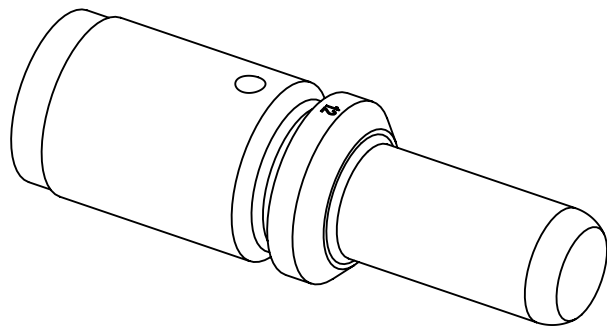
B

C

D



assembly notes see catalog
 crimp zone acc. to DIN EN 46235; indicator 12
 for stranded fine wire acc. to VDE 0295 class5/ IEC 60228 class 5
 wire gauge: 35 mm²
 stripping length: 16 mm



	All Dimensions in mm Original Size DIN A4	Scale 2:1		Free size tol.		Ref.		
		Created by HELLMANN		Inspected by NICHTERLEIN		Standardisation SAP_WFRT		Date 2022-10-11
	All rights reserved		Department EL PD		State Final Release		Doc-Key / ECM-Nr. 100895894 / UGD/007/B 500000223389	
	HARTING D-32339 Espelkamp		Title Han TC100 male contact 35 mm ² (Han K6/6)		Type TB		Number 09 11 000 6529	
							Rev. B	Page 1/1