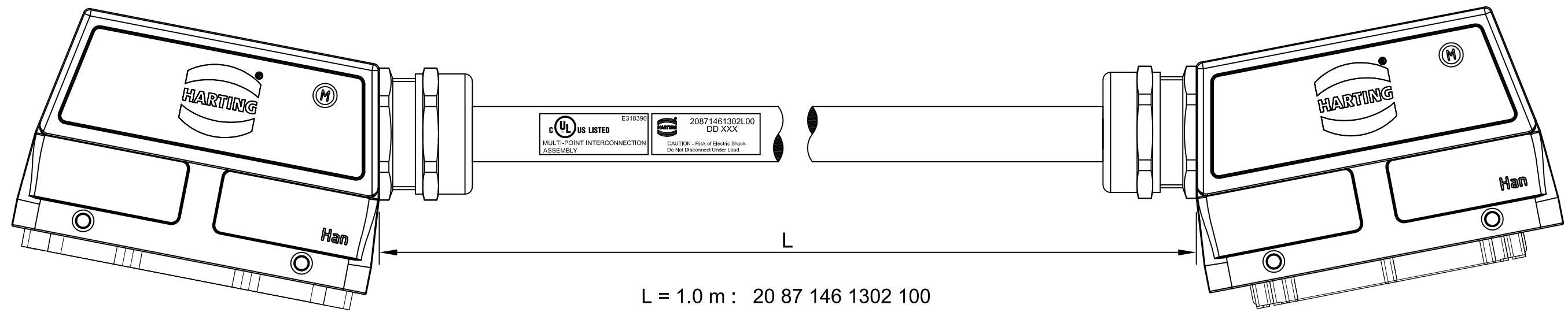


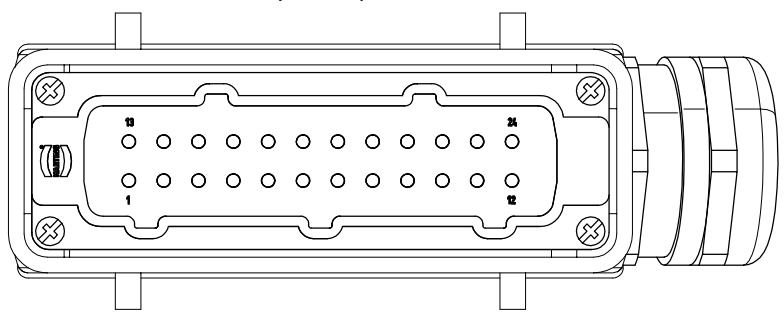
6 5 4 3 2 1



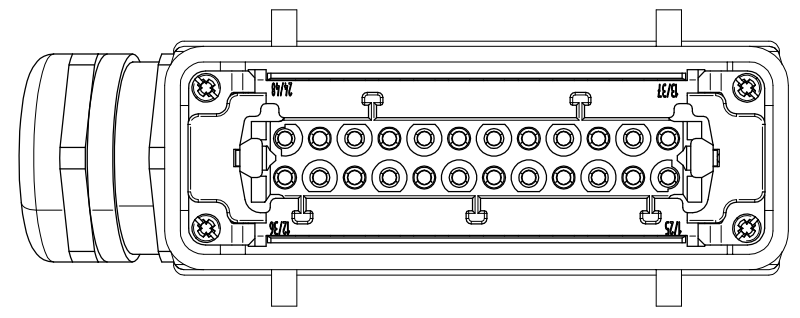
L = 1.0 m : 20 87 146 1302 100  
 L = 2.0 m : 20 87 146 1302 200

\* If a different length is required, contact your local HARTING office for part numbers and support.

MATING FACE (male)



MATING FACE (female)



PIN-OUT

MALE INSERT	CABLE	FEMALE INSERT
PIN 1	#1 (BLACK)	PIN 1
PIN 2	#2 (BLACK)	PIN 2
PIN 3	#3 (BLACK)	PIN 3
PIN 4	#4 (BLACK)	PIN 4
PIN 5	#5 (BLACK)	PIN 5
PIN 6	#6 (BLACK)	PIN 6
PIN 7	#7 (BLACK)	PIN 7
PIN 8	#8 (BLACK)	PIN 8
PIN 9	#9 (BLACK)	PIN 9
PIN 10	#10 (BLACK)	PIN 10
PIN 11	#11 (BLACK)	PIN 11
PIN 12	#12 (BLACK)	PIN 12
PIN 13	#13 (BLACK)	PIN 13
PIN 14	#14 (BLACK)	PIN 14
PIN 15	#15 (BLACK)	PIN 15
PIN 16	#16 (BLACK)	PIN 16
PIN 17	#17 (BLACK)	PIN 17
PIN 18	#18 (BLACK)	PIN 18
PIN 19	#19 (BLACK)	PIN 19
PIN 20	#20 (BLACK)	PIN 20
PIN 21	#21 (BLACK)	PIN 21
PIN 22	#22 (BLACK)	PIN 22
PIN 23	#23 (BLACK)	PIN 23
PIN 24	#24 (BLACK)	PIN 24
PE	GREEN/YELLOW	PE

Notes:  
 1. Contacts use crimp style termination.

DESCRIPTION	REV	DATE	NAME	HARTING PART NUMBER
				20 87 146 1302 L00
				DESCRIPTION
				UL2237 Cable Assembly Han 24 E, side-entry, 2-lever
				DRAWING NUMBER
				20871461302L00
				REFERENCE
				UL2237 ASSEMBLIES
				SHEET 1/1
				REVISION
				A

Standard HARTING tolerances apply unless otherwise specified.  
 This drawing is property of HARTING Manufacturing Inc. No exploitation or transfer of information contained herein is permitted without written consent / agreement of H.M.

HARTING INC. OF NORTH AMERICA  
 1370 BOWES ROAD  
 ELGIN, IL 60123 PH: (847) 741-1500



D  
C  
B  
A