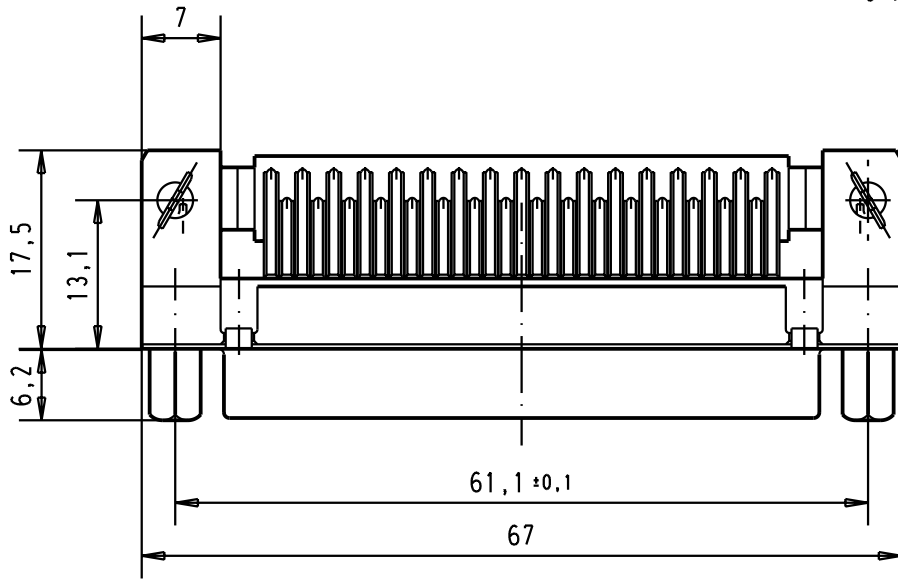
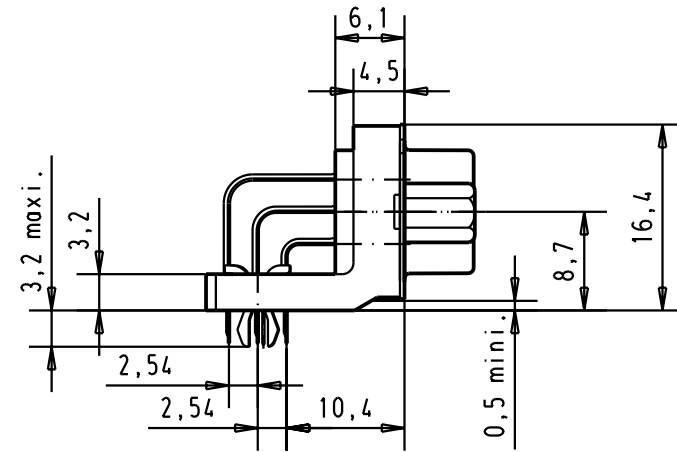
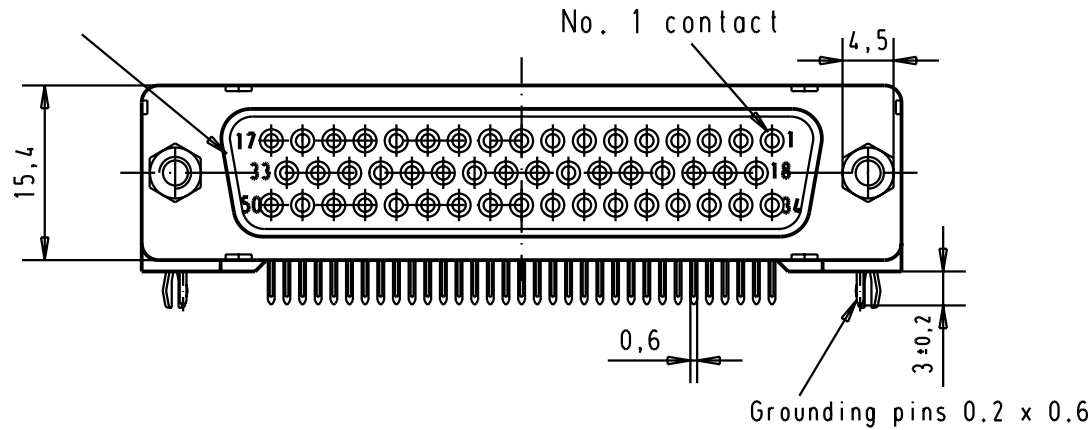
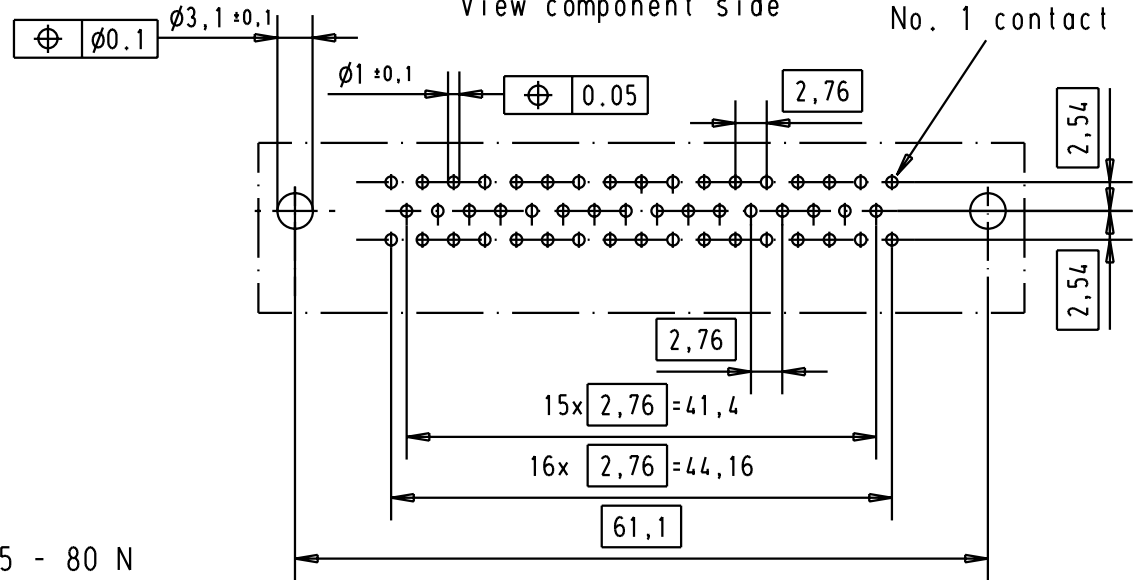


Mating face according to MIL-C-24308 / DIN 41 652 / CECC 75301-802





Mounting force on Printed board : 25 - 80 N

Printed board layout (1,6 ± 0,2 thick)  
View component side



A

09 66 552 6633	M3	2								 All Dim. in mm Orig. Size DIN A 4	D-Sub female angled 50 poles with solder pins, screw-lock, board lock and grounding pins	Maßstab/ Scale  1,5:1
09 66 552 7633	M3	3										
09 66 552 5633	M3	0,76 µm Au										
09 66 552 6613	4-40 UNC	2										
09 66 552 7613	4-40 UNC	3										
09 66 552 5613	4-40 UNC	0,76 µm Au	31084	04/SEP/02	YT							
Part number	screw-lock	Performance level	Mod.	Dat.	Name	HARTING EURL F-95972 Paris						
											TB 09 66 552 X6X3	Blatt/ Page 1 /
										Sub.		